

TARGET SHOOTING NEW ZEALAND INCORPORATED



CONSTITUTION

1 November 2023

Section		Page
1	Constitution	2
2	Indoor Rules	23
3	Outdoor Rules	46
4	Air Rifle Rules	62
5	Benchrest Rules	71

SECTION 1 – CONSTITUTION	3
1.1 NAME OF ASSOCIATION.....	3
1.2 PURPOSE OF ASSOCIATION.....	3
1.3 POWERS OF ASSOCIATION	3
1.4 MEMBERSHIP.....	3
1.5 OFFICERS AND EXECUTIVE.....	5
1.6 MANAGEMENT	5
1.7 ELECTION OF OFFICERS	5
1.8 EXECUTIVE MANAGEMENT.....	6
1.9 GENERAL MEETINGS OF TSNZ	7
1.10 ALTERATION OF RULES OF CONDUCT	8
1.11 ALTERATIONS TO CONSTITUTION	8
1.12 FINANCE	8
1.13 SELECTORS	9
1.14 WINDING UP	10
1.15 MERIT AWARDS	10
1.16 ASSOCIATION MAGAZINE	10
1.17 DEFINITION OF AN AMATEUR	10
1.18 DISCIPLINE	10
1.19 INDEMNITY	11
1.20 SPORTS TRIBUNAL.....	11
1.21 HARASSMENT-FREE SPORT, POLICY AND PROCEDURES	11
1.22 ANTI-DOPING.....	11
1.23 INCLUSION POLICY.....	12
1.24 SPORTS MATCH-FIXING AND RELATED CORRUPTION	12
1.25 CONFLICT OF INTEREST	12
1.26 GENERAL.....	12
SECTION 1 – SCHEDULE A.....	13
1.A.1 CAPITATIONS	13
1.A.2 AFFILIATIONS	13
1.A.3 LEVIES ON ORDINARY MEMBERS, ASSOCIATIONS AND CLUBS.....	13
1.A.4 PENALTIES FOR NON-PAYMENT	13
SECTION 1 SCHEDULE B.....	14
1.B.1 REPRESENTATION.....	14
1.B.2 EXPENSES.....	14
1.B.3 CONDITIONS.....	14
SECTION 1 SCHEDULE C	15
1.C ARTICLES OF AFFILIATION - NZUSRC.....	15
SECTION 1 SCHEDULE D	16
1.D ARTICLES OF AFFILIATION - SITSA	16
SECTION 1 SCHEDULE E.....	17
1.E ARTICLES OF AFFILIATION - NISRA	17
SECTION 1 SCHEDULE F.....	18
1.F ARTICLES OF AFFILIATION - OCSRA	18
SECTION 1 SCHEDULE G	19
1.G ADMINISTRATIVE BYLAWS	19
1.G.1 Open Championship Results	19
1.G.2 Electoral Nominations.....	19
1.G.3 National Records.....	19
1.G.4 Information Collection and Distribution	19
1.G.5 Merit Awards	20
1.G.6 Standing Orders	20
1.G.6.1 Motions.....	20
1.G.6.2 Personal Explanation.....	21
1.G.6.3 Amendments	21
1.G.6.4 Points of Order	21
1.G.6.5 Procedural Motions.....	22

SECTION 1 – CONSTITUTION

1.1 NAME OF ASSOCIATION

- 1.1.1 The name of the Association shall be TARGET SHOOTING NEW ZEALAND ('TSNZ').

1.2 PURPOSE OF ASSOCIATION

The purpose of TSNZ shall be:

- 1.2.1 To encourage and to further the interests of all target shooting;
- 1.2.2 To arrange such competitions as may be deemed necessary;
- 1.2.3 To procure or assist in procuring equipment for affiliated Associations, Clubs and Members;
- 1.2.4 To generally manage the sport and disciplines of target shooting in New Zealand.

1.3 POWERS OF ASSOCIATION

Without in any way limiting the objects specified in this Constitution TSNZ shall be specifically empowered:

- 1.3.1 To acquire or dispose of in any manner any real or personal property, rights or privileges which TSNZ shall think necessary or expedient for the purpose of attaining its objects or promoting its interests or those of its members;
- 1.3.2 To invest and deal with the money or assets of TSNZ not immediately required in such manner as may from time to time be determined;
- 1.3.3 To borrow or raise or secure the payment of money in such manner as TSNZ shall think fit, whether by the issue of debentures, bonds, mortgages or any other security founded or based on all or any of the property and or rights of TSNZ, or without any such security and upon such terms as TSNZ shall think fit;
- 1.3.4 To subscribe to, become a member of, and cooperate with, any body, group of people or society, whether incorporated or not, whose objects are altogether or in part similar to those of TSNZ in respect to the promotion of shooting or sport generally, or in other respects;
- 1.3.5 To use the funds of TSNZ as may be considered necessary or proper in the payment of costs and expenses and furthering or carrying out the objects of TSNZ or any of them including the employment of such persons in such capacities as shall appear necessary or expedient;
- 1.3.6 To enact, amend or rescind such regulations or by-laws that shall not be inconsistent with the Incorporated Societies Act or with the rules and objectives of TSNZ;
- 1.3.7 To do all things as are incidental or conducive to the attainment of the objects of TSNZ.

1.4 MEMBERSHIP

- 1.4.1 Membership of TSNZ shall consist of Ordinary Members, Life Members, Associations, Clubs and Cooperating Affiliated Bodies as defined in this Section.
- 1.4.2 The following shall be recognized upon payment of the appropriate fee set by the TSNZ Annual General Meeting:
- 1.4.2.1 **ASSOCIATIONS** that shall comprise two or more clubs as defined in Clause 1.4.2.2. These Associations shall represent those clubs within an area agreed at the time of affiliation to TSNZ.
- 1.4.2.2 **INDIVIDUAL CLUBS** that shall comprise a minimum of three members as defined in Clause 1.4.3.1, 1.4.3.2, 1.4.3.3, 1.4.3.4, 1.4.3.5, or 1.4.3.6, and may upon payment of the affiliation fee set by the TSNZ Annual General Meeting apply to become an Affiliate of TSNZ through the local Association.
- 1.4.2.3 **DIRECTLY AFFILIATED CLUBS:** Where there is no local Association or the local Association is not affiliated to TSNZ, subject to approval by the Executive, an individual Club may be granted the rights applying to an Association.
- 1.4.3 AN ORDINARY MEMBER shall be a person who has paid the appropriate annual capitation fee set by the TSNZ Annual General Meeting and is an affiliated member of one of the bodies defined in Clauses 1.4.2.1, 1.4.2.2 or 1.4.2.3.
- 1.4.3.1 **FULL MEMBER** - any individual who does not qualify for inclusion in one of the following categories:
- 1.4.3.2 **JUNIOR MEMBER** - any individual who will be under the age of 21 on December 31st in the year of the competition.

- 1.4.3.3 **FAMILY MEMBER** - any individual related to, and residing in the same residence as a financial Full Member.
- 1.4.3.4 **SUPER MEMBER** - any individual 65 years of age and over on the 1st January in the current capitation year.
- 1.4.3.5 **RESTRICTED MEMBER** – any individual who does not shoot more than a total of six times during a calendar year at a TSNZ affiliated Club and who does not participate in any TSNZ sanctioned event or competition outside of his/her nominated Club.
- 1.4.3.6 **SOCIAL MEMBER** - any individual who does not shoot.
- 1.4.3.7 **TSNZ CHALLENGE MEMBER** - any Secondary School Pupil who is not a Junior Member of TSNZ who competes solely in the annual TSNZ Secondary School competition.
- 1.4.4 **LIFE MEMBERS**
- Life Membership of TSNZ may be awarded to people who have rendered outstanding service to TSNZ.
- 1.4.4.1 Nominations for Life Membership shall be forwarded in writing to the Executive Officer by an Association as defined in 1.4.2.1, or Directly Affiliated Club as defined in 1.4.2.3, not later than 20 July.
- 1.4.4.2 Nominations shall be accompanied by a supporting history and profile of the Nominee(s).
- 1.4.4.3 Nominations for Life Membership must be seconded in writing to the Executive Officer by an Association as defined in 1.4.2.1, or Directly Affiliated Club as defined in 1.4.2.3, not later than 20 July.
- 1.4.4.4 Life Membership of TSNZ shall be awarded by a 2/3 majority resolution having been attained in favour of the Nominee(s) in a postal ballot held in conjunction with the Election of Officers as detailed in Section 7.
- 1.4.4.5 The Postal Ballot shall be conducted under the rules detailed in Clauses 1.7.2.1, 1.7.2.2, 1.7.2.3 and 1.7.2.5.
- 1.4.4.6 The numerical result (votes for, and votes against) of any ballot for Life Membership shall not be made public.
- 1.4.4.7 Life Members shall not be required to pay any prescribed annual capitation fee but shall be otherwise accorded the rights of Ordinary Members.
- 1.4.5 **PATRON**
- A Patron may be elected by resolution passed at a TSNZ Annual General Meeting, from people who TSNZ wishes to place in that position of honour.
- 1.4.5.1 Nominations for the position of Patron shall be forwarded to the TSNZ Executive Officer by 20 July. A recommendation from the TSNZ President shall be made to the TSNZ Annual General Meeting.
- 1.4.5.2 A Patron shall receive the rights and privileges accorded to Life Members of TSNZ.
- 1.4.6 **COOPERATING AFFILIATED BODIES**
- 1.4.6.1 Other organisations, whether educational, commercial or sporting, with aims and interests similar, or complimentary to, the objects of TSNZ, may apply in writing to the Executive to become Members of TSNZ.
- 1.4.6.2 The conditions of membership shall, for each and every Cooperating Affiliated Body, be contained in Articles of Affiliation, which shall be enacted as Bylaws to this Constitution.
- 1.4.6.3 The Executive, after due consideration of the application, may draft Articles of Affiliation and grant interim Membership to the applicant organisation.
- 1.4.6.4 Such applications, Articles of Affiliation and interim Memberships, shall be ratified by an Annual or a Special General Meeting of TSNZ.
- 1.4.6.5 Except where specified to the contrary in the Articles of Affiliation pertaining to any particular Cooperating Affiliated Body, such organisations and their representatives shall not be accorded voting rights in any form or be permitted to submit Remits as detailed in Sections 10 and 11 of this Constitution.
- 1.4.6.6 Cooperating Affiliated Bodies shall pay the same annual affiliation fee as set by the TSNZ Annual General Meeting for the Associations defined in Clause 1.4.2.1.

1.5 OFFICERS AND EXECUTIVE

- 1.5.1 The Officers of TSNZ shall be:
 - 1.5.1.1 A President;
 - 1.5.1.2 A Deputy President;
 - 1.5.1.3 Four Ordinary Members.
- 1.5.2 The Executive Committee ('the Executive') shall comprise the President, Deputy President, and four Ordinary Members.
- 1.5.3 The Executive may invite the Immediate Past President to attend Executive meetings on a regular or irregular basis.

1.6 MANAGEMENT

- 1.6.1 Management and control of the affairs of TSNZ shall be vested in the Executive.
- 1.6.2 The Executive shall have all the powers of TSNZ except those that are expressly required to be done or exercised by a TSNZ General Meeting.
- 1.6.3 The Executive shall have power to carry out all contracts entered into by TSNZ.
- 1.6.4 The Executive shall have the power to co-opt, form sub-committees for purposes connected with management of the affairs of TSNZ, and to delegate such powers and authority as it may deem fit.
- 1.6.5 The Executive shall appoint an Executive Officer who shall be responsible for the day to day administration of TSNZ, act as Secretary to the Executive, and carry out such duties as may be required by the Executive.
- 1.6.6 **Common Seal**

TSNZ shall have a Common Seal of a form determined by the Executive. The Common Seal shall remain in the care of the Executive Officer and shall be affixed to any document only upon a resolution passed by the Executive. The Seal shall only be affixed in the presence of two members of the Executive and the Executive Officer, all of who shall sign the document.

1.7 ELECTION OF OFFICERS

- 1.7.1 Any Member intending to seek election to one of the positions in Clause 1.5.1 shall nominate in writing to the Executive Officer not later than 20 July.
 - 1.7.1.1 Members nominating for office must be Ordinary Members of TSNZ and be normally resident in New Zealand.
 - 1.7.1.2 Nominations must be seconded in writing to the Executive Officer by an Association as defined in 1.4.2.1, or Directly Affiliated Club as defined in 1.4.2.3, not later than 20 July.
 - 1.7.1.3 Nominations must be accompanied by a brief personal history and statement if required for circulation with ballot papers.
 - 1.7.1.4 No Employee of TSNZ, nor any person employed by, or otherwise financially associated with, a Service Provider or Contractor to TSNZ, shall be entitled to forward a nomination for any Office detailed in Section 1 of this Constitution while so employed or associated.
- 1.7.2 Officers of TSNZ shall be elected by postal ballot as follows:
 - 1.7.2.1 The Executive Officer shall not later than 31 August forward voting papers to all Associations and Directly Affiliated Clubs.
 - 1.7.2.2 Included with the voting papers shall be a brief personal history and statement from each such candidate.
 - 1.7.2.3 Voting papers shall be returned not later than 15 October to the Returning Officer appointed to conduct the ballot.
 - 1.7.2.4 It shall not be necessary to vote for the full number of candidates required, but votes for an excess number of candidates shall render the ballot paper invalid.
 - 1.7.2.5 The Returning Officer for the ensuing year shall be appointed at the Annual General Meeting. The Returning Officer shall report the result to the current President not later than the tenth day prior to the Annual General Meeting.

- 1.7.2.6 The President shall arrange for all successful candidates to be notified of their appointment not later than seven days prior to the pre-conference Executive Meeting to enable the incoming Executive to assemble and undertake an efficient and orderly transition of outstanding Executive matters where necessary.
- 1.7.2.7 The President shall deliver the results of the postal ballot to the Annual General Meeting immediately following the confirmation of the Minutes of the previous Annual General Meeting. The results shall record (a) the number of votes allocated to each Association as detailed in Clause 1.9.6.3, and (b) the number of votes gained by each candidate.
- 1.7.3 The President and Deputy President shall be elected annually. The Ordinary Members of the Executive shall be elected for a term of two years, with two members retiring annually by rotation.
- 1.7.3.1 The appointment of any newly elected Officers shall become effective at the conclusion of the Annual General Meeting at which they are elected and shall remain in office until the conclusion of the following Annual General Meeting.
- 1.7.3.2 Newly elected Officers may attend the pre-conference Executive Meeting as observers only, and any expense(s) involved shall be covered by the provisions of Clause 1.8.8. Outgoing officers may attend post-conference meeting as observers only.
- 1.7.3.3 A President may serve as President for a maximum of five consecutive years. After standing down for one or more years from the role of President, the Member may nominate again for the position of President.
- 1.7.4 **Retirement:** Any Officer not available for re-election shall notify the Executive Officer, in writing, not later than 30 April. The Executive Officer shall advise all Associations and Directly Affiliated Clubs of the pending retirement by 31 May.
- 1.7.5 **Incumbent Office Holders:** Incumbent Office holders who are available for re-election shall advise the Executive Officer, in writing, of the fact not later than 30 April. Incumbent Officer Holders who comply with this requirement shall not be required to comply with Clauses 1.7.1, 1.7.1.2 or 1.7.1.3.
- 1.7.6 **Insufficient Candidates:** Where insufficient nominations are received for any particular office, further nominations, restricted to those in attendance or to those who have provided the meeting with written consent to nomination, shall be called for at the Annual General Meeting. If an insufficient number of nominations is received for any office at the Annual General Meeting, then the Executive may fill such vacancy by appointment.
- 1.7.7 **Death or Withdrawal of President:** In the event of the death or withdrawal of the President during the term of office, the Deputy President shall assume the position. The Executive may appoint a Deputy President from among its members and may fill the ensuing vacancy by appointing a suitable person.
- 1.7.8 **Death or Withdrawal of Officer other than President:** In the event of the death or withdrawal of the Deputy President, or of an ordinary member during the term of office, the remaining members may fill the Deputy President vacancy from their number and may fill any ordinary vacancy by appointing a suitable person.
- 1.7.9 Any appointments made under the provisions of Clauses 1.7.6, 1.7.7 or 1.7.8 shall be for the period remaining to the next Annual General Meeting.

1.8 EXECUTIVE MANAGEMENT

- 1.8.1 The Executive shall convene meetings of that body as and when deemed necessary.
- 1.8.2 The Executive Officer shall give each member at least seven clear days notice of any impending meeting.
- 1.8.3 The President shall take the Chair at any Executive meeting and the Deputy President shall assume the position in the absence of the President.
- 1.8.4 In all cases the Chairperson shall have a deliberative and a casting vote.
- 1.8.5 At any Executive meeting a minimum of four voting members present shall constitute a Quorum.
- 1.8.6 An Executive member failing to attend two consecutive meetings without prior leave or reasonable excuse shall forfeit his/her seat on the Executive.
- 1.8.7 Any or all Officers may be removed from office on the vote of two-thirds majority of the votes recorded at a Special General Meeting called for the purpose. In the event of the removal of any or all Officers under these provisions, the election of a new Officer or Officers shall proceed forthwith.
- 1.8.8 All reasonable out-of-pocket expenses incurred by members or other people required to attend Executive meetings shall be met by TSNZ.
- 1.8.9 The Executive Officer shall circulate the Minutes of Executive meetings to all Associations and Directly Affiliated Clubs, and shall post such minutes on the TSNZ website, not later than one month after the date of the meeting.

1.9 GENERAL MEETINGS OF TSNZ

1.9.1 Annual General Meeting

1.9.1.1 The TSNZ Annual General Meeting shall be held in either Wellington or Christchurch alternately on the weekend following Labour Weekend or by video conferencing if the Executive deem a full in-person meeting is not able to be held due to disruption from a declared pandemic, natural disaster, or other extenuating circumstances.

1.9.1.2 Notice of the meeting, Remits, and notice of Business of Which Notice Has Been Given, shall be sent to all Associations and Directly Affiliated Clubs not later than 31 August.

1.9.1.3 The Annual Report, Balance Sheet and Budget shall be sent to all Associations and Directly Affiliated Clubs not less than 21 clear days before the date of the Annual General Meeting.

1.9.1.4 The format of the meeting may vary from year to year.

1.9.2 Special General Meeting

1.9.2.1 A Special General Meeting of TSNZ shall be called by the Executive Officer upon instruction from the Executive or upon receipt of a requisition setting forth the objects of such meeting, signed by the secretaries of not less than three Associations and/or Directly Affiliated Clubs.

1.9.2.2 Twenty-one clear days' notice of any Special General Meeting shall be given to all Associations and Directly Affiliated Clubs and such notice shall contain details of the business to be transacted at the meeting.

1.9.3 **General Meetings:** The Annual General Meeting or any Special General Meeting of TSNZ shall consist of Delegates appointed by Associations and Directly Affiliated Clubs together with the Executive specified in Clause 1.5. Notice of the appointment of Delegate or Delegates, signed by the Secretary of the Association or Directly Affiliated Club, must be in the hands of the Executive Officer prior to commencement of the meeting at which they are to act.

1.9.4 **Proxies:** Any Association or Directly Affiliated Club which cannot be represented by its own Delegate or Delegates at any meeting may be represented by a Proxy. A Proxy shall be duly appointed, in writing, by that Association or Directly Affiliated Club and delivered to the Executive Officer prior to commencement of the meeting.

1.9.5 **Quorum:** A quorum shall be formed by Delegates representing not less than one-third of the total number of Associations and Directly Affiliated Clubs actually present at a General Meeting.

1.9.6 **Voting Numbers:** Voting numbers and the appointment of proxy votes shall be declared immediately following the opening of any General or Special General Meeting.

1.9.6.1 Each Association and Directly Affiliated Club represented, either in person or by Proxy, shall be entitled to the full voting numbers accorded by the affiliated membership of that Association or Club.

1.9.6.2 Where an Ordinary Member is a financial member of more than one Association, he/she must specify on the TSNZ annual capitation form, the Association to which his/her vote is to be allocated.

1.9.6.3 Voting numbers of Associations and Directly Affiliated Clubs, for postal ballots as provided for in Sections 7 and 13 of the Constitution, shall be determined by the number of ordinary members who have, as at 31 July, complied with Clause 1.A.1 of the Constitution.

1.9.6.4 Should an equality of votes occur following the Postal Ballot for any position in the election of Officers of TSNZ, the tie shall be resolved by Ballot.

1.9.6.5 The voting numbers of Associations and Directly Affiliated Clubs for an Annual General Meeting shall be determined by the number of Ordinary Members who have, as at 30 September, complied with Clause 1.A.1 of the Constitution.

1.9.6.6 The voting numbers of Associations and Directly Affiliated clubs for a Special General Meeting shall be determined by the number of votes available to them at the current or immediate past Annual General Meeting.

1.9.7 No member of the TSNZ Executive, nor any Employee of TSNZ, nor any person employed by, or otherwise financially associated with, a Service Provider or Contractor to TSNZ, shall be entitled to exercise any voting rights whatsoever, at any General meeting of TSNZ. This clause shall take precedence over any other provision in this Constitution.

1.9.8 Patron and Life Members shall be accorded individual voting rights and may be appointed Proxy votes.

1.9.9 Voting at any General Meeting of TSNZ shall be by voice. Notwithstanding that, should any Delegate present so desire, or the vote by voice is inconclusive, the Chairperson shall call for a Poll. Such Polls shall normally be recorded by voice

but should any Delegate present so desire, a Secret Ballot shall be held.

- 1.9.10 Should an equality of votes occur following any Poll or Secret Ballot to change the current Constitution or Rules of TSNZ, the motion shall be declared lost and Clause 1.10.6 of the Constitution shall apply.
- 1.9.11 **Minutes:** Minutes of the Annual General Meeting shall be circulated to all Associations and Directly Affiliated Clubs by 20 February in each year. Minutes of any Special General Meeting shall be circulated to all Associations not later than one month following the date of the meeting.

1.10 ALTERATION OF RULES OF CONDUCT

- 1.10.1 Alteration of the Rules of Conduct of TSNZ shall only be carried out by resolution at an Annual General Meeting at which such additions or alterations shall have been received from the Executive as Remits of which prior notice has been given in accordance with Clause 1.9.1.2, or at a Special General Meeting called for that purpose.
- 1.10.2 **Remits:** Remits for amendments to the Rules of Conduct shall be submitted in accordance with the following procedures:
- 1.10.2.1 Proposed Remits shall be received by the Executive Officer from Associations or Directly Affiliated Clubs or the Executive not later than 20 July in any year.
- 1.10.2.2 Proposed Remits shall not be valid unless accompanied by an explanation.
- 1.10.2.3 The Executive shall give each Proposed Remit consideration to ensure its intent conforms to the TSNZ Objects set out in Clause 1.2.
- 1.10.2.4 The Executive may decline to submit any proposed Remit to the TSNZ Annual General Meeting for consideration as a Remit. The proposed Remit together with any such decision and the reasons for it shall be circulated to all Associations and Directly Affiliated Clubs in accordance with Clause 1.9.1.2.
- 1.10.2.5 Any proposed Remit that is declined by the TSNZ Executive shall be included for consideration as 'Business for Which Notice Has Been Given' at the TSNZ Annual General Meeting.
- 1.10.3 Amendments or additions to the Rules of Conduct may be adopted in the year of the submission and shall be effective immediately, or as agreed by Conference.
- 1.10.4 An amendment or addition to the Rules of Conduct shall be retained without alteration for a period of three years from the date of confirmation unless upset by a two-thirds majority in the interim. A recommendation for addition or alteration may be discussed at intervening Annual General Meetings.
- 1.10.5 An unsuccessful attempt to amend a rule shall confirm that rule for a further period of three years subject to the requirement of a two-thirds majority as in Section 1.10.4. After the three-year period, a simple majority may agree an amendment.
- 1.10.6 Clauses 1.10.4 and 1.10.5 shall not apply where the provisions of Clause 1.9.10 have been observed following an equality of votes in any Poll or Secret Ballot to change the current Constitution or Rules of TSNZ. In such cases, the changes in question may be submitted by remit to the next Annual General Meeting and resolved by a simple majority.

1.11 ALTERATIONS TO CONSTITUTION

- 1.11.1 Alterations or additions to the TSNZ Constitution may be made by Remit to the TSNZ Annual General Meeting or by decision of a Special General Meeting called for that purpose. Remits to an Annual General Meeting shall be subject to the procedures and conditions set out in Clause 1.10.
- 1.11.2 No alteration or new clause shall become valid unless passed at a TSNZ General Meeting by a majority of the Associations and Directly Affiliated Clubs present.
- 1.11.3 No addition to, alteration or rescission of the Constitution or Rules shall be approved if it affects the pecuniary profit Clause 1.12.7 or the winding up Clause 1.14.3 without the approval of the Inland Revenue Department.

1.12 FINANCE

- 1.12.1 For the Annual Balance, the accounts of TSNZ shall close on 30 June in each year.
- 1.12.2 All TSNZ funds shall be lodged with an approved bank decided upon by the Executive. All lodgements and withdrawals shall be under the control of the Executive Officer and must be approved by the Executive. All accounts passed for payment shall be paid by cheque signed by the Executive Officer together with one of two members of the Executive appointed for that purpose, or by electronic transfer authorised by the Executive Officer together with one of two

members of the Executive appointed for that purpose.

- 1.12.3 **Loans:** For the purpose of assisting Member Associations, Directly Affiliated Clubs and Affiliated Clubs, as defined in Clause 1.4, to purchase or improve ranges and equipment, loans may be made available by the Executive. The maximum amount that may be advanced to any affiliated body shall be five thousand dollars. The interest rate charged shall be the ruling First Home Mortgage Interest Rate of TSNZ's current Bank.
- 1.12.3.1 The period of any such loan shall not exceed five years and repayment shall be made to TSNZ in five equal instalments.
- 1.12.3.2 No loan shall be made to any Member Association, Directly Affiliated Club or Affiliated Club, as defined in Clause 1.4, without receiving appropriate and suitable guarantees. Loans shall not be made to individual affiliated members or Cooperating Affiliated Bodies.
- 1.12.4 **Fees:** Capitation Fees, Affiliation Fees, Levies and any other Fee (hereafter referred to as Fees) as may be determined by the TSNZ Annual General Meeting, shall cover the 12 month period of the year immediately after the Annual General Meeting.
- 1.12.4.1 Fees set at a Special General Meeting which has been convened to discuss such fees, shall apply from the date and for the period approved at such meeting.
- 1.12.4.2 The dates for payment of Capitation Fees, Affiliation Fees and Levies, payable by Ordinary Members, Associations, Clubs and Cooperating Affiliated Bodies are detailed in Schedule A of this Constitution.
- 1.12.4.3 The details of such Capitation Fees, Affiliation Fees and levies, including definitions and procedures for payment are contained in Schedule A of this Constitution.
- 1.12.4.4 Any Ordinary Member, Association, Club or Cooperating Affiliated Body whose Capitation Fees, Affiliation Fees or Levies are not paid by the date prescribed in Schedule A of this Constitution, shall be given one month's notice of suspension from TSNZ by the Executive. If such outstanding fees are unpaid at the end of this period the Ordinary Member, Association, or Club Cooperating Affiliated Body shall forfeit all rights within TSNZ until all outstanding payments have been received by TSNZ.
- 1.12.4.5 The Executive shall circulate, in accordance with the provisions of Clause 1.9.1.3, any recommendation on changes to the levels of fees for the ensuing year.
- 1.12.5 Auditing of accounts shall be carried out by an Auditor appointed by the Executive, who shall be a member of the Institute of Chartered Accountants of New Zealand and who shall not hold any other office in TSNZ.
- 1.12.6 A Public Liability insurance cover shall be arranged and maintained by the Executive on behalf of all members of Associations and Clubs.
- 1.12.7 No member or person associated with a member of TSNZ shall derive any income, benefit or advantage from TSNZ where that member or person can materially influence the payment of the income, benefit or advantage; except where that income, benefit or advantage is derived from:
- (a) Professional services to TSNZ rendered in the course of business charged at no greater rate than the current market rates, or
 - (b) Interest on money lent at no greater rate than the current market rates.

1.13 SELECTORS

- 1.13.1 Each Island Selection Panel shall consist of three elected members.
- 1.13.2 Nominations for Island Selectors shall be forwarded in writing by Associations and Directly Affiliated Clubs to the Executive Officer not later than 20 July in each year.
- 1.13.3 **Election of Island Selectors:** The election for Island Selectors shall be held, along with that for the Officers, as a postal ballot and under the same terms and conditions as are detailed in Clause 1.7.2. Only member Associations and Directly Affiliated Clubs based within that Island may cast votes for selectors for any Island panel.
- 1.13.3.1 Where insufficient nominations are received for any island selection panel, further nominations, restricted to those in attendance or to those who have provided the meeting with written consent to nomination, shall be called for at the Annual General Meeting. If an insufficient number of nominations are received for any office at the Annual General Meeting, then the Executive may fill such vacancy by appointment.
- 1.13.4 A Convener for each of the Selection Panels detailed in Clause 1.13.1 shall be elected at the Annual General Meeting. Nominations for each Convener shall be restricted to the Selectors elected to the appropriate Panel and further, to those Selectors who are present or who have indicated, in writing, their consent to nomination. If required, a Ballot shall be

conducted to determine a Convener for any Selection Panel. Votes for the Convener of any Island Selection Panel shall be cast only by Associations or Directly Affiliated Clubs based within that Island.

- 1.13.5 Incumbent Selectors who are available for re-election shall advise the Executive Officer in writing, not later than 30 April. Incumbent Selectors who comply with this requirement shall not be required to comply with Clause 1.13.2.
- 1.13.6 Should any member of an Island panel be absent, the remaining members may co-opt a further person to complete the panel for the period of such absence.

1.14 WINDING UP

- 1.14.1 TSNZ may be wound up by a resolution to that effect of which due notice has been given and passed at a TSNZ Annual or Special General Meeting, and confirmed at a subsequent Special General Meeting called for that purpose, and held not less than thirty nor more than sixty days after the date of the passing of the resolution.
- 1.14.2 Passing or confirming the resolution shall require a majority of the valid votes cast by members voting at the Meeting in person.
- 1.14.3 TSNZ shall not be dissolved unless all liabilities have been discharged. All funds and other assets in the possession of TSNZ at the date of dissolution shall be distributed pro rata to Associations and Directly Affiliated Clubs according to the number of their Affiliated Members.
- 1.14.4 Cooperating Affiliated Bodies shall be excluded from such allocation of TSNZ funds and/or assets.

1.15 MERIT AWARDS

- 1.15.1 Merit Awards, as detailed in Schedule 1.G.4, may be awarded for outstanding service to the sport of target shooting. The Executive of TSNZ on application being made by an Association or Directly Affiliated Club shall approve Merit Awards. All applications shall be accompanied by a supporting history of the nominee. All costs incurred in production of the Merit Award shall be the responsibility of the applicant body.

1.16 ASSOCIATION MAGAZINE

- 1.16.1 An association magazine shall, if the Executive considers this warranted, be produced, either alone, or in conjunction with other shooting disciplines. The views expressed in such magazine shall not necessarily express official policy.

1.17 DEFINITION OF AN AMATEUR

- 1.17.1 An amateur is one who meets the definition of an amateur as defined by the ISSF.

1.18 DISCIPLINE

- 1.18.1 Any Association, Club, Directly Affiliated Club, Ordinary Member or Life Member (hereafter referred to as the Member) whose alleged misconduct may bring TSNZ into disrepute or had the potential to cause injury to any person, may be suspended from all competitive and administrative activities within TSNZ by the President or his authorized Deputy, pending a Special Hearing convened to consider disciplinary action.
- 1.18.2 The Executive shall convene the Special Hearing provided for in Clause 1.18.1 at a location determined by the President not later than 21 days following the suspension.
- 1.18.3 No Member shall be disciplined by TSNZ without being given adequate opportunity of being heard or represented in defense except when subject to the provisions of Clause 1.18.11.
- 1.18.4 Any Member subject to a suspension order shall, within seven days from the date of suspension, be given written notice detailing the alleged misconduct and notifying the time and place of the Special Hearing.
- 1.18.5 Following due process, the Executive Committee, as defined in Clause 1.5.2 of the TSNZ Constitution, may resolve by a two thirds majority vote to either:
 - (a) Rescind the suspension, or
 - (b) Apply a conditional bond as a disciplinary procedure, or
 - (c) Apply a finite period of suspension as a disciplinary measure, or
 - (d) Expel the Member from TSNZ.

- 1.18.6 Any Member subject to expulsion from TSNZ by the Executive Committee shall be immediately suspended from all competitive and administrative activities within TSNZ and shall remain suspended until the conclusion of any subsequent judicial process.
- 1.18.7 Any Member subject to the disciplinary measures detailed in Section 1.18.5 (b), (c), (d) and 1.21.4 may, within 14 days, petition TSNZ to review the decision by requesting in writing, an Appeal Board hearing. Such hearing shall be convened at a location determined by the Immediate Past President within 14 days of the receipt of such request by TSNZ.
- 1.18.8 The TSNZ Board of Appeal shall consist of the following people:
- (a) The Immediate Past President - who shall act as President of the Board; and
 - (b) The President of the South Island Association, or his/her authorized Deputy; and
 - (c) The President of the North Island Association, or his/her authorized Deputy.
- 1.18.9 The Board of Appeal shall have the authority to request information from, co-opt, or consult with such people as may be necessary to reach a decision on the matter before them by virtue of natural justice.
- 1.18.10 Any Member expelled from TSNZ may only be re-admitted upon a written submission being tabled by a Member Association at an Annual General Meeting of TSNZ as Business of Which Notice Has Been Given. A two-thirds majority vote shall be required for re-admission to be approved.
- 1.18.11 Any Ordinary Member or Life Member whose firearms license is revoked or refused by the Commissioner of Police shall not be a Member of TSNZ, and membership shall not be considered while such prohibition exists.

1.19 INDEMNITY

- 1.19.1 The Executive Committee and all officers of TSNZ shall, in the proper discharge of their powers and duties pursuant to this constitution, be indemnified by TSNZ for any loss, expenses or other liability whatsoever incurred by them.

1.20 SPORTS TRIBUNAL

- 1.20.1 Target Shooting New Zealand agrees to comply with the rules of the Sports Tribunal of New Zealand. Information and Rules of the Sports Tribunal are available from the Sports Tribunal website.
- 1.20.2 Any party aggrieved by a decision may appeal the decision to the Sports Tribunal of New Zealand.
- The grounds for an appeal shall only be one or more of the following grounds:
- (a) natural justice was denied;
 - (b) the decision-maker or decision-making body acted outside of its powers and/or jurisdiction (i.e. acted ultra vires);
 - (c) substantial new evidence became available after the decision, which is being appealed, was made;
 - (d) in the case of a decision relating to misconduct, the penalty was either excessive or inappropriate;
- 1.20.3 Any such appeal shall be filed within 28 days from the date of the appellant being notified of the decision, and in all other respects shall be in accordance with the rules of the Sports Tribunal of New Zealand

1.21 HARASSMENT-FREE SPORT, POLICY AND PROCEDURES

- 1.21.1 Target Shooting New Zealand adopts a Harassment-Free Policy in accordance with the guidelines as set by the New Zealand Olympic Committee and Sport New Zealand.
- 1.21.2 The Policy and Procedures are available by request from the TSNZ office or can be downloaded from the TSNZ website.
- 1.21.3 Contact details for the Harassment Complaints Officers are to be published on the TSNZ Website.
- 1.21.4 The Disciplinary Committee shall have the power to impose sanctions according to clause 4.7 of the Harassment-Free Sport Policy and Procedures.
- 1.21.5 Any Member subject to the disciplinary measures detailed in 1.21.4 may appeal the decision according to Clauses 1.18.7, 1.18.8 and 1.18.9 of the Constitution.

1.22 ANTI-DOPING

- 1.22.1 Target Shooting New Zealand adopts Drug-Free Sport New Zealand's Anti-Doping Rules as agreed by NZSF. The full Sports Anti-Doping Rules document is available by email on request from the TSNZ office.

1.23 INCLUSION POLICY

- 1.23.1 Target Shooting NZ aims to provide equal opportunity for all shooters and this includes those who identify as men, women, gender diverse, transgender and all diverse sexualities, giving all shooters equal rights to access opportunities, to participate and perform to their full potential and to be treated fairly and with respect.
- 1.23.2 Unless otherwise specified in the conditions, transgender or hyperandrogenous individuals shall be eligible for nomination or entry for TSNZ Men's or Women's competitions or prizes as the gender by which they have affiliated to TSNZ and which they are currently legally known.
- 1.23.3 When requested by TSNZ, the individual must be able to demonstrate that they have been legally living as the particular gender for at least 2 years, or have been undergoing hormone treatment for at least one year prior to the date of entry to the competition. Such requests will be handled in a manner according to the Harassment-Free Sport Policy and Procedures (see Rule 1.21). Match officials or other individuals must apply for confirmation of such to TSNZ, not directly to the individual.
- 1.23.4 For participation in any non-TSNZ or international competitions, transgender or hyperandrogenous individuals must comply with the policies specifically applying to those events.

1.24 SPORTS MATCH-FIXING AND RELATED CORRUPTION

- 1.24.1 Target Shooting New Zealand agrees to comply with Sport New Zealand's policy on Sports Match-fixing and Related Corruption, and its amendments at the time of the incident being investigated.

1.25 CONFLICT OF INTEREST

- 1.25.1 **Potential Conflicts of Interest:** If a member of any TSNZ decision making body has, or may have, a potential Conflict of Interest in relation to any role or decision in which that member might participate, then the member must disclose the nature of the potential Conflict of Interest to the other members of the decision-making body.
- 1.25.2 **Actual Conflicts of Interest:** If a member has, or may have, an actual Conflict of Interest in relation to any role or decision, then:
- (a) the member must disclose the nature of the Conflict of Interest to the decision-making body; and
 - (b) the member should not perform that role or participate in that decision and may be replaced by another person.
- 1.25.3 For the purposes of this clause, "Conflict of Interest" means a situation where a member has a personal, financial, or other material interest that has, or is likely to have, an impact on the role and responsibilities of that person. For example, this includes a relationship as a previous or existing coach of an Athlete, or a family relationship with an Athlete or a situation which affects another person that the member has a relationship as a previous or existing coach of an Athlete, or a family relationship with an Athlete where the role or decision of the member directly involves the interests of that Athlete.

1.26 GENERAL

- 1.26.1 Any matter omitted from these rules may be determined by the Executive.
- 1.26.2 Any TSNZ competition which is not able to be held on the date(s) specified in the current applicable Rules due to disruption from a declared pandemic, natural disaster, or other extenuating circumstances, may be rescheduled or cancelled by the Executive.

SECTION 1 – SCHEDULE A

A BYLAW OF TARGET SHOOTING NEW ZEALAND INCORPORATED

This Bylaw relates to the payment of Capitations, Affiliations and other Fees payable by Ordinary Members and bodies affiliated to TARGET SHOOTING NEW ZEALAND INCORPORATED (TSNZ).

1.A.1 CAPITATIONS

- 1.A.1.1 Capitations are those fees paid by an individual who has participated in target rifle shooting for a period in excess of six weeks in any capitation year, at a Club or Association affiliated to TSNZ. Payment of such Capitation Fees shall qualify an individual to become, or remain, an Ordinary Member of TSNZ. A capitation year is the period from 1 April to 31 March.
- 1.A.1.2 Capitation Fees shall be accompanied by the Application/Renewal form provided by TSNZ.
- 1.A.1.3 The dates by which Capitation Fees shall be forwarded to TSNZ shall be:
- (i) All Club members – 30 April
- 1.A.1.4 Members nominating for Inter-Island teams shall pay the TSNZ Capitation Fee by 30 April
- 1.A.1.5 Members of either discipline who join or return to the sport after the dates specified in Clause 1.A.1.3 of this Schedule shall forward Capitation Fees through their Clubs not later than six weeks following their commencement or resumption of the sport.

1.A.2 AFFILIATIONS

- 1.A.2.1 Affiliations are those fees payable by Associations, Clubs and Cooperating Affiliated Bodies wishing to become or remain affiliated to TSNZ.
- 1.A.2.2 Outdoor and Air Rifle Club affiliation fees, together with details of club membership entered on the Club Membership Form provided by TSNZ, shall be forwarded to TSNZ by the affiliating Club not later than 31 October in each year.
- 1.A.2.3 Indoor Club and Air Rifle Club affiliation fees, together with details of club membership entered on the Club Membership Form provided by TSNZ, shall be forwarded to TSNZ by affiliating Clubs not later than 30 April in each year.
- 1.A.2.4 Association affiliation fees, together with the Association Membership Form provided by TSNZ, shall be forwarded to TSNZ by affiliating Associations not later than 31 May in each year.
- 1.A.2.5 Cooperating Affiliated Bodies shall pay the same annual affiliation fee set for member Associations, and this fee shall be forwarded to TSNZ not later than 31 May in each year.

1.A.3 LEVIES ON ORDINARY MEMBERS, ASSOCIATIONS AND CLUBS

- 1.A.3.1 In addition to the Capitation and Affiliation Fees detailed in Clauses 1.1 and 1.2 of this Bylaw, the following Levies shall apply:
- (i) Each Association or Club which organises an Indoor Open Championship competition shall pay to TSNZ a Levy per competition entry to provide a fund from which a travel subsidy shall be paid to members and managers of Indoor Inter-Island teams, on such basis as the Executive shall determine.
- (ii) Each Association or Club which organises an Outdoor or Air Rifle Open Championship competition shall pay to TSNZ a Levy per competition entry for each match advertised and held over the course of the event to provide a fund for projects and activities that relate solely to Outdoor and/or Air Rifle disciplines.
- (iii) The Executive shall set annually, a Levy to be applied to each competitor at the National Outdoor and Air Rifle Championships. This levy shall be used to offset expenses incurred at this event, including, but not confined to, the provision of special equipment, trophies, medals and certificates.
- 1.A.3.2 The Levies detailed in Clause 1.A.3.1 above shall be forwarded to TSNZ by the Association or Club organising or hosting the qualifying event not later than two weeks following the last day of that event.

1.A.4 PENALTIES FOR NON-PAYMENT

- 1.A.4.1 Should any Club fail to forward Capitation Fees or Affiliation Fees by the 30 April in any year, Clause 1.12.4.4 of this Constitution shall apply.
- 1.A.4.2 Should any Association, Club or Cooperating Affiliated Body fail to forward Affiliation Fees by 31 May in any year, Clause 1.12.4.4 of this Constitution shall apply.
- 1.A.4.3 Should any Association or Club fail to forward levies detailed in Clause 1.A.3.1 of this Schedule within two weeks of the event, Clause 1.12.4.4 of this Constitution shall apply.

SECTION 1 SCHEDULE B

A BYLAW OF TARGET SHOOTING NEW ZEALAND INCORPORATED

This Bylaw relates to the rights of financial Associations and Directly Affiliated Clubs to be represented at General Meetings of TSNZ and the level of recompense to be applied by TSNZ in relation to expenses incurred by Delegates of financial Associations and Directly Affiliated Clubs in attending such General Meetings.

1.B.1 REPRESENTATION

- 1.B.1.1 Each financial Association and Directly Affiliated Club shall be permitted to have a maximum of two Delegates attend General Meetings of TSNZ irrespective of the voting strength granted to them by Clause 1.9.6.1 of this Constitution.
- 1.B.1.2 Each financial Association or Directly Affiliated Club shall be permitted to have Observers attend General Meetings of TSNZ.
- 1.B.1.3 Such Observers shall have no speaking rights at General Meetings of TSNZ except when specifically invited to do so by the Chairperson.

1.B.2 EXPENSES

- 1.B.2.1 TSNZ shall reimburse expenses incurred by one only Delegate of any financial Association or Directly Affiliated Club represented at any General Meeting of TSNZ.
- 1.B.2.2 Only expenses relating to travel shall be reimbursed. Expenses shall be specific to, and based on, current fare schedules or, the current Public Service Travel Allowance for motor vehicles.
- 1.B.2.3 Travel expenses shall be reimbursed for travel one way only.
- 1.B.2.4 In calculating reimbursement, the first 150km of motor vehicle travel shall be disallowed.
- 1.B.2.5 Delegates crossing Cook Strait with land transport shall be paid an allowance of \$20. The actual costs incurred in transporting motor vehicles shall not be considered.
- 1.B.2.6 Airfares for journeys of less than 250km shall be disallowed.
- 1.B.2.7 Airfares shall be reimbursed at the current economy fare less any discount currently available to financial members of TSNZ.

1.B.3 CONDITIONS

- 1.B.3.1 All claims relating to Section 1.B.2 of this schedule shall be presented on an Expense Claim Form provided on request by the Executive Officer and shall be accompanied by such G.S.T. receipts or other verification as may be required.
- 1.B.3.2 The acceptance and/or payment of claims relating to this Bylaw shall be at the discretion of the Executive.

SECTION 1 SCHEDULE C

A BYLAW OF TARGET SHOOTING NEW ZEALAND INCORPORATED

1.C ARTICLES OF AFFILIATION - NZUSRC

- 1.C.1 These Articles of Affiliation define the conditions whereby the New Zealand Universities Smallbore Rifle Council, (the NZUSRC) may become a Cooperating Affiliated Body to TARGET SHOOTING NEW ZEALAND INCORPORATED (TSNZ) as detailed in Clause 1.4.6 of the TSNZ Constitution.
- 1.C.2 These Articles of Affiliation are an addendum to the Constitution of TSNZ enacted as Bylaws as provided under Clause 1.4.6 of that Constitution.
- 1.C.3 The NZUSRC shall be recognized by TSNZ as a Cooperating Affiliated Body upon payment of the appropriate fee set by the TSNZ Annual General Meeting.
- 1.C.3.1 Such fees shall be forwarded to TSNZ by 30 May in each year.
- 1.C.3.2 If such fees are in default on 30 June of any year, Clause 1.12.4.4 of the TSNZ Constitution shall apply.
- 1.C.4 TSNZ shall recognize the NZUSRC as the regulating body governing the sport of Target Rifle Shooting within the combined New Zealand Universities Campus and provide the NZUSRC all practicable assistance in fostering the sport of Target and Air Rifle shooting within New Zealand Universities.
- 1.C.5 The NZUSRC shall conduct such activities under the TSNZ Rules of Conduct pertaining to Indoor, Outdoor, and Air Rifle shooting.
- 1.C.6 TSNZ shall accord the NZUSRC the right to have one Delegate and one Observer present at the TSNZ Annual General Meeting at no cost to TSNZ, and to receive Minutes and copies of Rules Amendments enacted at such meetings.
- 1.C.6.1 The NZUSRC Delegate may be accorded speaking rights at the Annual General Meeting at the discretion of the Chairman.
- 1.C.6.2 The NZUSRC shall have no vote at any meeting of TSNZ either by Delegation or by Proxy. The Delegate and Observer shall forfeit any voting power accorded to them by any other provision of the TSNZ Constitution.
- 1.C.7 The NZUSRC shall not be permitted to forward Remits as detailed in Clauses 1.10 and 1.11 of the TSNZ Constitution but may forward material for consideration as Business for Which Notice Has Been Given.
- 1.C.8 These Articles of Affiliation may be dissolved upon one month's notice in writing being given by either TSNZ or the NZUSRC.
- 1.C.9 Neither party shall be required to show just cause or reason for such notice of dissolution.

Signed:

Signed:

President TSNZ

President NZUSRC

Enacted: 30 October 1993

Confirmed: 29 October 1994

SECTION 1 SCHEDULE D

A BYLAW OF TARGET SHOOTING NEW ZEALAND INCORPORATED

1.D ARTICLES OF AFFILIATION - SITSA

- 1.D.1 These Articles of Affiliation define the conditions whereby the South Island Target Shooting Association ('the SITSA') may become a Cooperating Affiliated Body to TARGET SHOOTING NEW ZEALAND Incorporated, (TSNZ) as detailed in Clause 1.4.6 of the TSNZ Constitution.
- 1.D.2 These Articles of Affiliation are an addendum to the Constitution of TSNZ enacted as Bylaws as provided under Clause 1.4.6 of that Constitution.
- 1.D.3 The SITSA shall be recognized by TSNZ as a Cooperating Affiliated Body upon payment of the appropriate fee set by the TSNZ Annual General Meeting.
- 1.D.3.1 Such fees shall be forwarded to TSNZ by 30 May in each year.
- 1.D.3.2 If such fees are in default as at 30 June of any year, Clause 1.12.4.4 of the TSNZ Constitution shall apply.
- 1.D.4 TSNZ shall recognize the SITSA as the regulating body governing those events specified in the letter of application dated October 1993.
- 1.D.5 The SITSA shall conduct such events under TSNZ Rules of Conduct pertaining to Indoor, Outdoor, and, Air Rifle Shooting.
- 1.D.6 TSNZ shall accord the SITSA the right to have one Delegate present at the TSNZ Annual General Meeting, (at no cost to TSNZ), and to receive Minutes and copies of Rules Amendments enacted at such meetings.
- 1.D.6.1 The SITSA Delegate may be accorded speaking rights at the Annual General Meeting at the discretion of the Chairman.
- 1.D.6.2 The SITSA shall have no vote at any meeting of TSNZ either by Delegation or by Proxy. The Delegate shall forfeit any voting power accorded to him/her by any other provision of the TSNZ Constitution.
- 1.D.7 The SITSA shall not be permitted to forward Remits as detailed in Sections 1.10 and 1.11 of the TSNZ Constitution but may forward material for consideration as, Business for Which Notice Has Been Given.
- 1.D.8 These Articles of Affiliation may be dissolved upon one month's notice in writing being given by either TSNZ or the SITSA.
- 1.D.9 Neither party shall be required to show just cause or reason for such notice of dissolution.

Signed:
 President TSNZ
 Enacted: 30 October 1993

Signed:
 President SITSA
 Confirmed: 29 October 1994

SECTION 1 SCHEDULE E

A BYLAW OF TARGET SHOOTING NEW ZEALAND INCORPORATED

1.E ARTICLES OF AFFILIATION - NISRA

- 1.E.1 These Articles of Affiliation define the conditions whereby the North Island Smallbore Rifle Association ('the NISRA') may become a Cooperating Affiliated Body to TARGET SHOOTING NEW ZEALAND Incorporated (TSNZ) as detailed in Clause 1.4.6 of the TSNZ Constitution.
- 1.E.2 These Articles of Affiliation are an addendum to the Constitution of TSNZ enacted as Bylaws as provided under Clause 1.4.6 of that Constitution.
- 1.E.3 The NISRA shall be recognized by TSNZ as a Cooperating Affiliated Body upon payment of the appropriate fee set by the TSNZ Annual General Meeting.
- 1.E.3.2 If such fees are in default as at 30 June of any year, Clause 1.12.4.4 of the TSNZ Constitution shall apply.
- 1.E.4 TSNZ shall recognize the NISRA as the regulating body governing those events specified in the letter of application dated July 1994.
- 1.E.5 The NISRA shall conduct such events under TSNZ Rules of Conduct pertaining to Indoor, Outdoor, and, Air Rifle Shooting.
- 1.E.6 TSNZ shall accord the NISRA the right to have one Delegate present at the TSNZ Annual General Meeting, (at no cost to TSNZ), and to receive Minutes and copies of Rules Amendments enacted at such meetings.
- 1.E.6.1 The NISRA Delegate may be accorded speaking rights at the Annual General Meeting at the discretion of the Chairman.
- 1.E.6.2 The NISRA shall have no vote at any meeting of TSNZ either by Delegation or by Proxy. The Delegate shall forfeit any voting power accorded to him/her by any other provision of the TSNZ Constitution.
- 1.E.7 The NISRA shall not be permitted to forward Remits as detailed in Sections 1.10 and 1.11 of the TSNZ Constitution but may forward material for consideration as, Business for Which Notice Has Been Given.
- 1.E.8 These Articles of Affiliation may be dissolved upon one month's notice in writing being given by either TSNZ or the NISRA.
- 1.E.9 Neither party shall be required to show just cause or reason for such notice of dissolution.

Signed:

President TSNZ

Enacted: 31 July 1994

Signed:

President NISRA

Confirmed: 29 October 1994

SECTION 1 SCHEDULE F

A BYLAW OF TARGET SHOOTING NEW ZEALAND INCORPORATED

1.F ARTICLES OF AFFILIATION - OCSRA

- 1.F.1 These Articles of Affiliation define the conditions whereby the Otago Combined Smallbore Rifle Associations ('the OCSRA') may become a Cooperating Affiliated Body to TARGET SHOOTING NEW ZEALAND Incorporated, (TSNZ) as detailed in Clause 1.4.6 of the TSNZ Constitution.
- 1.F.2 These Articles of Affiliation are an addendum to the Constitution of the TSNZ enacted as Bylaws as provided under Clause 1.4.6 of that Constitution.
- 1.F.3 The OCSRA shall be recognized by TSNZ as a Cooperating Affiliated Body upon payment of the appropriate fee set by the TSNZ Annual General Meeting.
- 1.F.3.1 Such fees shall be forwarded to TSNZ by 30 May in each year.
- 1.F.3.2 If such fees are in default on 30 June of any year, Clause 1.12.4.4 of the TSNZ Constitution shall apply.
- 1.F.4 TSNZ shall recognize the OCSRA as the regulating body governing those events specified in the letter of application dated October 1993.
- 1.F.5 The OCSRA shall conduct such events under TSNZ Rules of Conduct pertaining to Indoor, Outdoor, and, Air Rifle Shooting.
- 1.F.6 TSNZ shall accord the OCSRA the right to have one Observer present at the TSNZ Annual General Meeting, (at no cost to TSNZ).
- 1.F.6.1 The OCSRA Observer may be accorded speaking rights at the Annual General Meeting at the discretion of the Chairman.
- 1.F.6.2 The OCSRA shall have no vote at any meeting of TSNZ either by Delegation or by Proxy. The Observer shall forfeit any voting power accorded to him/her by any other provision of the TSNZ Constitution.
- 1.F.7 The OCSRA shall not be permitted to forward Remits as detailed in Sections 1.10 and 1.11 of the TSNZ Constitution.
- 1.F.8 These Articles of Affiliation may be dissolved upon one months notice in writing being given by either TSNZ or the OCSRA.
- 1.F.9 Neither party shall be required to show just cause or reason for such notice of dissolution.

Signed:
President TSNZ
Enacted: 30 October 1993

Signed:
President OCSRA
Confirmed: 30 October 1994

SECTION 1 SCHEDULE G

1.G ADMINISTRATIVE BYLAWS

1.G.1 Open Championship Results

- 1.G.1.1 Each Association or Club that organizes an Indoor, Outdoor or Air Rifle Open Championship shall provide a complete graded list of the scores recorded by each individual competitor in such Championship. The details to be provided shall include TSNZ number, Preferred First Name, Surname, Club, and total score achieved.
- 1.G.1.2 One copy of the results detailed in Clause 1.G.1.1 shall be forwarded to the Executive Officer with the Levies detailed in Clause 1.A.3 of the TSNZ Constitution.

1.G.2 Electoral Nominations

- 1.G.2.1 Where only the required number of nominations as there are vacancies are received for any single position or number of positions required under the provisions of the Postal Ballot detailed in 1.7 of the TSNZ Constitution, confirmation of the nominees shall be held over to the Annual General Meeting.
- 1.G.2.2 Where fewer nominations are received than there are vacancies for any number of positions required under the provisions of the Postal Ballot detailed in 1.7 of the TSNZ Constitution, confirmation of the nominations received shall be held over to the Annual General Meeting. Nominations from the floor shall then be called to fill any remaining vacant positions.
- 1.G.2.3 In addition to the required personal history, detailed in Rule 1.7.1.3 of the Constitution, all nominees shall be required to provide for circulation, a signed disclosure document detailing any of the following:
- a) Any firearms related convictions within the past ten years;
 - b) Any bankruptcy, insolvency or convictions relating to financial misconduct, within the previous ten years;
 - c) Any personal or financial interest in a commercial entity which deals in similar commodities, goods and services as may be provided to the members of TSNZ Inc.
- 1.G.2.4 Any Executive Member, Office Bearer or Representative of TSNZ Inc, who by the disclosure of information obtained during their association with TSNZ Inc, derives any business advantage from their association with TSNZ Inc, may be suspended for misconduct, subject to the provisions of Rule 1.18 of this Constitution. Proceedings under this provision shall not preclude or prejudice legal action for damages resulting from the misconduct.

1.G.3 National Records

- 1.G.3.1 National records shall be recognized upon confirmation of an application submitted to the Executive on the form provided and available from the Executive Officer. Official documentation of the score achieved shall be required.
- 1.G.3.2 Applicants must be members of TSNZ and either of New Zealand citizenship or having been continuously resident in New Zealand for a period of 12 months prior to the event for which the National record is being claimed.
- 1.G.3.3 Applications shall only be considered for records set in the following events:

	Male / Junior Male	and	Female / Junior Female
Prone	50m		60 shots
3 x 40	50m		120 shots
Air Rifle			60 shots

- 1.G.3.4 Applications must relate to a score recorded in the specific event and category being contested.
(Example) Junior Male – Air Rifle
Applications covering multiple categories with the same score shall not be considered.
- 1.G.3.5 Applications shall only be considered for scores recorded on single shot or two shot diagrams and marked electronically, or shot on electronic target systems, from the following:
- (a) Any TSNZ Designated Match;
 - (b) Any event (including Teams Events) held as part of the TSNZ New Zealand National Championship programme, apart from informal fun events;
 - (c) The National Championship of any ISSF affiliate.
 - (d) Any ISSF approved event.

1.G.4 Information Collection and Distribution

- 1.G.4.1 TSNZ shall be entitled to collect such information as may be required to enable the administrative functions of the Association to be properly conducted in accordance with the provisions of this Constitution.

- 1.G.4.2 The collection, storage, and distribution of such information shall be conducted in a manner that complies with the requirements of the Privacy Act 1993 and subsequent amendments.
- 1.G.4.3 Such information shall be deemed to be the property of the Association and subject to the provisions of Section 14 of the Incorporated Societies Act.
- 1.G.4.4 Member Associations shall be entitled to receive on request any Information held by TSNZ relating to their Association, affiliated Clubs, or Members within that Association's agreed area of influence.
- 1.G.4.5 Member Associations shall be entitled to receive on request any information held by TSNZ relating to the scores / grades achieved by individual Members of TSNZ. In distributing such information TSNZ shall ensure that only the Association / Club, Members name, grade and score are disclosed.
- 1.G.4.6 Any information requested by Member Associations shall be distributed in a format currently in use by TSNZ.
- 1.G.4.7 TSNZ may make a charge for information supplied, other than that provided for elsewhere in the Constitution or Rules.

1.G.5 Merit Awards

- 1.G.5.1 **Bronze Merit Award** - For the completion of projects or activities furthering the Objects of TSNZ Inc which bring obvious benefit to the sport of target shooting in New Zealand. This award is in recognition of:

- a) Contributions to the sport of a singular nature, or
- b) Club service, or
- c) Association service.

- 1.G.5.2 **Silver Merit Award** - For activities furthering the Objects of TSNZ Inc. This award is in recognition of:

- a) Administrative service at Association level, or
- b) Administrative service at National level, or
- c) Service by any member who, through participation, promotion, coaching or any other community activities, has raised the public awareness of target shooting to the obvious benefit of the sport.

It would normally be expected the recipients of this award to have performed meritorious service to the sport of target shooting for more than five years.

- 1.G.5.3 **Gold Merit Award** - For activities furthering the Objects of TSNZ Inc. This award is in recognition of:

- a) Administrative service at National level, or
- b) Service by any member who, through participation, promotion, coaching or other community activities, has raised the public awareness of target shooting to the obvious benefit of the sport

It would normally be expected the recipients of this award to have performed meritorious service to the sport of target shooting for more than ten years.

1.G.6 Standing Orders

Enforced at the discretion of the Chairperson.

Any issue or event not covered by these Standing orders shall be resolved by a decision of the Chairperson.

- 1.G.6.1 **Motions**

Once moved, seconded and accepted by the Chairperson a motion becomes the property of the meeting.

If the mover and/or seconder wish to withdraw the motion they can only do so through the Chairperson and with the leave of the meeting by a majority.

The mover cannot withdraw a motion without the consent of the seconder. If any amendment has already been moved the original motion cannot be withdrawn until the amendment has been withdrawn, adopted or rejected.

The Chairperson may require the division of a long or complicated motion. Such a division may either be into separate parts that are dealt with sequentially or onto separate motions for the ease of debate.

The mover of a motion is entitled to speak first in the debate.

The seconder of a motion is entitled to speak immediately after the mover or to reserve the right to speak later in the debate.

The mover and seconder may speak to an amendment even if he or she has already spoken.

Debate on a motion is subject to the control of the Chairperson.

After the mover and seconder have spoken, the Chairperson will recognize other speakers in an order chosen at his or her discretion, but generally on the principle of alternate speakers of for and against the motion.

As a general rule members may speak only once on a motion apart from the mover who has the right of reply at the end of the debate. The exceptions are when:

- The motion is debated in parts;
- Amendments are moved;

A member claims the right to make a personal explanation;

A Procedural motion is moved.

At the Chairperson's discretion a previous speaker is allowed to explain an earlier speech but not introduce a new matter.

The mover's right of reply is confined to summarising the case for the motion and to rebutting the arguments for the opposition. No new material should be raised during the right of reply unless it is strictly relevant to rebuttal.

When speaking, members must avoid irrelevant, offensive, tedious or repetitious material.

After the motion has been adequately debated the Chairperson puts it to the vote.

1.G.6.2 **Personal Explanation**

When a member is misquoted during a meeting, or where a member's actions are questioned or criticised, the Chairperson will permit the member to make a personal explanation.

1.G.6.3 **Amendments**

The mover and seconder of an amendment must not previously have spoken to the original motion or have previously moved or seconded any other amendment.

An amendment should be relevant to the motion and should not be so contrary to the motion as to negate it.

An amendment requires a mover and a seconder and must be accepted by the chairperson before any discussion or debate takes place.

The Chairperson may decline to accept an amendment only if it:

- Negates the motion;
- Is not relevant to the motion;
- Is moved or seconded by an earlier speaker to the motion or any other amendments;
- Is beyond the objectives and powers of the organization or the scope of the meeting;
- Is similar to another amendment already lost;
- Is ambiguous, vague or poorly phrased;
- Is contrary to proper parliamentary practice;
- Is contrary to law.

Once moved and seconded and accepted by the Chairperson the amending motion becomes the property of the meeting.

The mover of an amendment is entitled to speak first in the debate on the amendment.

The seconder of an amendment is entitled to speak immediately after the mover or to reserve the right to speak later in the debate.

Debate on an amendment is subject to the control of the Chairperson.

An amendment may not itself be amended.

The mover of the amendment is entitled to a right of reply, summarizing the case for the amendment, and rebutting the arguments for the opposition.

After the amendment has been adequately debated the Chairperson puts it to the vote.

If passed the amendment is incorporated in the motion, and debate resumes on the amended motion.

Before debate resumes on the amended motion the Chairperson will restate the motion as it stands, after incorporating the amendment.

1.G.6.4 **Points of Order**

Any member is entitled to raise a point of order, and a point of order may interrupt a speaker because it should be raised as soon as the infringement occurs.

Points of order relate to the proper conduct (order) of the meeting and include:

- Action contrary to the constitution or standing orders;
- Lack of a quorum;
- Disorder;
- Use of insulting, improper or defamatory language;
- Improper actions of other members, including misrepresentations;
- Failure to put a motion to the vote;
- Failure to declare the result of the vote;
- Where irrelevant material is mentioned in the debate; and
- Where a member attempts to speak more than once in a debate.

The speaker will yield to the member raising the point of order and resume his or her seat until the point of order has been dealt with.

A point of order will be stated briefly by the person raising it and may be debated briefly. The Chairperson's ruling is final unless challenged.

1.G.6.5 Procedural Motions

A procedural motion seeks the support of the meeting to conduct the business of the meeting in a certain way by altering the rules of debate or diverting the issue from the meeting. The change may be permanent or temporary.

The following procedural motions dispose of a substantive motion permanently:

"That the question be now put"

"That the question not now be put"

"That the meeting proceeds to the next business"

"That the motion/amendment be withdrawn"

"That the motion lies on the table"

The following procedural motions dispose of a substantive motion temporarily:

"That the motion/issue be referred to a committee"

"That the debate be adjourned"

"That the meeting be adjourned"

The conduct of the meeting may also be the subject of other procedural motions.

Time limit motions which affect the time allowed for speakers in a debate or meeting, or the length of the meeting itself.

Motions that may require decisions by the meeting:

Such motions may include motions to suspend any standing orders, to rearrange the order of items on the agenda, to go into committee, or divide another motion into parts.

**TARGET SHOOTING
NEW ZEALAND
INCORPORATED**



**RULES OF CONDUCT
INDOOR COMPETITION**

1 November 2023

TABLE OF CONTENTS

INDOOR COMPETITION

SECTION 2 - RULES OF CONDUCT - INDOOR COMPETITION	25
2.1 GENERAL	25
2.2 SAFETY	25
2.3 RANGE STANDARDS	26
2.4 EQUIPMENT AND CLOTHING STANDARDS	26
2.5 TARGET STANDARDS	27
2.6 SHOOTING POSITION	28
2.7 PHYSICAL DISABILITY PROVISIONS	28
2.8 SCORING PROCEDURES	28
2.9 GRADING OF MEMBERS	31
2.10 COMPETITION OFFICIALS	31
2.11 COMPETITION CONDITIONS	32
2.12 POSTAL COMPETITIONS	34
2.13 INTER-ISLAND COMPETITION	35
2.14 INTERNATIONAL MATCHES	38
SECTION 2 APPENDIX A - BUTTPLATE AND HOOK	39
SECTION 2 APPENDIX B - TSNZ LIAISON OFFICER.....	40
SECTION 2 APPENDIX C - SCORING GAUGE FOR INDOOR TARGETS	41
SECTION 2 APPENDIX D - NATIONAL INDOOR CHAMPIONSHIP	42
SECTION 2 APPENDIX E - NATIONAL DISTRICT CHAMPIONSHIP.....	42
SECTION 2 APPENDIX F - INDOOR TARGETS SPECIFICATION – 2012	43
SECTION 2 APPENDIX G - ELECTRONIC TARGETS.....	44

Section 2 - RULES OF CONDUCT - INDOOR COMPETITION

These Rules cover the conduct and management of Indoor Competition at National and local level.

2.1 GENERAL

- 2.1.1 These Rules shall apply to all TSNZ sanctioned events, TSNZ Postal Championships, and Open Championship or Open Sweepstake events conducted by Associations and Directly Affiliated Clubs.
- 2.1.2 Any system, practice, device or accessory which may give a shooter an advantage over others and which is not mentioned in these Rules, or which is contrary to the spirit of good sportsmanship, is prohibited.
- 2.1.3 Any order exhibited by the Range Committee at the entry point of any event shall be binding on all competitors (see Rule 2.10.1.4).
- 2.1.4 These Rules, and any orders issued in accordance with Rule 2.1.3, shall be subject to and comply with, current NZ Firearms Legislation.
- 2.1.5 Any Member of TSNZ has the right to refer any matter, or appeal any local ruling, to the TSNZ Executive, which shall be the final arbiter on disputes and matters of interest. These referrals or appeals will be considered by reasons of natural justice and interpretation of the intent of the TSNZ Indoor Rules, and must be received by the TSNZ Executive within 28 days of the matter occurring or receipt of the local ruling.
- 2.1.6 **Definitions of Competitors:**
- First-year competitor** - one who has not been a shooting member of any rifle Club of any calibre.
- Junior** - A competitor who is under the age of twenty-one years on the 31st December in the year of competition. Proof of age may be required.
- Veteran** - A competitor who is sixty years of age or over on the first day of the particular competition. Proof of age may be required.

2.2 SAFETY

- 2.2.1 The safety of competitors, range officials, and spectators requires continued attention to safe firearms handling. Self-discipline is necessary on the part of all concerned. Where such discipline is lacking, it is the duty of range officials to enforce discipline, and the duty of all members of TSNZ to assist and encourage such enforcement.
- 2.2.2 The Range Committee is responsible for overall safety. The Range Committee may establish further safety rules considered necessary for any particular venue.
- 2.2.3 The Range Officer is responsible for safety on the firing point and must ensure that the commands are obeyed and that all firearms are handled safely.
- 2.2.4 Any competitor who acts in an unsafe manner or fails to respond to the commands of the Range Officer, shall be required to stop firing immediately and the matter shall be reported to the Range Committee for consideration.
- 2.2.5 Any person who has consumed alcohol or other substance which may render him/her unsafe to handle firearms, shall not participate in any shooting competition while under the influence of the alcohol or other substance.
- 2.2.6 The actions of all rifles containing the bolt or lever action must remain open with a safety flag inserted at all times, except when on the firing point and until after the Range Officer has turned the red light off and given instructions to remove safety flags.
- 2.2.7 At the commencement of each detail shooters may not get into position until the range has been cleared of personnel, and the red light has been turned off.
- 2.2.8 Rifles must only be loaded on the firing point with the muzzle pointing forward of the firing line after the appropriate instruction has been given by the Range Officer.
- 2.2.9 Should it be necessary for personnel to go forward of the firing line during the course of a detail (for instance to replace a target), the range officer shall give the cease fire command, and ensure that all rifles are unloaded, with butts on the ground, and safety flags inserted, and the red light turned on before allowing personnel on the range.
- 2.2.10 A rifle is considered to be loaded when a live round is on the loading ramp or in the breech, regardless of whether the action is open or closed, and at any time when the action is closed.
- 2.2.11 The final locking of the action shall not take place until the butt of the rifle is in contact with the competitor's shoulder and the muzzle is pointed in a safe direction towards the target(s).
- 2.2.12 Upon the command "SHOOTERS, STOP AND UNLOAD" competitors must stop shooting immediately, unload their rifles and, with the action open, lower the butts to the ground.
- 2.2.13 At the end of the detail the Range Officer shall give the command "SHOOTERS, CHECK THAT YOUR ACTIONS ARE CLEAR AND SAFETY FLAGS ARE INSERTED". The Range Officer shall verify that all actions are clear and safety flags are in before the rifles are taken from the firing point.
- 2.2.14 Should personnel be required to move forward of the firing line the red light shall be turned on, rifles shall be unloaded with the actions open, safety flags inserted, and the butts placed on the ground.
- 2.2.15 All competitors, officials and other people in the immediate vicinity of the firing point must wear earplugs, earmuffs or similar hearing protection during live firing.

2.3 RANGE STANDARDS

- 2.3.1 Ranges must have a line of targets and a firing line parallel to the target line. The firing line shall be clearly marked with a line with a maximum width of 25mm. The firing points are located behind the firing line and must be numbered to correspond with the targets.
- 2.3.2 Ranges may be of either 18.288 meters (20 yards) or 22.860 meters (25 yards) +/-50mm (2 inches). The length of the range is to be determined by measurement of the shortest distance between the forward edge of the firing line and the face of the targets.
- 2.3.3 The firing point shall preferably be flat. If sloped, any slope shall be towards the rear and the grade not more than 87mm in each 2 meters.
- 2.3.4 The firing point may be equipped with permanent padding not exceeding 25mm thick uncompressed.
- 2.3.5 The range shall be constructed with suitable protection that, under all normal conditions, will prevent any projectile from exiting the range perimeter.
- 2.3.6 All ranges shall have provision for the firing of warming shots while the competitor is on the firing point and in accord with Rule 2.2.8.
- 2.3.7 All ranges, both permanent and temporary, must be inspected and certified according to the current requirements of the Firearms Safety Authority. Shooting range operators shall supply a copy of the Range Certificate to the TSNZ Executive Officer within 1 month of receipt.
- 2.3.8 Regulations relating to range certification and range inspections are available from the Firearms Safety Authority. Information on the construction of new and temporary ranges is available in the current version of the NZ Police Shooting Range Manual, and additional information on range construction, target heights, lighting, and ventilation is available from the TSNZ Executive Officer.
- 2.3.9 All ranges shall be equipped with a red safety light, controlled by the Range Officer, which is easily visible to all shooters on the firing point.
- 2.3.10 Range Certificates, a list of Range Safety Inspectors, and recommendations on range construction, target heights, lighting and ventilation are available from the TSNZ Executive Officer.
- 2.3.11 **Lighting:** All ranges must have artificial illumination providing the necessary amount of light without glare or distracting shadows on the targets or firing points. The entire area must be evenly illuminated with not less than recommended minimum 300 lux.
- 2.3.11.1 Targets must be illuminated evenly with not less than 1000 lux. The background area behind the targets must be a non-reflecting, medium, neutral colour. If fluorescent lights are used, multiple tubes working "out of phase" must be provided.
- 2.3.11.2 Measuring of the target illumination (minimum of 1000 lux) must be done with the measuring device held at the level of the target and pointed towards the firing point.
- 2.3.11.3 Measuring general range illumination (minimum 300 lux) must be done with the measuring device held at the firing point and midway between the firing point and the target line, with the device directed towards the ceiling illumination.

2.4 EQUIPMENT AND CLOTHING STANDARDS

2.4.1 General

- 2.4.1.1 All specified equipment, apparel and accessories shall comply with the standards set out in these rules.
- 2.4.1.2 Any member of the Range Committee, or the Range Officer, may inspect any item of a competitor's equipment, apparel or accessories specified in these rules. Any item found to contravene these rules shall be barred from competition.

2.4.2 Rifles

- 2.4.2.1 Any rifle chambered for 5.6mm (.22 cal.) long rifle rimfire cartridges is permitted, provided it is of a type that can be loaded singly. A magazine, if fitted, may not be used.
- 2.4.2.2 A free trigger is permitted where this has been specifically provided for at the point of manufacture, or by the fitting of a custom trigger. Any rifle unable to withstand the normal handling and operation associated with the sport without any risk of accidental discharge must be barred from use until judged safe by the Range Committee.
- 2.4.2.3 The use of a butt plate and butt hook conforming to the standards set out in Section 2 APPENDIX A is permitted.
- 2.4.2.4 The use of barrel extenders and tuners is permitted.
- 2.4.2.5 The weight of the rifle with all other attachments used by the competitor, but excluding the sling, shall not exceed 8 kilograms.
- 2.4.2.6 The use of a muzzle brake or compensator is prohibited.

2.4.3 Sights

- 2.4.3.1 Any form of 'open' or 'aperture' sight, fixed or adjustable, is permitted.

- 2.4.3.2 Foresight elements of plastic or metal, iris foresights, and all neutral diopter light filters, are permitted.
- 2.4.3.3 No magnifying combination of lenses is permitted, except that one lens not exceeding 0.5 diopter (1.5 magnification) may be fitted to either the front or the rear sight. In specific cases a dispensation may be granted. Refer to Rule 2.7.5.
- 2.4.3.4 Corrective glasses or contact lenses may be worn, or a corrective lens may be fitted externally to the rear of the rear aperture sight, either alone or in addition to any lens used as specified in Clause 2.4.3.3.
- 2.4.3.5 A blinder may be attached to the rifle or the rear sight.
- 2.4.3.6 Telescopic or electronic sights, including light emitting devices, are prohibited.

2.4.4 Ammunition

- 2.4.4.1 Rimfire 5.6mm (.22 cal.) long rifle. Only solid projectiles made of lead or soft lead alloy material are permitted. Hollow nose, ballistic tip and other similar projectiles are prohibited.

2.4.5 Slings

- 2.4.5.1 A sling may be made of any flexible material and shall have a maximum width of 40 mm.
- 2.4.5.2 The sling may be attached to the rifle at not more than two points.

2.4.6 Spotting Scopes

- 2.4.6.1 A spotting scope may be used to determine shot position.

2.4.7 Clothing and Padding

- 2.4.7.1 All shooting clothing, gloves, linings, padding and reinforcements must be made of soft, flexible and pliable material.
- 2.4.7.2 Padding is permitted only on the outside of the shooting coat, in the following places:
 - (i) On the shoulder that supports the butt;
 - (ii) On the sling arm from the armpit to a point 100mm from the end of the sleeve;
 - (iii) On the other elbow at a length not exceeding 300 mm.
- 2.4.7.3 The total thickness of padding (including the jacket and lining) shall not exceed 10mm compressed. Strap-on elbow pads may be worn provided the 10mm total compressed thickness is not exceeded.
- 2.4.7.4 Padding on the sleeves may not exceed one-half of the circumference of the sleeve.
- 2.4.7.5 Only one hook, loop, button or similar device may be fastened to the outside of the sleeve or shoulder seam on the sling arm to prevent the sling slipping down the arm.
- 2.4.7.6 A padded glove may be used on the hand of the sling arm. The cuff of the glove shall not extend more than 50mm above the wrist knuckle. The glove must be fully flexible, containing no material that may provide additional support. Total glove thickness, front and back combined, shall not exceed 12mm compressed.
- 2.4.7.7 No additional padding of any type may be attached or used on the person in any form.

2.4.8 Shooting Mats

- 2.4.8.1 Portable rectangular mats, made of material that conforms to Rule 2.4.7.1, and not more than 850mm wide, may be used in addition to permanent mound padding and elbow padding.
- 2.4.8.2 The front portion of the mat, not exceeding 500mm by 750mm, may be made of a compressible material not more than 50mm thick uncompressed.
- 2.4.8.3 A shooting mat shall not cause interference to any other competitor on the firing point.

2.4.9 Gauges

- 2.4.9.1 TSNZ-approved gauges shall be:
 - a) a wide flange type suitable for either the 18.288 metre (20 yards) or 22.860 metre (25 yards) standard targets and shall conform to the detailed dimensional drawing contained in Section 2, APPENDIX C.
 - b) a plug gauge with a diameter of 5.60mm (+0.00mm and -0.05mm), which shall only be used for testing the outermost scoring ring (i.e. testing between a score of 5 or 4).
- 2.4.9.2 TSNZ-approved gauges may be purchased from TSNZ Trading or any other person approved by TSNZ.

2.5 TARGET STANDARDS

- 2.5.1 PAPER targets recognised by TSNZ for Indoor competition shall comply with Specification in Section 2, APPENDIX F.
- 2.5.2 ELECTRONIC targets recognised by TSNZ for Indoor competition shall comply with Specification in Section 2, APPENDIX G.

2.6 SHOOTING POSITION

- 2.6.1 The competitor shall lie on the firing point with the body extended and the head toward the target. Both hands and one shoulder may support the rifle only. While aiming, the cheek may be placed on the rifle stock. The rifle or any accessories must not touch or rest against any other point or object. Both forearms and sleeves of the shooting jacket forward of the elbow must be visibly raised from the surface of the firing point or shooting mat. The sling forearm must form an angle of not less than thirty degrees from the horizontal, measured from the axis of the forearm.
- 2.6.2 The rifle may be supported by the sling, but no part of the rifle may touch the sling or its attachments other than at the normal attachment points. The sling may be braced to one arm only (see Rule 2.7 for dispensation provisions).
- 2.6.3 The butt of the rifle must be placed on the outside of the shooting jacket.
- 2.6.4 No part of the competitor's body shall rest forward of the marked firing line.
- 2.6.5 No artificial rest of any kind is permitted but in specific circumstances a dispensation may be granted (refer to Rule 2.7).

2.7 PHYSICAL DISABILITY PROVISIONS

- 2.7.1 The Range Officer may authorise another person to act for any competitor who, due to physical disability, is unable to adjust the sights.
- 2.7.2 The use of a double arm sling, where such is necessary, is permitted.
- 2.7.3 The use of an artificial arm is permitted, provided it is being used solely as a substitute for a natural arm.
- 2.7.4 Any competitor who, by reason of physical handicap other than an artificial arm, cannot support a rifle in the manner required by these Rules may apply for a dispensation.
- 2.7.5 Any competitor suffering from defective eyesight and whose condition the provisions of Rule 2.4.3.4 cannot rectify may apply for dispensation to use additional optical aids.
- 2.7.6 Dispensations granted under this Section shall continue for not more than five years. Applications for renewal of a dispensation shall be made not less than three months prior to the expiry date of the dispensation in accordance with Rule 2.7.8.
- 2.7.7 Where a surgical procedure or other treatment is undertaken prior to the date of renewal to correct or modify a physical or optical disability for which a dispensation has been granted, the dispensation shall be void and a further application must be made if required.
- 2.7.8 Applications for dispensations shall be made to the Executive of TSNZ through the local Association and be accompanied by evidence sufficient to prove the dispensation is necessary to allow the applicant to participate in the sport to the best of his/her ability. Medical certificates or Optometrists certificates shall be considered the minimum evidence to be submitted. Photographs of any aids required are recommended.

2.8 SCORING PROCEDURES

- 2.8.1 **For PAPER TARGETS** specified in Rule 2.5.1:
 - 2.8.1.1 Scoring shall be carried out by two people, appointed by the local Association, working together, one of whom shall mark and the other who shall check mark. Check marking shall include confirming the value of any shot that is tested and confirming the total score for the target.
 - 2.8.1.2 The value of the shot (except for an inner ten where rule 2.8.1.8 will apply) shall be decided by the edge of the shot hole furthest from the centre of the target as determined by a TSNZ-approved wide flange gauge.

When the flange of the gauge touches the outside of the scoring line (ie, the intent, ignoring printing imperfections, of the white line is not visible) the lower value shall be credited.

Testing for a value 5 shot, a TSNZ-approved plug gauge shall be used, marking the outside of the line. A shot touching the aiming mark, using a plug gauge, shall be scored as 4. It is only these two shots that are to be tested with a plug gauge.

Any shot wholly outside the aiming mark shall have no score value.

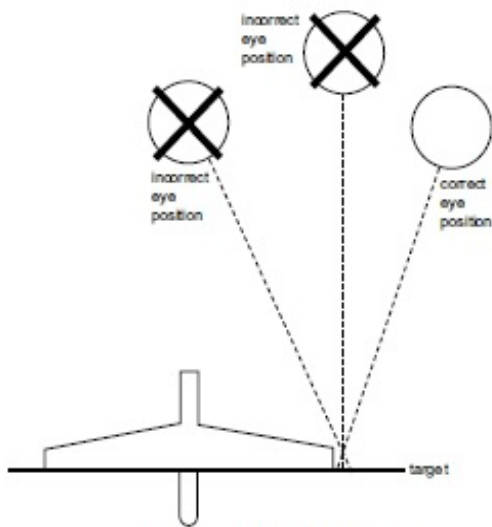


Fig. 9—SCORING TARGETS

The intended practice is to view the tester from an angle so that you can clearly see where the edge of the tester meets the paper.

- 2.8.1.3 Where a TSNZ-approved gauge is inserted in a shot hole to determine the value of the shot, the gauge shall not be removed from the target until the value of the shot is finally determined.
- 2.8.1.4 When scoring targets, the value of each shot shall be shown in Arabic numerals alongside the appropriate diagram.
- 2.8.1.5 If the shot is tested, the letter 'I' if the shot is 'in' and 'O' if the shot is 'out' shall be placed alongside the diagram to indicate the result of the testing. The value of the shot shall then be shown beneath the 'I' or 'O'. If the shot was being tested for an inner and the shot tests in, the value to be shown is to be 10.1, otherwise the value to be shown is to be 10.0.
- 2.8.1.6 All shots which are tested are to be checked by a check-marker before gauges are removed. Once checked, the letter 'T' shall be placed alongside the 'I' or 'O' to indicate it has been checked and agreed with.
- 2.8.1.7 If a tested value is not agreed with between the marker and the check-marker it shall be examined by a second check-marker, whose decision shall be final. A further 'T' shall then be added, and the second check-marker shall initial alongside the appropriate diagram.
- 2.8.1.8 When a TSNZ-approved wide flange gauge has been inserted in the shot hole and the intent, ignoring printing imperfections, of the "Inner Gauging" ring is not visible, the value shall be shown as 10.1.
- 2.8.1.9 **SCORING PENALTIES:** The following scoring penalties and irregularities shall apply in all competition:
- 2.8.1.9.1 **TOO MANY SHOTS ON SIGHTING DIAGRAM** - If the sighting diagram has more than the maximum of three permitted shots and:
- The total number of shots, including sighting shots, is not more than 13 (100 possible) or 23 (200 possible), then the three highest valued shots on the sighting diagram shall be discounted and the remainder shall be treated as counting shots. A penalty deduction of one point for each excess shot fired on the sighting diagram shall be imposed.
 - The total number of shots, including sighting shots, exceeds 13 (100 possible) or 23 (200 possible), then the three highest valued shots on the sighting diagram shall be discounted and the remainder shall be treated as counting shots and Rule 2.8.1.9.3 shall apply.
- 2.8.1.9.2 **SIGHTING SHOTS PLACED ON COUNTING DIAGRAM**
- If the first or second sighting shot misses the target or is fired onto a counting diagram there shall be no penalty. The Range Officer shall be notified before the next shot is fired. Should a third sighting shot be fired which scores on a counting diagram, either on the competitor's own target or as a cross-fire onto a target other than their own, then counting shots shall be deemed to have commenced, and the shot treated and scored accordingly.
 - Should a completed target have only one sighting shot then the highest counting shot shall be regarded as a sighting shot and discounted.
 - Should a completed target have no sighting shots, then the two highest counting shots shall be regarded as sighting shots and discounted.
 - Failure to notify the Range Officer before commencing counting shots will deem the shooter to have fired the number of sighting shots that appear on the sighting diagram.
- 2.8.1.9.3 **EXCESS SHOTS ON TARGETS**
- If a target has more than the number of counting shots required for the competition then, for each excess shot, one of the highest scoring shots shall be discounted and a penalty of two points for each excess shot fired will be imposed. If it can be verified that the excess shot(s) were fired by another competitor, the provisions of Rule 2.8.1.9.5 shall apply.

2.8.1.9.4 **OVERLOADS ON OWN TARGET**

Where a competitor places more than one shot on any counting diagram, but fires not more than the total number of counting shots specified for the competition, full credit shall be given for each shot that can be distinctly seen. A penalty of one point for each excess shot on any particular diagram shall be imposed. An inner bull overloaded shall be scored as 9.1.

2.8.1.9.5 **CROSSFIRES**

Any competitor who fires on a target other than their allocated target shall be penalised two points per crossfire. Where the actual firers of the scoring shots cannot be determined on a target which has been cross fired on, the competitor receiving the shot shall be credited with the higher value shot. If the actual firers of the shots on the overloaded diagram can be determined, then each competitor shall be credited with the value of the shots fired. The competitor who crossfires shall be penalised two points for each shot crossfired. Any competitor who fires on to the target of another competitor or fires a shot which for any reason does not register on any target, and then fires the full number of shots allowed for the competition, shall be disqualified and reported to the Range Committee for further disciplinary action.

2.8.1.10 **PROTEST PROCEDURES**

2.8.1.10.1 A competitor shall have the right to have any target re-checked in order to have obvious errors corrected or doubtful shots tested. Shots that have already been tested shall not be re-tested.

2.8.1.10.2 Competitors are responsible for ensuring their scores are correctly recorded by the statistical office and may challenge an incorrectly recorded score.

2.8.1.10.3 No protests for incorrectly marked, recorded, or missing scores shall be entertained more than 10 minutes after the posting of final match scores.

2.8.2 For **ELECTRONIC TARGETS** specified in Rule 2.5.2:

2.8.2.1 Scoring printouts must be printed for all matches shot on electronic targets.

2.8.2.2 All scoring printouts shall be checked by a person appointed by the local Association.

2.8.2.3 The value of a shot may not be challenged; the value of all shots as printed on the scoring printout shall be final.

2.8.2.4 **SCORING PENALITIES** - The following scoring penalties and irregularities shall apply in all competition:

2.8.2.4.1 **TOO MANY SIGHTING SHOTS** – if there are more than the maximum of three permitted sighting shots on a completed match printout and

i) the total number of shots, including sighting shots, is not more than 13 (100 possible) or 23 (200 possible), then the three highest valued shots on the sighting diagram shall be discounted and the remainder shall be treated as counting shots. A penalty deduction of one point for each excess shot fired on the sighting diagram shall be imposed.

ii) the total number of shots, including sighting shots, exceeds 13 (100 possible) or 23 (200 possible), then the three highest valued shots on the sighting diagram shall be discounted and the remainder shall be treated as counting shots and Rule 2.8.1.9.3 shall apply.

2.8.2.4.2 **TOO FEW SIGHTING SHOTS** – Should a completed match printout have

i) only one sighting shot then the highest counting shot shall be regarded as a sighting shot and discounted.

ii) no sighting shots, then the two highest counting shots shall be regarded as sighting shots and discounted.

Failure to notify the Range Officer before commencing counting shots will deem the shooter to have fired the number of sighting shots that appear on the match printout.

2.8.2.4.3 **CROSSFIRES** - Any competitor who fires on a target other than their allocated target shall be penalised two points per crossfire. Where the actual firers of the scoring shots cannot be determined on a target which has been cross fired on, the competitor receiving the shot shall be credited with the higher value shot. If the actual firers of the shots on the overloaded diagram can be determined, then each competitor shall be credited with the value of the shots fired. The competitor who crossfires shall be penalised two points for each shot crossfired. Any competitor who fires on to the target of another competitor or fires a shot which for any reason does not register on any target, and then fires the full number of shots allowed for the competition, shall be disqualified and reported to the Range Committee for further disciplinary action.

2.9 GRADING OF MEMBERS

- 2.9.1 For the purposes of the competitions specified in rule 2.1.1 TSNZ shall grade members into one of the five grades specified in Rule 2.9.3. A first-year competitor as defined in Rule 2.1.6 shall automatically be D grade.
- 2.9.2 For the purposes of grading all affiliated members shall hold a 'Shooters Performance Card' and shall enter all official club, championship and representative scores shot between 1 April and 30 September.
- 2.9.3 Official club scores include all scores shot at any club that are not marked as 'Practice' prior to being shot.
- 2.9.4 Affiliated shooters shall compute their grading average out of 100 by adding all scores for the grading period as specified in rule 2.9.2 and dividing the result by the number of 10 shot targets involved. A minimum of six official scores shall be required for grading purposes. The shooters grading for the next season shall then be determined from the following grading table:
- | | |
|--------------|-----------------|
| Master Grade | 97.75 - 100 |
| A Grade | 96.50 - 97.74 |
| B Grade | 94.00 - 96.49 |
| C Grade | 90.00 - 93.99 |
| D Grade | 89.99 and under |
- 2.9.5 Affiliated members shall not later than 10 October forward their completed 'Shooters Performance Card' to their Club Secretaries.
- 2.9.6 Club Secretaries shall check the calculations on the 'Shooters Performance Card' and enter the member's name, number, average score and grade on the 'Club Grading Form' as supplied by TSNZ.
- 2.9.7 Club Secretaries shall retain the 'Shooters Performance Cards' for a period of 12 months.
- 2.9.8 Club Secretaries shall not later than 31 October return the completed 'Club Grading Form' to the TSNZ Executive Officer.
- 2.9.9 The TSNZ Executive Officer shall, supply each Association, Club and Directly Affiliated Club with a master list of their own financial members confirmed gradings not later than 1 March in each year.
- 2.9.10 The level of average score as specified in Rule 2.9.3 to be attained for each grade shall be reviewed regularly at the TSNZ Annual General Meeting. The Executive shall ensure that the current seasons grading numbers are assessed each year, and if considered necessary prepare a remit for consideration at the TSNZ Annual General Meeting.
- 2.9.11 In the event of any change to grading levels, the new scores shall only be applied to scores shot after the levels have been determined.
- 2.9.12 An **ungraded competitor** may enter any competition upon provision of a certificate, signed by the member's Club Secretary, of the last six official scores prior to the competition.
- 2.9.12.1 A competitor who returns to the sport having been absent for a period of less than three years shall recommence with the grading held prior to that absence.
- 2.9.12.2 A competitor who returns to the sport after having been absent for a period of more than three years shall be graded by his/her Club on the average of six official scores.
- 2.9.12.3 The Club Secretary shall forward these gradings to the Executive Officer for an official grading and issue of a Membership Card when remitting the TSNZ Capitation Fee in compliance with Clause 1.A.1 of the TSNZ Constitution.
- 2.9.13 TSNZ, Associations, Clubs and Directly Affiliated Clubs reserve the right to grade a member who wishes to enter a championship but who has not yet obtained an official TSNZ grading or Membership Card.
- 2.9.14 The onus of entering the correct grade rests with the competitor.

2.10 COMPETITION OFFICIALS

2.10.1 RANGE COMMITTEE

- 2.10.1.1 Rifle competitions shall be under the control of a Range Committee that shall consist of at least three people. The Range Committee shall arbitrate on any matter arising during the meeting. The Committee's decisions shall be final subject to the provisions of Rule 2.1.5.
- 2.10.1.2 The Range Committee is responsible for the safety of all competitors, officials, spectators and other personnel on the range and its environs. The Committee must ensure the safety rules of TSNZ are followed.
- 2.10.1.3 The Range Committee shall verify the competence of the officials under its control to apply the Rules.
- 2.10.1.4 In all matters the Range Committee shall have due regard to the ethics of good sportsmanship and the intent of these Rules, which is to provide fair and equal conditions to all competitors, as far as is practicable.

- 2.10.1.5 Competitors shall not be present at any Range Committee meeting when matters concerning them are being discussed. A competitor shall have the right, if so desired, to state a case to the Committee prior to the conclusion of the proceedings and before a decision is made. Where teams are concerned the team captains or managers are entitled to state a case prior to the conclusion of the Range Committee's deliberations.
- 2.10.2 RANGE OFFICERS**
- 2.10.2.1 The Range Officer shall be the holder of a current Firearms Licence.
- 2.10.2.2 Every Range Officer of an Open Championship, Island, or Nationals event shall hold a current TSNZ Indoor Range Officer qualification.
- 2.10.2.3 The Range Officer shall be responsible for ensuring that unlicensed competitors on the firing point are adequately supervised by the holder of an appropriate firearms license, as required by the Arms Act 1983 and subsequent amendments.
- 2.10.2.4 The Range Officer is responsible for turning the red safety light back on at any time when shooting is not permitted.
- 2.10.2.5 The Range Officer is responsible for giving the commands "SHOOTERS LOAD", "SHOOTERS START", "SHOOTERS STOP AND UNLOAD", "SHOOTERS CLEAR ACTIONS AND INSERT SAFETY FLAGS", and other necessary commands. The Range Officer shall ensure the commands are obeyed and that the safety rules are followed.
- 2.10.2.6 The Range Officer is responsible for providing the correct time calls and for responding promptly to any abnormal condition or incident notified by competitors or other people on the range.
- 2.10.2.7 In the interests of safety the Range Officer may interrupt shooting at any time.
- 2.10.2.8 The Range Officer may order from the firing point any competitor whose behaviour or equipment constitutes a risk to safety.
- 2.10.2.9 The Range Officer shall refer to the Range Committee any competitor whose equipment is suspected of contravening the standards set out in these Rules.
- 2.10.2.10 No competitor shall be penalised or disadvantaged through following any instruction of the Range Officer.

2.11 COMPETITION CONDITIONS

- 2.11.1 Competitors are required to be familiar with these rules and competition conditions. Any rule infringements, or dishonest, discreditable or dangerous conduct at any competition sanctioned by TSNZ, shall render a competitor liable to disqualification from the competition. Subject to the discretion of the Range Committee, such conduct may be reported to the TSNZ Executive, which may impose such disciplinary action as it sees fit. Any competitor collaborating in such conduct shall be liable to the same penalties. Refer to Rule 2.1.5 for appeals to TSNZ.
- 2.11.2 ELIGIBILITY FOR COMPETITION**
- 2.11.2.1 Subject to special conditions of any competition the following are eligible to compete in TSNZ sanctioned events:
- (i) In **Individual competitions** - any financial member of TSNZ;
 - (ii) In **Teams competitions** - financial members of any Club affiliated to TSNZ. A competitor may represent more than one Club during any year, but only in different competitions in that year;
 - (iii) In **Association competitions** - financial members of any Association affiliated to TSNZ. A competitor may represent more than one Association during any year, but only in different competitions in that year;
- 2.11.2.2 No Competitor, Club or Association **not affiliated to TSNZ** shall take part in any competition conducted by any affiliated body.
- 2.11.2.3 Overseas shooters may compete in any competition provided they are affiliated members of their National Association.
- 2.11.2.4 Unless otherwise specified in the conditions, an Association or Club may enter any number of teams and take any number of prizes. No competitor may shoot for more than one team in any one competition.
- 2.11.3 SHOOTING AND SQUADDING TIMES**
- 2.11.3.1 All circulars or programmes for competitions shall state the opening and closing times of each day's squadding and/or shooting. Shooting shall only be permitted on the range between those times unless sanctioned by the Range Committee.
- 2.11.3.2 The Range Committee shall announce adjournments at least two details prior to the adjournment. When the announced number of details are completed at the end of the day, no further details shall be shot.
- 2.11.3.3 Any competitor wilfully entering under an assumed name or supplying incorrect information on any entry form shall be dealt with in accordance with Rule 2.11.1.
- 2.11.3.4 Competitors shall fire over the numbers on the firing point that correspond to their allocated targets.
- 2.11.3.5 Only competitors actually firing are allowed on the firing point. Coaches, spotters and others authorised by the conditions of the competition shall be permitted to occupy the rear of the firing point only.

2.11.4 **PRACTICE SHOOTING**

2.11.4.1 The Range Committee may allow Practice shooting before or during a competition where conditions and circumstances permit. After a practice shoot a competitor must leave the firing point before shooting a competition target. No competitor shall have a practice target on the target frame at the same time as a competition target.

2.11.5 **SPOTTING**

2.11.5.1 In all events, competitors may either spot for themselves or may have their shots spotted by another person from the rear of the firing point only.

2.11.5.2 Spotting is restricted solely to a description of the shot placement using the 'CLOCK' method. Spotters shall not move on to the firing point for any purpose without the consent of the Range Officer. A spotter may also act as a coach for a competitor allowed coaching.

2.11.6 **COACHING**

Coaching is where a competitor receives advice or instruction during the competition.

2.11.6.1 Coaching is permitted for C & D Grade competitors only and may be conducted from the rear of the firing point only.

2.11.6.2 Any coaching of C & D grade shooters on the range must be carried out with minimum disturbance to other competitors.

2.11.7 **RANGE PROCEDURES**

2.11.7.1 In a competition consisting of more than one match, a competitor may shoot in consecutive details or squads provided the competitor leaves the firing point between details or squads.

2.11.7.2 Competitors may load when instructed and fire on the command "SHOOTERS START" and may not fire after the command "SHOOTERS STOP". Time will be taken from the signal "SHOOTERS START" and any shot fired after the command "SHOOTERS STOP" will be disallowed.

2.11.8 **COMPETITION TIMING**

2.11.8.1 The time limit shall be twelve minutes for a ten-shot match (100 possible) and twenty-two minutes for a twenty-shot match (200 possible), inclusive of sighting shots permitted under Rule 2.11.9.

2.11.8.2 A maximum period of one minute shall be allowed for the firing of warmer shots prior to commencement of the competition timing.

2.11.8.3 For a 10 shot match, the intermediate time call will be given at six (6) minutes to go and a 20 shot match intermediate call will be given at ten (10) minutes to go, and a verbal warning must be given two minutes before full time expires.

2.11.9 **SIGHTING SHOTS**

2.11.9.1 Two compulsory shots and one additional optional sighting shot shall be permitted on the designated sighting diagram, prior to the commencement of counting shots (see Rules 2.8.1.9.2, 2.8.2.4.1, 2.8.2.4.2).

2.11.9.2 For PAPER TARGETS:

(i) The sighting diagram shall be the centre diagram on an eleven-diagram target.

(ii) Where multiple targets are used, all but one of the sighting diagrams shall be defaced in a manner that can be seen by the naked eye from the firing point.

(iii) In twenty shot matches the two targets shall be placed adjacent, horizontally, on the target frames.

2.11.9.3 For ELECTRONIC TARGETS:

i) All sighting shots must be fired with the target control system in "Sighting" mode.

ii) It is the shooter's responsibility to change from "Sighting" mode to "Match" / "Competition" mode before firing any counting shots.

2.11.9.4 Disqualification for misconduct shall not necessarily involve the loss of scores made by a competitor in team matches prior to the offence being committed unless the Range Committee decides otherwise.

2.11.10 **TIE BREAKING**

2.11.10.1 Unless otherwise stipulated in the program, and displayed at the point of entry, individual ties shall be decided in the following manner:

1. By the aggregate of inners over all targets; if still a tie then

2. By count back over the totals of ten-shot or 20 shot strings including inners, commencing with the last target; if still a tie then

3. By a shoot off as stipulated at the point of entry by the Range Committee.

2.11.10.2 Team ties for the first three places shall be decided as follows:

By the team aggregate of inners; if still a tie then

By totalling the results of all team members by ten-shot strings and following the procedures set out in Rule; if still a tie then

The tied teams shall be listed equally in alphabetical order of team names.

2.11.11 MALFUNCTIONS

- 2.11.11.1 Where a malfunction occurs resulting in a rifle failing to fire a projectile which exits the barrel when the trigger is pulled the competitor shall be permitted to complete the target in a later detail or squad, once the fault has been rectified. The competitor may also elect to use a substitute rifle or accessory.
- 2.11.11.2 The only defective cartridge that shall be recognized is one where the projectile does not leave the muzzle end of the barrel. Once the blockage has been cleared another cartridge may be used and the shoot completed in accordance with Rule 2.11.11.4. Where a projectile leaves the muzzle end of the barrel and for any reason whatsoever does not hit any target, the competitor shall lose the shot.
- 2.11.11.3 If an individual electronic target malfunctions, the shooter shall be permitted to complete the target in a later detail or squad and the shoot completed in accordance with Rule 2.11.11.6.
- 2.11.11.4 If an individual shooter cannot complete their shoot within the allotted time for any reason outside their control, other than the provisions set out in Rules 2.11.11.1, 2.11.11.2 or 2.11.11.3, the shooter shall have the right to claim completion of the shoot in accordance with Rule 2.11.11.6
- 2.11.11.5 If for any reason outside the shooters' control the entire squad/detail cannot complete their shoot within the allocated time, the Range Officer shall note the time remaining at the point the stoppage occurs. If the reason for the stoppage can be rectified within a reasonable time the entire squad/detail shall be re-started using the remaining time plus 1 minute, during which all shooters shall be allowed one additional sighting shot prior to commencing their competition firing. If the reason for the stoppage cannot be rectified within a reasonable time the squad/detail shall be abandoned.
- 2.11.11.6 Where a competitor elects to complete a shoot under Rules 2.11.11.1 or 2.11.11.2 or 2.11.11.3 or 2.11.11.4, one sighting shot plus time equivalent to one minute per counting shot remaining shall be allowed to complete the target.

2.12 POSTAL COMPETITIONS

- 2.12.1 Annual postal competitions shall be arranged by the TSNZ Executive and the relevant advertisements shall be forwarded to all associations and clubs not later than 31 March in each year.
- 2.12.2 The postal competitions shall include:
- 2.12.2.1 A Season's Aggregate in all grades;
- 2.12.2.2 An Individual Championship in all grades and for Women, Juniors and Veterans;
- 2.12.2.3 Inter-club and Association teams matches in all grades, plus Women, Junior and Veteran team matches and Combined club teams.
- 2.12.3 The postal match format shall be set out in the annual advertisement and may be amended by a TSNZ General Meeting.
- 2.12.4 For the purposes of the above a Junior shall be under twenty-one years of age on the 31st December in the year of the competition, and a Veteran shall be sixty years of age or over on the last date for entries as noted in the annual advertisement.
- 2.12.5 A competitor may shoot for teams in different grades or categories within the same TSNZ Postal Competition. No competitor may shoot for more than one team in any grade or category within the same TSNZ Postal Competition.
- 2.12.6 Entries for individual and team competitions shall be made on the official TSNZ entry form and be accompanied by the required entry fee.
- 2.12.7 Entries may be accepted up to 5 weeks prior to the closing date of the Seasons Aggregate and 3 weeks prior to the closing date of all other Postal competitions but no extension of time shall be granted to complete the competition.
- 2.12.8 TSNZ shall issue suitable identification for each competitor's targets.

2.12.9 WITNESSES

The shooting of every TSNZ postal competition target shall be witnessed by a person approved by the local TSNZ affiliated Association.

2.12.9.1 DUTIES OF WITNESSES

The duties of the witness shall be:

- (i) To be conversant with these Rules of Conduct and the conditions of the competition;

- (iv) To be present on the range during the entire shoot;
- (v) To ensure the competitors are those named on the entry form and that the stickers are affixed before any target is shot;
- (vi) To sign and date each paper target or electronic scoring printout after it has been shot. For an Association Teams' event a signed certificate verifying the targets en bloc shall suffice;
- (vii) To promptly advise TSNZ of any infringements of the rules.

2.12.9.2 A Witness may not witness his/her own shoot in any competition;

2.12.9.3 The TSNZ Executive reserves the right to appoint a special witness.

2.12.9.4 Any Club having difficulty in obtaining a witness may apply to the local Association for assistance, and be prepared to pay the reasonable out-of-pocket expenses, if required, of the person appointed.

2.12.10 Marked paper targets and electronic target scoring printouts from electronic targets shall be returned to the local Association not later than the date specified in the annual advertisement. Directly Affiliated Clubs shall return shot and witnessed targets to the Executive Officer, for marking, by that same date.

2.12.11 Any paper target or electronic target scoring printout received in a mutilated condition shall be disqualified.

2.12.12 The local Association or Club authorised markers shall score targets in accordance with Rule 2.8.

2.12.13 The local Association or Club shall verify the correct score has been entered on the results form and forward the scores to the Executive Officer by the date specified in the annual advertisement and shall hold shot competition targets and electronic target scoring printouts until the final results are distributed. Shot targets and electronic target scoring printouts shall be forwarded to the Executive Officer on request. Any target received in a damaged condition where the value of the shot cannot be properly determined shall be declared invalid, and any score found to be incorrectly applied shall be amended. Should any target(s) or electronic scoring printout(s) be unavailable for checking by the Executive Officer, or examination of the target(s)/printout(s) reveal that the rules of the competition have not been followed, the competitor shall be disqualified from the competition.

2.12.14 Postal competition results shall be published and contain the scores of all competitors. All placings shall be detailed and copies shall be forwarded to all competing Clubs and all Associations.

2.12.15 Postal competition trophies shall be forwarded to the winners only if requested in writing. The TSNZ Executive shall require adequate guarantees for the return of all postal competition trophies in good order and condition.

2.13 INTER-ISLAND COMPETITION

2.13.1 Teams subject to the following conditions are:

North Island and South Island Veterans Teams
 North Island and South Island Open Teams
 North Island and South Island Women's Teams
 North Island and South Island Junior Teams
 North Island and South Island Men's Team

2.13.2 **NOMINATION** for these teams may be made by any affiliated member of TSNZ, subject to the following conditions:

2.13.2.1 Members who wish to nominate for selection to any of the teams in Rule 2.13.1 shall complete a written nomination and submit it to the TSNZ office not later than 30th April in the year of the event. A nomination is only valid if the Member is a current TSNZ financial member by 31st May in the year of the event.

2.13.2.2 Members may only nominate for the specific Island Teams that correlate to that Member's usual place of residence on 1 April in the year of the event i.e. if you live in the North Island you may only nominate for North Island and if you live in the South Island you may only nominate for South Island Teams.

2.13.2.3 The TSNZ Executive Officer shall no later than 15th May of the year of the event, forward a full list of nominations to the Association Secretaries and publish the list on the TSNZ website. This list will include the Nominees' affiliation status at that time the list is published.

2.13.3 TEAM SELECTION

2.13.3.1 The teams listed in clause 2.13.1 shall be determined by a process of automatic qualification, and subsequent deliberation by Island Selection Panels.

2.13.3.2 Automatic qualification shall be determined using rankings calculated from current season's scores attained by nominees at Open Championships as detailed in the TSNZ shooting calendar.

2.13.3.3 Each nominee's score (excluding inners) from each completed Open Championship up to the weekend of PLUS 4, shall be expressed as an average out of 100. The total best four Open Championship averages shall determine each nominee's ranking. Any finals, top ten events, re-entries, or any scores obtained at any range other than that of the Open Championship's Host Venue, shall not be included in the calculation of the Championship average.

2.13.3.4 The TSNZ Executive Officer shall calculate the ranking lists from all Open Championship scores provided by Championship organisers in accordance with Section 1 Appendix G.1. The TSNZ Executive Officer shall forward the completed ranking lists to the appropriate Island Selection Panel no later than the weekend of **PLUS 5** of the TSNZ

Indoor Competition calendar.

- 2.13.3.5 The highest ranked nominees for each team will automatically qualify for inclusion in the team.
The number of automatic qualifications for each team shall be as follows. Open teams - 15 members, Women's teams - 11 members, Men's teams - 11 members, Junior teams - 7 members, Veteran teams - 7 members.
- 2.13.3.6 The Island Selection Panel shall select the remaining members of each team from the full list of nominees and may consider nominees who have not completed four Championships.
- 2.13.3.7 The Island Selection Panel shall also select two emergencies for each team, and name in ranked order up to five on call shooters for each team.

2.13.4 **HOST ASSOCIATION**

- 2.13.4.1 The Association hosting the event shall, not later than the weekend of **PLUS 3** forward the required accommodation forms to the Executive Officer for onward transmission to team Members in accordance with Clause 2.13.4.4.
- 2.13.4.2 Team members shall return accommodation forms promptly to the Host Association, which shall not be held responsible for accommodation requests received later than the date specified by the Host Association.

The Host Association shall be responsible for:

- 2.13.4.3 Providing an approved range conforming with the standards in Rule 2.3 and adequate facilities for the numbers involved;
- 2.13.4.4 Providing a list of recommended accommodation and all accommodation arrangements to be the responsibility of the individuals;
- 2.13.4.5 Arranging the programme for the event, including a social function on the Sunday evening, and provision for the taking of team photographs;
- 2.13.4.6 Providing time in the programme for the introduction of teams and the presentation of team date bars;
- 2.13.4.7 Providing a minimum of three competent target markers and an adequate number of TSNZ-approved gauges;
- 2.13.4.8 Providing adequate staff to serve as Range Officers, target changers, and the like;
- 2.13.4.9 Making provision for adequate practice for all participants prior to the commencement of the match;
- 2.13.4.10 Providing adequate score-boards for the display of scores as they come to hand;
- 2.13.4.11 Arranging, where requested by TSNZ, for marking of international postal teams matches shot during the weekend, including verification of scores for forwarding overseas.
- 2.13.4.12 Full co-operation, with the Liaison Officer, appointed by the TSNZ Executive, to supervise the arrangements and conduct of the event. Refer Section 2, APPENDIX B for Liaison Officer's duties.

2.13.5 **TEAM MANAGERS**

- 2.13.5.1 Any Ordinary Member of TSNZ who wishes to be considered for the position of Manager of any of the teams defined in Rule 2.13.1 shall, not later than **PLUS 3** submit his/her nomination in writing to the Executive Officer.
- 2.13.5.2 The TSNZ Executive shall, as soon as practicably possible following selection and confirmation of the Inter-Island teams in the year of the event, appoint a Manager for each of the teams in Rule 2.13.1.

2.13.6 **NOTIFICATION**

- 2.13.6.1 The Convener of each Island Selection Panel shall provide the Executive Officer with details of the teams, team captains and any on-call members not later than Monday after the weekend of **PLUS 5**.
- 2.13.6.2 The TSNZ Executive Officer shall forward to each team member written advice of his/her selection, and all necessary forms and details pertaining to the Inter Island event as soon as practicably possible following receipt of team lists from the Island Selection Panel Conveners.
- 2.13.6.3 The Executive Officer shall forward to each Team Manager the names, addresses and contact phone numbers of each member of the Team under his/her management, as soon as practicably possible following appointment of those Managers.
- 2.13.6.4 The Executive Officer shall forward full details of all Teams to the Host Association and the Trophy Steward, as soon as practicably possible following receipt of team lists from the Island Selection panel Conveners.

2.13.7 **TRAVEL ARRANGEMENTS AND EXPENSES**

- 2.13.7.1 Travel arrangements and expenses are the responsibility of the individual team members.
- 2.13.7.2 Team members and Managers participating in the matches specified in Rule 2.13.1 shall be entitled to a payment for travel calculated as follows:

- (i) An allowance based on the distance from the shooter's/Manager's home base to the venue with the first 250 kilometers being disallowed;
 - (ii) Team members and Managers required to cross Cook Strait - \$20 additional.
- 2.13.7.3 Team Managers shall be entitled to an additional payment for Manager's duties as determined annually by the Executive.

2.13.8 INTER-ISLAND MATCHES FORMAT

- 2.13.8.1 The Inter-Island Open, Women, Men, Junior and Veteran matches shall be held annually during the weekend of **PLUS 11**. The venue shall alternate between the North and South Islands, or as decided by a TSNZ General Meeting.
- 2.13.8.2 The matches shall be conducted by a Host Association which shall be selected and approved by a TSNZ Annual General Meeting three years prior to the event.
- 2.13.8.3 The matches shall be shot under TSNZ Rules of Conduct - Indoor Competition.
- 2.13.8.4 The matches shall be shot on a shoulder-to-shoulder basis and details or squads shall be so arranged that no two members of either team occupy adjacent mounds.
- 2.13.8.5 The course of fire for each team member shall consist of three matches - one ten-shot, one twenty-shot and one ten-shot. A member selected for more than one team shall shoot separate matches for each team.
- 2.13.8.6 The TSNZ Executive shall appoint a Liaison Officer, whose duties are set out in Section 2, APPENDIX B, to be present at the event.
- 2.13.8.7 Ties for individual and team trophies shall be decided in accordance with Rule 2.11.10.
- 2.13.8.8 For any year where the competition is not able to be held in compliance with these Rules due to disruption from a declared pandemic, natural disaster, or other extenuating circumstances, the Executive may set aside Rules 2.13.8.1, 2.13.8.2, 2.13.8.4, and 2.13.8.6 for that year for the purpose of running the Interisland Match. Any proposed changes may only be made in such a way as to keep as close to the original format and spirit of the competition as possible.

2.13.9 INTER-ISLAND OPEN MATCH

- 2.13.9.1 Each team shall consist of twenty members plus two emergencies, all of who shall shoot.
- 2.13.9.2 Membership of the team shall be open to all affiliated members of TSNZ who have nominated for the event. (Refer Rule 2.13.2 and 2.13.3)
- 2.13.9.3 The winning team shall hold the Ross Shield for one year.
- 2.13.9.4 The highest scoring team member (including emergencies) in the match shall hold the BSA Guns Shield for one year, and be awarded a suitably engraved medal, presented by TSNZ, to retain.

2.13.10 INTER-ISLAND WOMENS MATCH

- 2.13.10.1 Each team shall consist of fifteen members plus two emergencies all of whom shall shoot.
- 2.13.10.2 Membership of the team shall be open to all affiliated women shooters who have nominated for the event. (Refer Rule 2.13.2 and 2.13.3)
- 2.13.10.3 The winning Team shall hold the Craig Shield for one year.
- 2.13.10.4 The highest scoring North Island team member (including emergencies) shall hold the MacDowall Cup for one year and the highest scoring South Island team member (including emergencies) shall hold the R.E.Taylor Cup for one year.

2.13.11 INTER-ISLAND MENS MATCH

- 2.13.11.1 Each team shall consist of fifteen members plus two emergencies all of whom shall shoot.
- 2.13.11.2 Membership of the team shall be open to all affiliated men shooters who have nominated for the event. (Refer Rule 2.13.2 and 2.13.3)
- 2.13.11.3 The winning Team shall hold the Cameron Family Cup for one year.
- 2.13.11.4 The highest scoring team member (including emergencies) from both Island teams shall be awarded a medal to retain, suitably engraved and presented by TSNZ.

2.13.12 INTER-ISLAND JUNIOR MATCH

- 2.13.12.1 Each team shall consist of ten members plus two emergencies all of whom shall shoot.
- 2.13.12.2 Membership of the team shall be open to all affiliated Junior shooters as defined in Rule 2.1.6 who have nominated for the event. (Refer Rule 2.13.2 and 2.13.3)
- 2.13.12.3 The winning team shall hold the TSNZ Junior Cup for one year.
- 2.13.12.4 The highest scoring team member (including emergencies) in the match shall hold the Nan Barlow Memorial Cup for one year.

2.13.13 **INTER-ISLAND VETERANS MATCH**

- 2.13.13.1 Each team shall consist of ten members and two emergencies all of whom shall shoot.
- 2.13.13.2 Membership of the team shall be open to all affiliated Veterans who have nominated for the event. (Refer rule 2.13.2 and 2.13.3)
- 2.13.13.3 The winning team shall hold the Rhodes Scroll for one year.
- 2.13.13.4 The highest scoring team member (including emergencies) from the Island teams shall hold the Lissington Trophy for one year.

2.13.14 **INTER-ISLAND REPRESENTATIVE AWARDS**

- 2.13.14.1 On first representation in an Inter-Island team a member shall be awarded a representative badge depicting the event plus a date bar for that year. On subsequent representation in the team a date bar only shall be awarded.
- 2.13.14.2 Date bars shall be presented to team members when teams are introduced and shall be recorded as issued. All new badges shall be presented at the social function.
- 2.13.14.3 The TSNZ Trophy Steward shall maintain a suitable logbook to record all Open, Women, Men, Junior and Veteran Island and National team members and have such logbook present at each Inter-Island shoot.

2.14 **INTERNATIONAL MATCHES**

- 2.14.1 The TSNZ Executive shall attempt to arrange appropriate international matches for indoor teams to fire on a postal basis. Such matches may be for Open, Women, Men, Veteran or Junior teams with such membership terms and conditions as may be practicable to settle with overseas associations.
- 2.14.2 The New Zealand teams, to the required number of shooters in each category, shall be comprised of members taken from the corresponding category North v South event conducted on the preceding day by score ranking in descending order.
- 2.14.3 If such matches cannot be conducted in any particular year, a National Team shall not be selected and National Awards shall not be made.

2.14.4 **NATIONAL AWARDS**

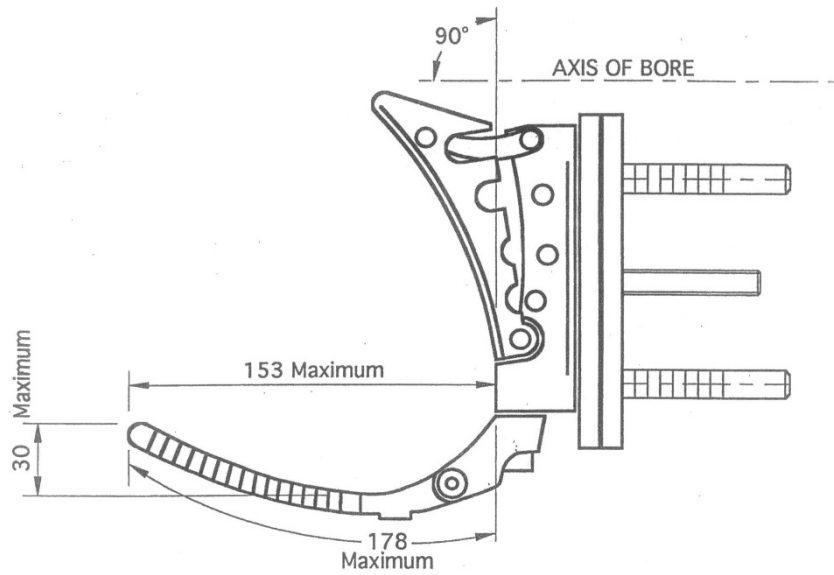
- 2.14.4.1 On first representation in a National Team a member shall be awarded a New Zealand representative medal depicting the team and a bar for that year. On subsequent representation, a date bar only shall be awarded. Any shooter required to shoot as an emergency for any National team shall be considered to be part of the team, and shall be entitled to National Awards.
- 2.14.4.2 On first representation in a National Open Team a member shall be awarded a Silver Fern Pocket bearing the words 'New Zealand Smallbore Rifle Team'.
- 2.14.4.3 On first representation in a National Women's Team a member shall be awarded a Silver Fern pocket bearing the words 'New Zealand Women's Smallbore Rifle Team'.
- 2.14.4.4 On first representation in a National Junior Team a member shall be awarded a Silver fern pocket bearing the words 'New Zealand Junior Smallbore Rifle Team'.
- 2.14.4.5 On first representation in a National Veterans Team a member shall be awarded a Silver Fern pocket bearing the words 'New Zealand Veterans Smallbore Rifle Team'.
- 2.14.4.6 On first representation in a National Men's Team a member shall be awarded a Silver Fern pocket bearing the words 'New Zealand Men's Smallbore Rifle Team'.
- 2.14.4.7 Date bars for National Teams shall be handed out to all team members during the team photo session and shall be recorded as issued. All new medals and pockets shall be presented at the social function.
- 2.14.4.8 National Awards shall only be granted for postal events where the team is assembled at one venue and the match is shot on a shoulder-to-shoulder basis on one calendar day.
- 2.14.4.9 A Silver Fern pocket shall only be worn on an approved blazer.

2.14.4.10 **REPLACEMENT SILVER FERN POCKETS**

- 2.13.7.3.1 One only additional pocket may be purchased from TSNZ, at a price to be fixed by the TSNZ Executive. Requests for replacement or additional pockets must be approved by the TSNZ Executive and recorded by the Trophy Steward. In exceptional circumstances (i.e. loss through fire or burglary) TSNZ may approve dispensation from this requirement.

SECTION 2 APPENDIX A - BUTTPLATE AND HOOK

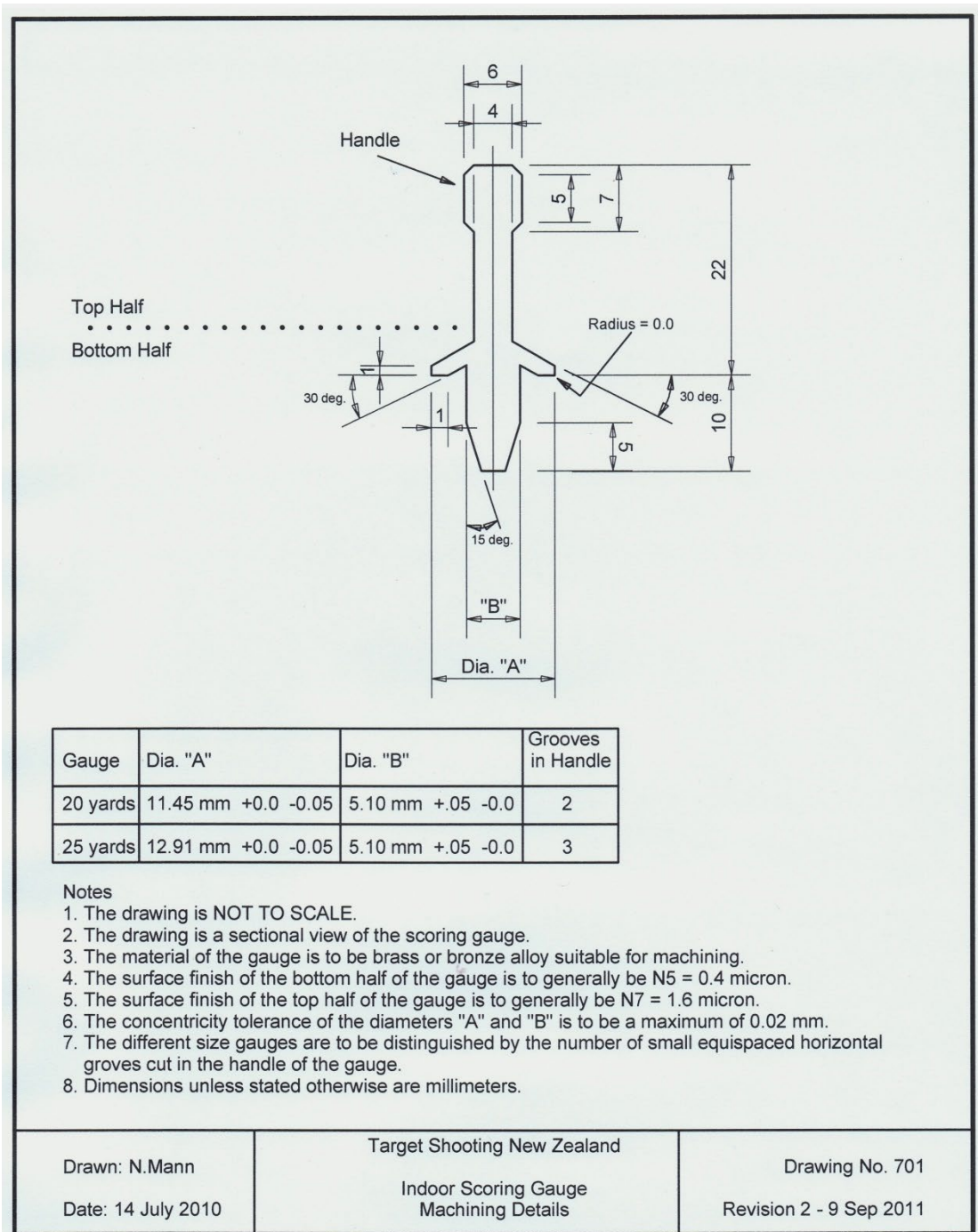
A butt hook may be used that projects not more than 153mm (A) past the rear of a line, perpendicular to a line drawn through the axis of the bore of the rifle, which is tangent to the deepest part of the butt plate depression that normally rests against the shoulder. It may have a total outside length around any curve or bend of not more than 178mm (B).



SECTION 2 APPENDIX B - TSNZ LIAISON OFFICER

- Appointment:** The TSNZ Executive shall appoint the Liaison Officer.
The TSNZ Executive Officer shall advise the event organizers and the Team Managers of the Liaison Officer's appointment.
- Criteria:** The Liaison Officer should reside within reasonable distance of the event venue.
The Liaison Officer shall be conversant with the rules and regulations of TSNZ.
- Powers:** The Liaison Officer shall be empowered to mediate on any dispute arising during the running of the event. In the settling of disputes, the Liaison Officer shall have regard to the rules of competition, their intent, and the recognized code of good sportsmanship.
- Duties:** To consult with the organisers on any problems during the time leading up to the event.
To be readily available at all times during the event.
To inspect the following:
- (a) The range, before and during the event;
 - (b) The setting up and retrieval of targets;
 - (c) Marking and recording of scores;
 - (d) The area available to competitors for their equipment.
- To provide a written, detailed report on all disputes to the TSNZ Executive.
To provide, within a reasonable time after the event, a general report on problems and suggestions for future events.
- General:** The Liaison Officer must be involved in all disputes concerning the above areas.
The Liaison Officer will ensure only those persons directly concerned with any dispute are involved in deliberations.
The Liaison Officer may call on any of the following persons, at his/her discretion, to assist in the resolution of a dispute:
- Team Managers;
 - Range Officers;
 - Range Committee;
 - Markers;
 - The principal Event Organiser;
 - Members of the TSNZ Executive;
 - Any other person whose specialised expertise the Liaison Officer considers necessary to conclude any dispute.

SECTION 2 APPENDIX C - SCORING GAUGE FOR INDOOR TARGETS



SECTION 2 APPENDIX D - NATIONAL INDOOR CHAMPIONSHIP

- 2.D.1 TSNZ shall organise an annual National Indoor Championship (NIC).
- 2.D.2 The NIC shall be contested during **PLUS 9** weekend, using a multiple of venues.
- 2.D.3 Competition shall be conducted in Master, A, B, C and D grades.
- 2.D.4 Course of Fire:
- | | |
|-----------------------|------------------------------|
| Master; A and B Grade | 2 x 20 shot matches |
| C and D Grade | 1 x 10 and 1 x 20 shot match |
- 2.D.5 Prizes to be cash payout, with fixed 1st, 2nd and 3rd amounts and percentage payouts for 4th and lower placings based upon the levels of entry in each grade.
- 2.D.6 In the event of a tie, the combined prize payout for the affected placings will be totalled and divided between the number of tied competitors.
- 2.D.7 The Executive to determine general competition conditions and entry fees.

SECTION 2 APPENDIX E - NATIONAL DISTRICT CHAMPIONSHIP

- 2.E.1 TSNZ shall organise an annual National District Championship (NDC).
- 2.E.2 The NDC shall be contested over 5 Rounds plus Semi Final & Final, on dates as set by Executive.
- 2.E.3 Match to be held on Association home range, unless dispensation given to use alternate range.
- 2.E.4 Teams, competitor format, points and bonus points to be managed as per the NDC Rules previously determined by the Executive and published prior to each competition annually.
- 2.E.7 The Executive to determine general competition conditions and entry fees.
- 2.E.8 Trophies presented to winner of each Division final, Certificates to top 5 shooters in each Division final, and top 3 Juniors.

SECTION 2 APPENDIX F - INDOOR TARGETS Specification – 2012

TSNZ Outward Gauging Target 2012 20yd and 25yd Specification

Card Specification
 Card Weight: 200 grams per square metre
 Card Material: Special, short grain
 Card colour: Light yellow
 Card Light Reflectance: Low
 Aiming mark colour: Black

Notes
 All the outsides of the scoring rings on the aiming marks are circular and concentric with one another.

Aiming Mark
 The target has 11 identical Aiming Marks positioned as shown on the dimensioned target at the bottom of the page.

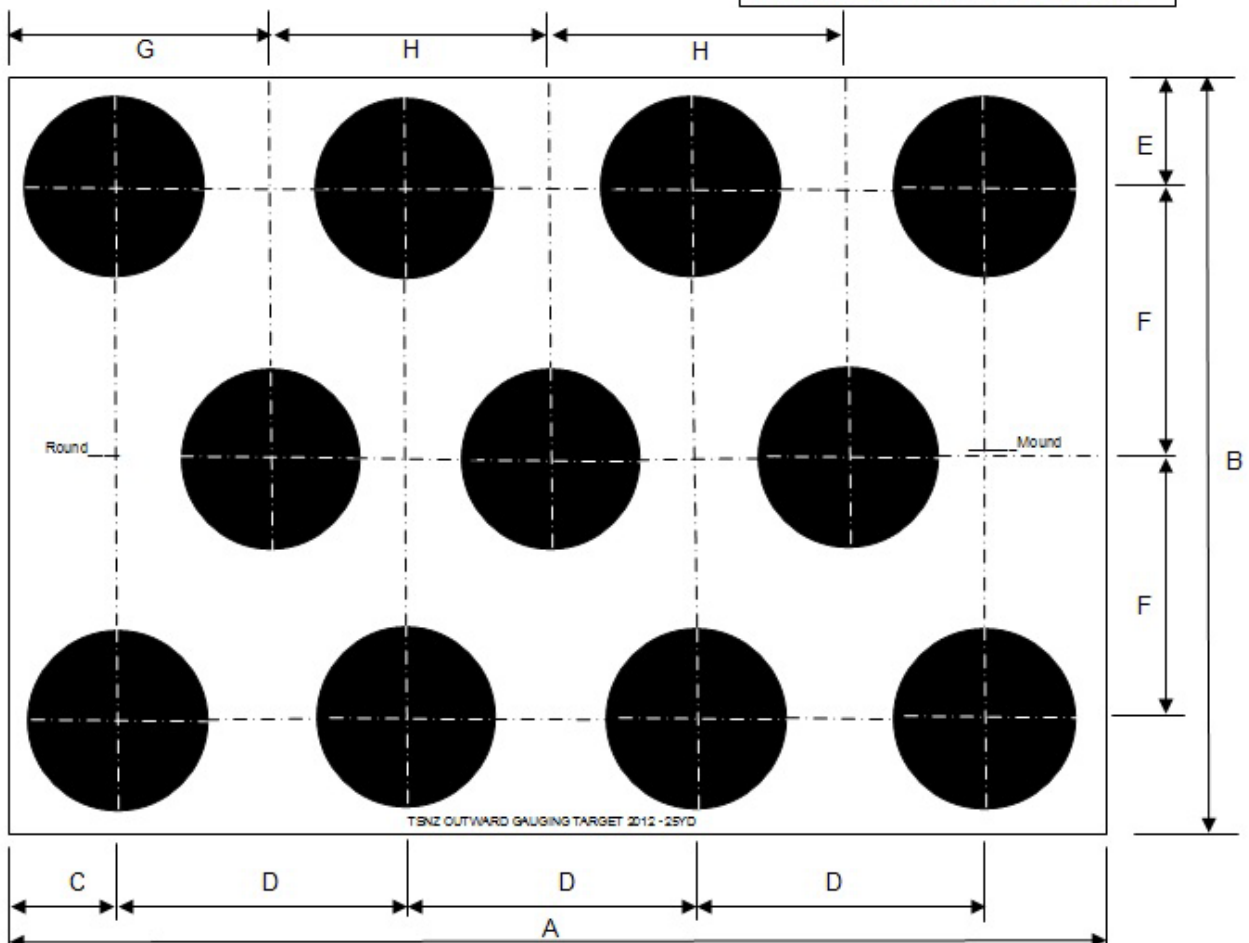


Dim	25.yds	20.yds	Units
A	350	280	mm
B	240	192	mm
C	48.3	38.6	mm
D	84.5	67.6	mm
E	46.8	37.5	mm
F	73.2	58.5	mm
G	90.5	72.4	mm
H	84.5	67.6	mm

Table showing Target Dimensions

Outside of	25.Yards Diameter	20.Yards Diameter	Units	Tolerance
Centre dot	0.75	1.72	mm	(±0.05mm)
Inner Gauging Ring	8.06	7.57	mm	(±0.05mm)
10 Ring	12.92	11.45	mm	(±0.05mm)
9 Ring	20.23	17.30	mm	(±0.1mm)
8 Ring	27.55	23.16	mm	(±0.1mm)
7 Ring	34.86	29.01	mm	(±0.1mm)
6 Ring	42.18	34.86	mm	(±0.2mm)
5 Ring	49.49	40.71	mm	(±0.2mm)
Black	51.40	41.10	mm	(±0.2mm)
Scoring Ring Thickness:	0.20	0.16	mm	

Table showing Aiming Mark Dimensions



Section 2 APPENDIX G - Electronic Targets

For competitions fired on electronic targets the equipment shall comprise of:

a) Hardware which must be approved by TSNZ. TSNZ reserves the right to have such equipment inspected and tested for accuracy at any time it deems fit;

AND

b) Software which must be:

i) originally supplied with the hardware, or subsequently installed with the approval of the hardware manufacturer and as per TSNZ specifications (see chart below)

AND

iii) which has not been altered by any unauthorised person.

Specifications for TSNZ Electronic Targets

Outside of	25 Yards Electronic Diameter (mm)	20 Yards Electronic Diameter (mm)
Inner Ring	10.50	9.50
10 Ring	12.90	11.50
9 Ring	20.20	17.30
8 Ring	27.60	23.20
7 Ring	34.90	29.00
6 Ring	42.20	34.90
5 Ring	49.50	40.70
Black	51.40	41.10
4 Ring	62.60	52.30

**TARGET SHOOTING
NEW ZEALAND
INCORPORATED**



**RULES OF CONDUCT
OUTDOOR COMPETITION**

1 November 2023

TABLE OF CONTENTS

OUTDOOR COMPETITION

SECTION 3 - RULES OF CONDUCT - OUTDOOR COMPETITION.....	48
3.1 GENERAL (REF ISSF 7.1).....	48
3.2 SAFETY (REF ISSF 7.2).....	48
3.3 RANGE & TARGET STANDARDS (REF ISSF 7.3).....	49
3.4 RIFLES, AMMUNITION, EQUIPMENT & CLOTHING STANDARDS (REF ISSF 7.4,7.5).....	49
3.5 RIFLE EVENTS (REF ISSF 7.6).....	50
3.6 EVENT PROCEDURES AND COMPETITION RULES (REF ISSF 7.7)	50
3.7 TARGET SCORING (REF ISSF 6.14, 6.10, ANNEX FOR PAPER TARGET SCORING)	52
3.8 GRADING OF MEMBERS	53
3.9 COMPETITION OFFICIALS	53
3.10 DESIGNATED MATCHES.....	54
3.11 POSTAL COMPETITIONS	55
3.12 OUTDOOR NATIONALS	55
3.13 INTER-ISLAND OUTDOOR TEAMS MATCHES	57
3.14 INTERNATIONAL MATCHES.....	58
3.15 NATIONAL AWARDS.....	58
SECTION 3 APPENDIX A - TSNZ LIAISON OFFICER	59
SECTION 3 APPENDIX B - PLUG GAUGE.....	60
SECTION 3 APPENDIX C - 50M OVERLAY DIMENSIONS.....	61

[Note – ISSF references are for ISSF Official Statutes Rules and Regulations Edition2017 Second Print V1.1 01/2018]

SECTION 3 - RULES OF CONDUCT - OUTDOOR COMPETITION

These Rules cover the conduct and management of Outdoor Competition at National and local level and shall be read in conjunction with current ISSF Rules. Any matter not covered shall be determined in compliance with the current ISSF Rules. All athletes wishing for International representation must comply with ISSF rules in all aspects.

3.1 GENERAL (Ref ISSF 7.1)

- 3.1.1 These Rules shall apply to all TSNZ sanctioned events, TSNZ Postal Championships, and Open Championship or Open Sweepstake events conducted by Associations and Directly Affiliated Clubs.
- 3.1.2 Competitors shall make themselves conversant with these rules and with the conditions of the competitions. Failure to comply with the rules, or engaging in any dishonest, discreditable or dangerous conduct at any competition sanctioned by TSNZ, shall render the competitor liable to such penalty as the Range Committee may decide. Subject to the discretion of the Range Committee, such conduct may also be reported to the TSNZ Executive, which may impose such other disciplinary action as it sees fit. Any competitor collaborating in such conduct may be liable to the same penalties. (See Rule 3.1.8 for appeals to TSNZ Executive)
- 3.1.3 Any competitor entering any competition under an assumed name or supplying incorrect information on the entry form shall be guilty of dishonest conduct and shall be dealt with by the Range Committee under the provisions of Rule 3.1.2. (See Rule 3.1.8 for appeals to TSNZ Executive)
- 3.1.4 Any system, practice, device or accessory which may give a competitor an advantage over others and which is not mentioned in these Rules, or which is contrary to the spirit of good sportsmanship, is prohibited.
- 3.1.5 Any order exhibited by the Range Committee at the point where entries are taken at any event shall be binding on all competitors. (See Rule 3.9.1.4)
- 3.1.6 Competitors must comply with the orders of the Range Officer but no competitor shall be disadvantaged through following any order given by a Range Officer.
- 3.1.7 All these Rules, and any orders issued in accordance with Rule 3.1.5, shall be subject to, and comply with, current NZ Firearms Legislation.
- 3.1.8 Any Member of TSNZ has the right to refer any matter, or appeal any local ruling, to the Executive of TSNZ, which shall be the final arbiter on disputes and matters of interest. These referrals or appeals shall be allowed by reasons of natural justice and interpretation of the intent of the TSNZ Outdoor Rules, and must be received by the TSNZ Executive within 28 days of the matter occurring or receipt of the local ruling.

3.1.9 DEFINITIONS OF COMPETITORS

First year competitor - one who has not been a shooting member of any rifle club of any calibre.

Junior - A competitor who is under the age of twenty-one years on the 31st December in the year of competition. Proof of age may be required.

Veteran - A competitor who is sixty years of age or over on the first day of the particular competition. Proof of age may be required.

3.1.10 ELIGIBILITY TO COMPETE

- 3.1.10.1 Subject to the special conditions of any competition, the following are eligible to compete in TSNZ sanctioned events:
- In **Individual competitions** - any financial member of TSNZ;
 - In **Team competitions** - financial members of any rifle club affiliated to TSNZ. A competitor may represent more than one club during any year, but only in different competitions in that year;
 - In **Association competitions** - financial members of any Association affiliated to TSNZ. A competitor may represent more than one Association during any year, but only in different competitions in that year;
 - Overseas shooters** may compete in any competition provided they are affiliated members of their National Association.
- 3.1.10.2 No shooter, Club, or Association not affiliated to TSNZ shall take part in any competition run by any affiliated body.
- 3.1.10.3 Unless otherwise specified in the conditions a Club or Association may enter any number of teams and take any number of prizes.

3.2 SAFETY (Ref ISSF 7.2)

- 3.2.1 The safety of competitors, range officials and spectators require continued attention to safe firearms handling. Self-discipline is necessary on the part of all concerned. Where such discipline is lacking, it is the duty of Range Officials to enforce discipline, and the duty of all members of TSNZ to assist and encourage such enforcement.
- 3.2.2 The Range Committee is responsible for overall safety. The Range Committee may establish further safety rules considered necessary for any particular venue.

- 3.2.3 The Chief Range Officer is responsible for giving any necessary commands.
- 3.2.4 The Range Officer is responsible for safety on the firing point and must ensure that the commands are obeyed and that all firearms are handled safely.
- 3.2.5 Any competitor who acts in an unsafe manner, or fails to respond to the commands of the Chief Range Officer, shall be required to stop firing immediately and the matter shall be reported to the Range Committee for consideration.
- 3.2.6 Any person who has consumed alcohol or other substance which may render him/her unsafe to handle firearms, shall not participate in any shooting competition while under the influence of the alcohol or other substance.
- 3.2.7 The actions of all rifles containing the bolt or lever action must remain open with a safety flag inserted at all times, except when on the firing point after the range officer has given instructions to remove safety flags.
- 3.2.8 Rifles must only be loaded on the firing point with the muzzle pointing forward of the firing line, after the command "SHOOTERS LOAD" or "SHOOTERS START" has been given.
- 3.2.9 The final locking of the action shall not take place until the butt of the rifle is in contact with the competitor's shoulder and the muzzle is pointed in a safe direction towards the target(s).
- 3.2.10 A rifle is considered to be loaded when a live round is on the loading ramp or in the breech, regardless of whether the action is open or closed, and at any time when the action is closed.
- 3.2.11 When the command "SHOOTERS STOP" is given, all competitors must stop shooting immediately, open their actions, leave them in the open position, and lower the butts to the ground. Shooting shall only resume when the command "SHOOTERS START" is given.
- 3.2.12 Should it be necessary for personnel to go forward of the firing line during the course of a detail (for instance to replace a target) the range officer shall give the cease fire command, and ensure that all rifles are unloaded with butts on the ground and safety flags inserted before allowing personnel on the range.
- 3.2.13 Dry fire and aiming exercises are permitted only with the permission of the Chief Range Officer, and only on the firing point or in a designated area.
- 3.2.14 During competition a firearm may be put down only after it has been unloaded and the action left open.
- 3.2.15 At the end of the detail the Chief Range Officer shall give the command "SHOOTERS, CLEAR ACTIONS, AND INSERT SAFETY FLAGS". Competitors shall respond by closing and opening the action and shall then insert a safety flag. The Range Officer shall verify that all actions are clear and safety flags are in before the rifles are taken from the firing point.
- 3.2.16 All competitors and other people in the immediate vicinity of the firing point are urged to wear earplugs, earmuffs or similar hearing protection.

3.3 RANGE & TARGET STANDARDS (Ref ISSF 7.3)

- 3.3.1 All ranges must be inspected and certified by a Range Safety Inspector appointed by the TSNZ Executive. Re-inspection shall be required when substantial alterations or modifications are made to the range. It is the responsibility of the affiliated body concerned to make application to TSNZ for any inspection.
- 3.3.2 Any target system may be used, providing it guarantees the necessary degree of safety, and efficient changing of the targets.
- 3.3.3 Where automatic target carriers or changers are used, the competitor may control target changing or may have the Assistant, where they are engaged, change the targets. Responsibility for shooting on the correct target rests solely with the competitor.
- 3.3.4 For single diagram targets, refer to **ISSF Rule 7.3: RANGE AND TARGET STANDARDS**.
- 3.3.5 For multi diagram targets, all measurements shall be taken to the centre of the card.
- 3.3.6 The 50 yard and 100 yard competition targets shall be as currently specified by the National Smallbore Rifle Association of the United Kingdom.

3.4 RIFLES, AMMUNITION, EQUIPMENT & CLOTHING STANDARDS (Ref ISSF 7.4,7.5)

- 3.4.1 Refer to **ISSF Rule 7.4 RIFLES AND AMMUNITION** and **7.5 CLOTHING REGULATIONS**.
- 3.4.2 Shooters who want to be included on the NZ Shooting Federation Ranking Lists and be eligible for selection to compete in International events should comply with ISSF Rules.
- 3.4.3 Shooters who want to be included on the NZSF ranking lists should advise the TSNZ Office by 31 December or other such date as the Executive may from time to time determine. Any shooter who fails to nominate before the start of the selection period may apply to TSNZ to have their name included, and TSNZ may approve such applications provided the shooter's equipment and clothing complies with **ISSF Rules 7.4 and 7.5**. Any infringement under the relevant ISSF Rules, Equipment & Clothing Standards (ISSF 7.4, 7.5) resulting in disqualification and loss of score, shall only apply to the NZSF Ranking List score.
- 3.4.4 Prone shooters not intending to compete internationally and who do not require their name to be listed on the NZSF ranking lists may use equipment and clothing which complies with the **TSNZ Indoor Rules**.
- 3.4.5 **Shooting Mats**

- 3.4.5.1 Refer to **ISSF Rule 6.4.7.2 FIRING POINT EQUIPMENT**.
- 3.4.5.2 Shooters are permitted to use private mats.
- 3.4.5.3 Private mats may be smaller than the minimum dimensions but must not exceed the maximum dimensions in **ISSF Rule 6.4.7.2 b**.

3.5 RIFLE EVENTS (Ref ISSF 7.6)

- 3.5.1 Refer to **ISSF Rule 7.6: SHOOTING EVENT PROCEDURES AND COMPETITION RULES**

3.5.2 PHYSICAL DISABILITY PROVISIONS

- 3.5.2.1 The Range Officer may authorise another person to act for any competitor who due to physical disability is unable to adjust the sights.
- 3.5.2.2 The use of a double arm sling, where such is necessary, is permitted.
- 3.5.2.3 The use of an artificial arm is permitted, provided it is being used solely as a substitute for a natural arm.
- 3.5.2.4 Any competitor who, by reason of physical handicap other than an artificial arm, cannot support a rifle in the manner required by these Rules may be granted a dispensation.
- 3.5.2.5 Any competitor suffering from defective eyesight and whose condition the provisions of Rule 3.4.4 cannot rectify may apply for dispensation to use additional optical aids.
- 3.5.2.6 Dispensations granted under this Section shall continue for not more than five years. Applications for renewal of a dispensation shall be made not less than three months prior to the expiry date of the dispensation in accordance with Rule 3.5.2.8.
- 3.5.2.7 Where a surgical procedure or other treatment is undertaken prior to the date of renewal to correct or modify a physical or optical disability for which a dispensation has been granted, the dispensation shall be void and a further application must be made if required.
- 3.5.2.8 Applications for dispensations shall be made to the Executive of TSNZ through the local Association and be accompanied by evidence sufficient to prove the dispensation is necessary to allow the applicant to participate in the sport to the best of his/her ability.

Medical certificates or Optometrist's certificates shall be considered the minimum evidence to be submitted. Photographs of any aids required are recommended.
- 3.5.2.9 Dispensations are not permitted or recognised for ISSF events.

3.6 EVENT PROCEDURES AND COMPETITION RULES (Ref ISSF 7.7)

- 3.6.1 **50m SHOOTING [Prone and 3P].** Refer to **ISSF Rule 7.7 RIFLE EVENTS** and **7.7.4 RIFLE EVENT TABLE**
- 3.6.1.1 Range standards and competition conditions for Designated Matches and other matches which are used for international selection shall be as close as practicable to ISSF Rules.
- 3.6.1.2 Other Championships conducted on paper targets and scored using target marking machines should be conducted as close as practicable to ISSF Rules. It is permissible to have one or two shots per competition target, however in all cases there must be four sighting targets.
- 3.6.1.3 When Target Machines are being used, and a shooter inadvertently starts on their match targets during sighting time, they should notify the Range Officer and restart their match scoring by firing extra shots on the first competition target(s). This is done without penalty and ISSF Rule 6.11.5 does not apply.
- 3.6.1.4 Championships conducted on paper targets and scored without target machines may be conducted to **Rule 3.6.2**
- 3.6.1.5 Where matches are conducted on Electronic Scoring Targets, ISSF Rules pertaining to their use will apply.
- 3.6.2 **50 YARDS AND 100 YARDS AND 50M MULTI-DIAGRAM SHOOTING**
- 3.6.2.1 Twenty, thirty, forty or sixty competition shots at each range, which may be split into twenty or thirty-shot courses, plus unlimited sighting shots for each course of fire which must be fired before the first competition shot of each course.
- 3.6.2.2 A minimum of one sighting diagram shall be provided for any course of fire.
- 3.6.2.3 The maximum number of shots which may be fired on a competition diagram is five at 50m or 50 yards, and ten at 100 yards.
- 3.6.2.4 Competition time, including sighting shots:

For a twenty-shot course:	30 minutes
For a thirty-shot course	40 minutes
For a forty-shot course:	50 minutes
For a sixty-shot course:	70 minutes

3.6.3 SHOOTING AND SQUADDING TIMES

- 3.6.3.1 Where self squadding applies all circulars or programmes for competitions shall state the opening and closing times of each day's squadding and/or shooting. Shooting shall be permitted on the range only between those times unless sanctioned by the Range Committee.
- 3.6.3.2 Where prior entry applies competitors and team officials shall be informed of the exact shooting time schedules and allocation of firing points by 4pm on the day preceding the day of pre-event training, if held, or by 4pm on the day before the competition if there is no provision for pre-event training.
- 3.6.3.3 Upon their names or numbers being called, competitors shall take their places on the firing point.
- 3.6.3.4 Competitors shall fire over the numbers on the firing point that correspond to the allocated target numbers.
- 3.6.3.5 Only competitors actually firing are allowed on the firing point, except in team's events where a coach is specifically permitted by the rules of the event. (See Rule 3.6.6.4)
- 3.6.3.6 Where a competition requires competitors to fire in more than one detail or squad, competitors may fire in consecutive details or squads provided they leave the firing point between details or squads.
- 3.6.3.7 A competitor who withdraws at any time after firing the first sighting shot in any competition shall not be replaced.
- 3.6.3.8 If a competition lasts for more than one day all competitors shall fire an equal number of shots each day.
- 3.6.3.9 The competition will commence on the command "SHOOTERS START", and time will be reckoned from that command. No shot may be fired until that command is given. Every shot fired after that command will be recorded for the competition.
- 3.6.3.10 The competition will end when the command "SHOOTERS STOP" is given and shooters shall stop shooting immediately.
- 3.6.3.11 Any shots fired before the start of the official shooting time, or after the end of the official shooting time, or not fired at all, shall be scored as misses.
- 3.6.3.12 **Competition Times** shall be in accordance with **ISSF Rules**.
- 3.6.3.13 **Sighting Shots** are permitted in accordance with **ISSF Rules**.
- 3.6.3.14 **Interruptions** – if any shooter is interrupted refer to **ISSF Rules 6.11.3 INTERRUPTIONS**.
- 3.6.3.15 **Malfunctions** – Refer to **ISSF Rule 6.13 MALFUNCTIONS**.

3.6.4 PRACTICE SHOOTING

- 3.6.4.1 Practice shooting shall be allowed where circumstances permit, but shall not be allowed before the start of competition on a competition day.

3.6.5 SPOTTING

- 3.6.5.1 In all competitions other than ISSF events, competitors may either spot for themselves or have their shots spotted by another person from the rear of the firing point.
- 3.6.5.2 Spotting is restricted solely to a description of the shot placement using the 'CLOCK' method. Spotters may not move on to the firing point, for any purpose, without the consent of the Range Officer. A spotter may also act as a coach for a shooter allowed coaching.

3.6.6 COACHING

- 3.6.6.1 For Coaching in ISSF Matches refer to **ISSF Rule 6.12.5 COACHING DURING ANY EVENT**.
- 3.6.6.2 Coaching, where a competitor receives advice or instructions, during a non-ISSF competition and where permitted by the conditions of those other competitions, may be carried out subject to the following conditions:
 - Individuals** - Coaching is permitted for C and D Grade shooters only, and may be conducted from the rear of the firing point only.
 - Teams** - Where permitted by the rules of the event, coaching is available to all team members and may be carried out on the mound provided other competitors are not disturbed.
- 3.6.6.3 Competitors may leave the firing point at any time, but shall not disturb any other competitor and shall not remove any equipment or firearm until the command "SHOOTERS CLEAR ACTIONS AND INSERT SAFETY FLAGS", has been given and observed (See Rule 3.2.14).
- 3.6.6.4 A competitor wishing to speak to another person must leave the firing point. This must be done without disturbing any other competitor and after unloading and leaving the firearm in a safe condition.
- 3.6.6.5 Team officials must not contact competitors directly or talk with them while they are on the firing point. A team official wishing to speak to a team member on the firing point must first obtain permission of the Range Officer who will arrange for the member to leave the firing point.

- 3.6.7 **PROTEST TIMES**
- 3.6.7.1 For Electronic Targets refer to **ISSF Rule 6.16.5.2 EST SCORE PROTESTS**.
- 3.6.7.2 For Paper Targets refer to **ISSF ANNEX Rules for Paper Target Scoring 5.5 PAPER TARGET SCORE PROTESTS**.
- 3.6.8 **TIE BREAKING**
- 3.6.8.1 For any matches advertised by the Organising Committee as being conducted under TSNZ or ISSF rules, ties shall be broken by the procedures contained in the current ISSF Rules.
- 3.6.9 **FINALS**
- 3.6.9.1 Finals may be conducted in Outdoor events for Prone and 3P matches.
- 3.6.9.2 If Finals are conducted on Electronic targets they must be conducted to **ISSF Rule 6.17 FINALS IN OLYMPIC RIFLE AND PISTOL EVENTS**.
- 3.6.9.3 If Finals are conducted on paper targets, and are scored using target marking machines, they should be conducted as close as practicable to ISSF Rules. Shooting times should be as in the ISSF Rules but may include extra time to allow for changing targets.
- 3.6.9.4 If Finals are conducted on paper targets, and if it is not possible to hold shoot-offs for ties, then ties shall be broken by the countback rules in **ISSF Rule 6.15.1 INDIVIDUAL TIES IN 10M, 25M, 50M AND 300M EVENTS**.
- 3.6.9.5 For Finals conducted on electronic targets, or for matches conducted on paper targets and scored with target marking machines, finalists should be selected according to the ISSF Rules for Finals.
- 3.6.9.6 For Finals shot on paper targets with no scoring machine available, the Final may be conducted similar to indoor competitions or to some other format approved by the Match Committee. Finalists may be selected by any method approved by the Match Committee. Conditions for Finals, if different from ISSF Rules, must be published before the Qualifying Match begins.

3.7 TARGET SCORING (Ref ISSF Annex Rules for Paper Target Scoring, 6.10, 6.14)

- 3.7.1 Refer to **ISSF Rule 6.14 SCORING AND RESULTS PROCEDURES, 6.10 EST Competition Operations and ANNEX Rules for Paper Target Scoring**.
- 3.7.2 Paper Targets may be scored with an approved target scoring machine or with plug gauges.
- 3.7.3 Target scoring machines or Electronic Scoring Targets (EST) shall be used for all Designated Matches and for any other matches where decimal scoring is required. When an obvious error has occurred using the Target scoring machine, a modified ISSF type Finals gauge, or an ISSF overlay may be used to determine the correct decimal or integer score, using Rule 3.7.10.
- 3.7.4 Scoring shall be carried out by competent people appointed by the local Association for Postal Competitions, or the Range Committee for other competitions. All scoring shall be carried out with two scorers working together.
- 3.7.5 For targets specified in Rule 3.5 the value of the shot shall be decided by the edge of the shot hole closest to the centre of the target. All shots are scored according to the highest value of the target-scoring ring that is hit by that bullet hole.
- 3.7.6 Shots that are in dispute must be determined as to value by means of a certified plug gauge or other approved device. When the flange of the gauge touches any part of the outside of a scoring ring the shot must be scored at the higher value. The dimensions of the plug gauge for scoring doubtful shots on 50 metre and on 50 and 100 yard targets shall be as specified in Section 3, APPENDIX B.
- 3.7.7 A plug gauge may be inserted only once in any bullet hole. When a gauge is inserted in a shot hole to determine the value of a shot, the gauge shall not be removed from the target until the shot value is finally determined.
- 3.7.8 Where a plug gauge has been inserted in a bullet hole the result of the testing is to be indicated with an 'I' if the shot is 'in' or 'O' if the shot is 'out'. Each scorer shall initial the target to indicate that the plug gauge has been inserted and, lastly, the score attributed to the shot will be indicated on the target in Arabic numerals.
- 3.7.9 When the plug gauge has been inserted and the two scorers do not agree on the value of the shot a decision from a check scorer shall be obtained. The check scorer shall initial the target and note it as to whether the shot was determined to be 'In' or 'Out', and, lastly, note the score attributed to the shot. Such decision shall be final.
- 3.7.10 When the accurate use of the plug gauge is made difficult by the close proximity of another bullet hole, the shot value must be determined by means of an engraved magnifying gauge (eg. "Eagle Eye") and transparent flat overlay to aid in reconstructing the position of the scoring ring, or to determine the number of bullet holes which overlap. See Section 3, APPENDIX C for dimensions of overlay. Where doubt exists as to the correct value, the competitor shall be given the higher shot value.
- 3.7.11 Where an event uses 25 yard indoor targets the scoring procedures shall be as prescribed in TSNZ Indoor Competition Rules.
- 3.7.12 Hits outside the scoring rings of the shooter's own target are scored as misses at all ranges.

- 3.7.13 For irregular shots (overloads and crossfires) refer to **ISSF Rule 6.11.5 IRREGULAR SHOTS , 6.11.6 CROSSFIRES, and ANNEX Rules for Paper Target Scoring 4.3 TOO MANY SHOTS PER PAPER TARGET**

3.8 GRADING OF MEMBERS

Note: Grading shall apply to prone shooting only. No grading shall apply to 3 Position Competitions.

- 3.8.1 TSNZ shall grade members for the purposes of the competitions specified in Rule 3.1.1.
- 3.8.2 For the purposes of grading all affiliated members shall hold a "Shooter's Performance Card" and shall enter all official club, championship and representative scores shot between 1 October and 31 March.
- 3.8.3 Official scores include all scores shot at any club, championship or representative match that are not marked as 'Practice' prior to being shot.
- 3.8.4 Affiliated members shall compute gradings by adding all scores as defined in Rule 3.8.2 and dividing the result by the total number of 10-shot strings involved.
- 3.8.5 Affiliated members shall not later than 10 April forward their completed "Shooters Performance Card" to their Club Secretary.
- 3.8.6 Club Secretaries shall retain the "Shooters Performance Cards" for 12 months.
- 3.8.7 Club Secretaries shall check the calculations on the "Shooter's Performance Cards" and enter the member's name, number, average score and grade on the "Club Grading Form" as supplied by TSNZ, and shall return the completed "Club Grading Form" to the TSNZ Executive Officer not later than 30 April.
- 3.8.8 The TSNZ Executive Officer shall not later than 30 September in each year supply each Association with a master list of all outdoor gradings.
- 3.8.9 A minimum of four thirty-shot official scores at 50 metres shall be required for grading purposes.
- 3.8.10 For grading purposes there shall be four grades:
- A Grade 97.00 - 100
 - B Grade 95.00 - 96.99
 - C Grade 92.50 - 94.99
 - D Grade 92.49 and under
- 3.8.11 The level of average score to be attained for each grade shall be determined by way of Remit to the TSNZ Annual General Meeting.
- 3.8.12 A first year competitor shall automatically be D Grade, subject to Rule 3.1.9.
- 3.8.13 An ungraded competitor may enter any competition upon provision of a certificate, signed by the member's Club Secretary, of the last four thirty-shot official scores prior to the competition.
- 3.8.14 A competitor who returns to the sport after having been absent for a period of less than three years shall recommence with the grading held prior to that absence.
- 3.8.15 A competitor who returns to the sport after having been absent for a period of more than three years shall be graded by his/her Club on the average of four thirty shot official scores.
- 3.8.16 The Club Secretary shall forward this grading to the TSNZ Executive Officer for an official grading and issue of a Membership Card in compliance with Rule 1.A.1.
- 3.8.17 TSNZ, Associations and Clubs reserve the right to grade a member who wishes to enter a championship but who has not yet obtained an official TSNZ grading or membership card. A currently graded indoor competitor wishing to enter an Outdoor competition without having obtained an official outdoor grading may enter as per the following schedule relating to their Indoor Grade obtained at the end of the Indoor Season immediately prior to the relevant Outdoor Season:
- | | | |
|--------------------------|---|-----------------|
| Indoor Master or A grade | = | Outdoor B Grade |
| Indoor B Grade | = | Outdoor C Grade |
| Indoor C and D Grade | = | Outdoor D Grade |
- 3.8.18 The onus of entering the correct grade rests with the competitor.

3.9 COMPETITION OFFICIALS

3.9.1 RANGE COMMITTEE

- 3.9.1.1 Rifle meetings shall be under the general control of a Range Committee that shall consist of at least three people. The Range Committee shall arbitrate on any matter arising during the meeting. The Committee's decisions shall be final but subject to the appeal provisions of Rule 3.1.8.
- 3.9.1.2 At the National Outdoor Championships the Range Committee's decisions may be appealed to an Appeal Committee, composed of three members, whose decisions shall be binding but subject to the appeal provisions of Rule 3.1.8. No member of the Range Committee who was involved in the original decision may be a member of the Appeal Committee.

- 3.9.1.3 The Range Committee shall verify the competence of the officials under its control to apply these Rules.
- 3.9.1.4 In all matters the Range Committee shall have regard to the ethics of good sportsmanship and the intent of these Rules, which is to provide fair and equitable conditions to all competitors, as far as is practicable.
- 3.9.1.5 Competitors shall not be present at any Range Committee meeting when matters concerning them are being discussed. A competitor shall have the right, if so desired, to state a case to the Committee at some period during the proceedings before a decision is made. Where teams are concerned the team captains or managers are entitled to state a case prior to the conclusion of the Range Committee's deliberations.

3.9.2 CHIEF RANGE OFFICER

- 3.9.2.1 A Chief Range Officer must be appointed for each range whether other Range Officers are appointed or not. A Chief Range Officer shall hold a current Firearms Licence and be:
 - 3.9.2.2 Responsible to the Range Committee for the conduct of the competition and must co-operate with members of the Range Committee at all times;
 - 3.9.2.3 Responsible for ensuring that unlicensed competitors on the firing point are adequately supervised by the holder of an appropriate Firearms License, as required by the Arms Act 1983, and subsequent amendments;
 - 3.9.2.4 In charge of all range personnel and is responsible for their correct conduct;
 - 3.9.2.5 Responsible for arranging the measures to be taken for the rapid correction of any technical fault that may occur (e.g. power failure, mechanical breakdown, etc.), and must have technical experts and necessary back up services available;
 - 3.9.2.6 Required to take charge when irregularities occur.

3.9.3 RANGE OFFICERS

- 3.9.3.1 Where Range Officers are appointed they shall be responsible to the Chief Range Officer for the following duties. Where no Range Officers are appointed the Chief Range Officer shall be responsible for:
 - 3.9.3.2 Ensuring the safe conduct of the shoot and for interrupting shooting in the interests of safety at any time;
 - 3.9.3.3 Ordering from the firing point any competitor whose equipment or behaviour constitutes a risk to safety;
 - 3.9.3.4 Checking the names and identification numbers of competitors to ensure they correspond with the start list;
 - 3.9.3.5 Ensuring any commands are obeyed;
 - 3.9.3.6 The accurate recording of shots by Register Keepers, where these are employed;
 - 3.9.3.7 Supervising the correct operation of the targets;
 - 3.9.3.8 Receiving protests and passing them on to a Range Committee member;
 - 3.9.3.9 Recording all disturbances, penalties, cross fires, extra time allowances, repeated shots, and other irregularities, on the report sheet.

3.9.4 COMPETITION JURY

- 3.9.4.1 A Jury should be appointed for Matches conducted to ISSF Rules.
- 3.9.4.2 Juries are responsible for advising, assisting and supervising the competition officials appointed by the Organizing Committee.
- 3.9.4.3 Jury members must hold a current ISSF Judges' Licence.
- 3.9.4.4 For Jury duties refer to **ISSF Rule 6.8 COMPETITION JURY DUTIES AND FUNCTIONS.**

3.10 DESIGNATED MATCHES

- 3.10.1 Designated Matches are those matches used by TSNZ as selection matches for various international events. TSNZ in conjunction with NZSF will determine which matches will be Designated Matches. These will be listed on the TSNZ website. There are a limited number of matches which may be held annually.
- 3.10.2 Any shooter wanting to attend international competitions such as World Cups, World Championships, Oceania Championships, Commonwealth Shooting Championships, Commonwealth Games or Olympic Games will need to attend some, or all, of these Designated Matches.
- 3.10.3 Designated Matches must be run as close as possible to ISSF Rules.
- 3.10.4 Any Club or Association wanting to hold a Designated Match may apply to TSNZ and will need to demonstrate their ability to hold a championship to ISSF Rules. Allocation of the limited number of Designated Matches will be decided on merit.

3.11 POSTAL COMPETITIONS

- 3.11.1 Annual Postal Competitions shall be arranged by TSNZ. The relevant advertisements shall be forwarded to Associations and Outdoor Clubs not later than the week following the TSNZ AGM in each year.
- 3.11.2 The postal competitions shall include an Individual Championship in all grades at 50 metres.
- 3.11.3 A competitor may shoot for teams in different grades or categories within the same TSNZ Postal Competition. No competitor may shoot for more than one team in any grade or category within the same TSNZ Postal Competition.
- 3.11.4 The postal match format shall be set out in the annual advertisement and may be amended by a TSNZ General Meeting.
- 3.11.5 Entries for postal competitions shall be made on the official TSNZ entry form and be accompanied by the required entry fee.
- 3.11.6 Entries for Postal Competitions shall not be accepted unless post marked prior to the advertised closing date.
- 3.11.7 The TSNZ Executive Officer shall issue sufficient numbered stickers for each competitor. One sticker is to be affixed behind a counting diagram for each 10-shot series.
- 3.11.8 All targets for each competition shall be shot on subject to the special conditions laid down for the competition.
- 3.11.9 Completed targets shall be returned to the Association-authorized marker for scoring, not later than the date specified. Directly Affiliated Clubs may either have targets scored by a local Association-authorized marker or return shot and witnessed targets to the TSNZ Executive Officer for scoring.
- 3.11.10 Any target received in a damaged condition, other than normal weather damage, may be discounted.
- 3.11.11 The local Association-authorized marker shall score targets in accordance with the rules for scoring. The local Association shall provide certified gauges for scoring.
- 3.11.12 The local Association or Club shall ensure the correct score has been entered on the results form and forward the scores to the Executive Officer by the date specified in the annual advertisement and shall hold shot competition targets and electronic target scoring printouts until the final results are distributed. Shot targets and electronic target scoring printouts shall be forwarded to the Executive Officer on request. Any target received in a damaged condition where the value of the shot cannot be properly determined shall be declared invalid, and any score found to be incorrectly applied shall be amended. Should any target(s) or electronic scoring printout(s) be unavailable for checking by the Executive Officer, or examination of the target(s)/printout(s) reveal that the rules of the competition have not been followed, the competitor shall be disqualified from the competition.
- 3.11.13 Results of the Postal Competitions shall be published and contain the scores of all competitors. Copies shall be sent to all local Associations and competing Clubs.
- 3.11.14 Postal Competition trophies shall be forwarded to the winners only if requested in writing. The TSNZ Executive shall require adequate guarantees for the return of all Postal Competition trophies in good order and condition.
- 3.11.15 **WITNESSES**
- 3.11.15.1 A Witness drawn from the following qualified people shall supervise the shooting of every Postal Competition target:
- A member of the TSNZ Executive;
 - A person appointed or approved by the TSNZ Executive.
- 3.11.15.2 Duties of Witnesses - the duties of the Witness shall be:
- To be conversant with these Rules of Conduct and the conditions of the competition;
 - To be present on the range during the entire shoot;
 - To ensure the stickers are correctly affixed to each target before the targets are placed on the target frames and the competitors are shooting the correct targets;
 - To sign and date each target after it has been shot;
 - To promptly advise the TSNZ Executive of any infringements of the rules.
- 3.11.15.3 A Witness may not witness his/her own shoot in any competition.
- 3.11.15.4 The TSNZ Executive reserves the right to appoint a special Witness.
- 3.11.15.5 Any club having difficulty in obtaining a Witness may apply to the local Association for assistance, and be prepared to pay reasonable out-of-pocket expenses, if required, to the person appointed.

3.12 OUTDOOR NATIONALS

- 3.12.1 A National Outdoor Championship shall be conducted annually, on a shoulder-to-shoulder basis, at a venue and by a

host Association, in conjunction with TSNZ, selected not less than three years ahead by a TSNZ Annual Meeting.

3.12.2 The venue shall alternate between the North and South Islands unless the TSNZ Annual General Meeting decides otherwise.

3.12.3 The event dates are required to incorporate the weekend designated **PLUS 17** on the TSNZ annual calendar. Where the Nationals conflict with an ISSF sanctioned event the TSNZ Executive, in consultation with the Host organising committee, may change the date of the Nationals, by no more than a week, to allow TSNZ members to compete, or officiate at both events. Such date changes to be promulgated as soon as advised by the ISSF of their dates but no later than 6 months prior to the scheduled date for the Nationals.

The National Outdoor Championship programme of events may be determined by the Host Association subject to Rule 3.12.5. Full details of the proposed programme of events must be provided to the TSNZ Executive not later than 30 September in the year prior to the event for their approval.

3.12.4 The National Outdoor Championship programme of events

i) MUST include:

3P National Championship	Men / Women - 3 x 20 shots plus Final
3P National Championship	Junior Men / Junior Women – 3 x 20 shots
50m Prone TSNZ **	Graded Match 1 – all grades 60 shots
50m Prone National Championship **	Junior Qualification – 60 shots
50m Prone National Championship **	Women's Elimination (if required) – 60 shots Women's Qualification – 60 shots
50m Prone National Championship **	Men's Elimination (if required) – 60 shots Men's Qualification – 60 shots
50m Prone Island Teams	Inter-Island Match – 60 shots
50m Prone NZ Teams	Slazenger / Wakefield / Women / Junior Teams – 60 shots
Presentation	Photographs and Award Function

** Events counting towards NZ Team Selection

ii) MAY include:

50m Prone	Badge Match, as determined by Host Association
50m Prone TSNZ **	Graded Match 2 – all grades 60 shots
50m Prone Association Teams	As determined by Host Association
Other Events	As determined by Host Association

3.12.5 The TSNZ Executive may approve variations to the proposed and/or agreed programme provided any such variations are approved prior to the distribution of the programme and entry forms.

3.12.6 Variations after the distribution of the programme and entry forms may be made only in the event of special circumstances (for example, after entries close too few entries received, or entry numbers exceed the range size, etc). Such variations must be approved by the TSNZ Executive, and must be as a result of consultation between the Host Association and TSNZ Liaison officer.

3.12.7 Any changes made after the distribution of the programme and entry forms must be publicised as soon as practically possible. Any changes made after close of entries must be distributed to all entered participants affected by the change within 24 hours of the change being approved.

3.12.8 International matches may be included in the programme.

3.12.9 All medals and representative pockets shall be presented at the social function arranged by the Host Association, except for Air Rifle and Three Position medals which may be presented on the day of competition.

3.12.10 TSNZ Medals shall be awarded by TSNZ for the New Zealand National Championship events at the National Outdoor Championships according to the current TSNZ Trophy Steward Guidelines.

3.12.11 Medals shall be awarded by TSNZ to three placings in all TSNZ Graded events, provided each recipient has completed the course of fire.

3.12.12 The type of award for the Badge Match is at the discretion of the Host Association. The type of award to be given each year must be clearly stated on the entry form.

3.12.13 Events shall not be conducted where there is only one entrant and that sole entrant must be notified at least seven days prior to the event.

3.12.14 DUTIES OF HOST ASSOCIATION

3.12.14.1 The Host Association shall be responsible for:

3.12.14.2 Obtaining approval of the TSNZ Executive for the National Outdoor Championship programme not later than 30 September in the year preceding the event;

3.12.14.3 Arranging distribution of the programme and entry forms to all local associations and outdoor clubs not later than 30 November prior to the Championships;

- 3.12.14.4 Providing an approved range with a minimum of twenty-two firing points;
- 3.12.14.5 Providing a list of recommended accommodation and all accommodation arrangements to be the responsibility of the individuals;
- 3.12.14.6 Arranging the programme for the event, including a social function;
- 3.12.14.7 Providing time in the programme for the introduction of teams and the presentation of team date bars;
- 3.12.14.8 Providing a minimum of three qualified target scorers and sufficient TSNZ-approved gauges;
- 3.12.14.9 Providing equipment and personnel for carrying out equipment and rifle checks;
- 3.12.14.10 Providing sufficient qualified personnel to serve as Range Officers, target changers, and the like;
- 3.12.14.11 Making provision for adequate practice for all participants on the days prior to the matches;
- 3.12.14.12 Making provision for the display of scores as they come to hand;
- 3.12.14.13 Providing a copy of the full results of the meeting to all competitors;
- 3.12.14.14 Arranging, where requested by the TSNZ Executive, for the marking of international postal teams matches shot during the National Outdoor Championships, including verification of scores for forwarding overseas;
- 3.12.14.15 Full co-operation with the Liaison Officer appointed by the TSNZ Executive to supervise arrangements for and conduct of the event. Refer to Section 3, APPENDIX A for the Liaison Officer's duties.
- 3.12.14.16 A Host Association may obtain assistance from other local Associations or Clubs.

3.13 INTER-ISLAND OUTDOOR TEAMS MATCHES

3.13.1 ELIGIBILITY, NOMINATION AND SELECTION

- 3.13.1.1 The Inter-Island Open match shall be competed for annually between teams comprising ten members and one emergency.
- 3.13.1.2 All competitors at the National Outdoor Championship shall be eligible for inclusion in the Inter-Island Teams by use of the following process:
 - 3.13.1.3 Scores shall be aggregated to determine a ranking list for all competitors from the following events: Graded Match 1, Graded Match 2 (if shot), plus the first match shot of the TSNZ National Championship. Any score disqualification under Rule 3.4.3 shall not apply to eligibility or selection.
 - 3.13.1.4 The top ten competitors from each Island shall be named as the Inter-Island teams with the 11th ranked competitor from each Island being named as the Emergency.

3.13.2 INTER ISLAND TEAM MANAGERS

- 3.13.2.1 Any member of TSNZ who wishes to nominate for the position of Manager of either of the teams defined in Rule 3.13.1 shall, not later than 1 December, submit his/her written nomination to the TSNZ Executive Officer.
- 3.13.2.2 The TSNZ Executive shall, not later than 20 January in the year of the event, appoint a Manager for each team.
- 3.13.2.3 The TSNZ Executive Officer shall provide all the necessary forms and stationery to the Team Managers when advising them of appointment.

3.13.3 INTER ISLAND MATCH DETAILS

- 3.13.3.1 The match shall be shot during the National Outdoor Championship and be conducted by the Host Association.
- 3.13.3.2 The match shall be shot over 50 metres and will consist of one sixty-shot match, which may be shot as two thirty-shot matches, by each team member and emergency.
- 3.13.3.3 The match shall be shot under TSNZ Outdoor Competition Rules and on the targets specified in Rule 3.3.
- 3.13.3.4 The match shall be shot shoulder-to-shoulder and squads shall be so arranged that no two members of either team occupy adjacent mounds.
- 3.13.3.5 The winning team shall be awarded the South Canterbury Jewellers Association Silver Tray to hold for one year. Ties shall be determined in the manner for deciding ties in Rule 3.6.8.
- 3.13.3.6 The team member or emergency who returns the highest score in the match shall be awarded the Goodwill Trophy to hold for one year. Ties for this trophy shall be decided in the manner for deciding individual ties set out in Rule 3.6.8.

3.13.4 INTER ISLAND REPRESENTATIVE AWARDS

- 3.13.4.1 On first representation in an Island Team each member and emergency shall be awarded a representative badge depicting the event plus a date bar for that year. On subsequent representation in the team a date bar only shall be awarded.

- 3.13.4.2 Date bars shall be presented on the range and shall be recorded as issued. All new badges shall be presented at the social function.
- 3.13.4.3 The TSNZ Trophy Steward shall maintain a suitable logbook to record all Island and National representative team members and have such logbook present at the National Outdoor Championship.

3.14 INTERNATIONAL MATCHES

- 3.14.1 International matches as may be organized by TSNZ will be shot on the final day of the National Championships. TSNZ shall advise the host association all details on the Internationals to be included in the programme (including match rules) not later than 30th September in the year preceding the event.
- 3.14.2 The required number of shooters for any International match shall be named in order of ranking from the lists compiled in accordance with Rule 3.13.1.3. Conditions of the competition such as gender and age shall be acknowledged as required.
- 3.14.3 Competitors may be selected for more than one team, but shall only shoot one International match, with their score counting for all teams.
- 3.14.4 The team and course of fire shall be as specified in the rules for the match.
- 3.14.5 To be eligible for selection for International matches, shooters should comply with the equipment and clothing standards for that match.

3.15 NATIONAL AWARDS

- 3.15.1 On first representation in a National Team a member shall be awarded a New Zealand representative medal appropriate to the event and a date bar. On subsequent representation, a white date bar only will be awarded.
- 3.15.2 On first representation in a National Open Team a member shall be awarded a Silver Fern pocket bearing the words 'New Zealand Smallbore Rifle Team'.
- 3.15.3 On first representation in a National Women's Team a member shall be awarded a Silver Fern pocket bearing the words 'New Zealand Women's Smallbore Rifle Team'.
- 3.15.4 On first representation in a National Junior Team a member shall be awarded a Silver Fern pocket bearing the words "New Zealand Junior Smallbore Rifle Team".
- 3.15.5 Shooters who qualify for new National awards at the National Outdoor Championships shall have them presented at the social function.
- 3.15.6 National Awards shall only be granted for postal events where the team is assembled at one venue and the match is shot on a shoulder-to-shoulder basis on one calendar day.
- 3.15.7 Any shooter required to shoot as an emergency for any National team shall be considered to be part of the team, and shall be entitled to National Awards.
- 3.15.8 Silver Fern pockets shall only be worn on an approved blazer.

3.15.9 REPLACEMENT SILVER FERN POCKETS

One only additional pocket may be purchased from TSNZ, at a price to be fixed by the TSNZ Executive. Requests for replacement or additional pockets must be approved by the TSNZ Executive and recorded by the Trophy Steward. In exceptional circumstances (e.g. loss through fire or burglary) TSNZ may approve dispensation from this requirement.

SECTION 3 APPENDIX A - TSNZ LIAISON OFFICER

- Appointment:** The TSNZ Executive shall appoint the Liaison Officer.
The TSNZ Executive Officer shall advise the organisers of the event, and the Teams Managers, of the Liaison Officer's appointment.
- Criteria:** The Liaison Officer should reside within reasonable distance of the event venue.
The Liaison Officer shall be conversant with the rules and regulations of TSNZ.
The Liaison Officer where practicable shall be the holder of an ISSF Judges Licence.
- Powers:** The Liaison Officer shall be empowered to mediate on any dispute arising during the running of the event.
In the settling of disputes, the Liaison Officer shall have regard to the rules of competition, their intent, and the recognised code of good sportsmanship.
- Duties:** To consult with the organisers on any problems during the time leading up to the event;

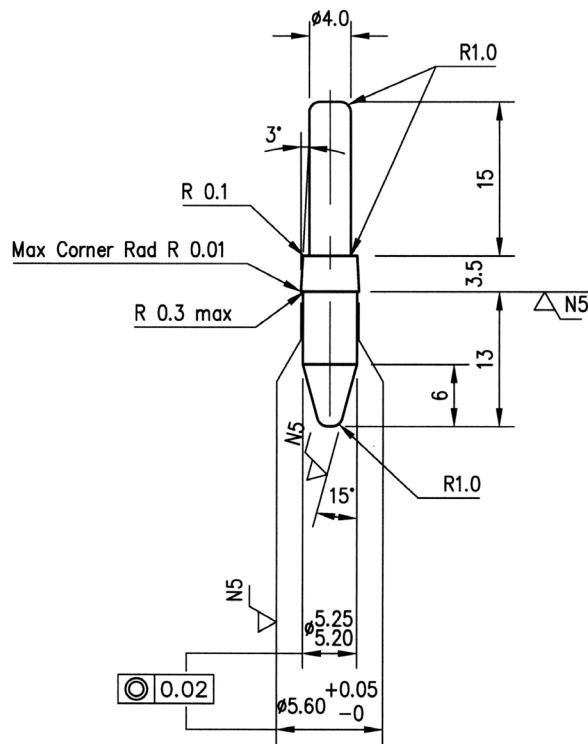
To be readily available at all times during the event;

To inspect the following:
 (a) The range, before and during the event;
 (b) The setting up and retrieval of targets;
 (c) Marking and recording of scores;
 (d) The area available to competitors for their equipment;

To provide a written, detailed report on all disputes to the TSNZ Executive;

To provide, within a reasonable time after the event, a general report on problems and suggestions for future events.
- General:** The Liaison Officer must be involved in all disputes concerning the above areas.
The Liaison Officer will ensure only those persons directly concerned with any dispute are involved in deliberations.
The Liaison Officer may call on any of the following persons, at his/her discretion, to assist in the resolution of a dispute:
 Team Managers;
 Range Officers;
 Range Committee;
 Markers;
 The principal event Organiser;
 Members of the TSNZ Executive;
 Any other person whose specialised expertise the Liaison Officer considers necessary to conclude any dispute.

SECTION 3 APPENDIX B - PLUG GAUGE



3	Updated for TSNZ	EA	12.08.07
2	Updated for TSNZ	EA	15/5/00
A	Issued for Approval	EA	10/5/98
	Revision	By	Date

$\text{◎} 0.02$ = Concentricity Tolerance

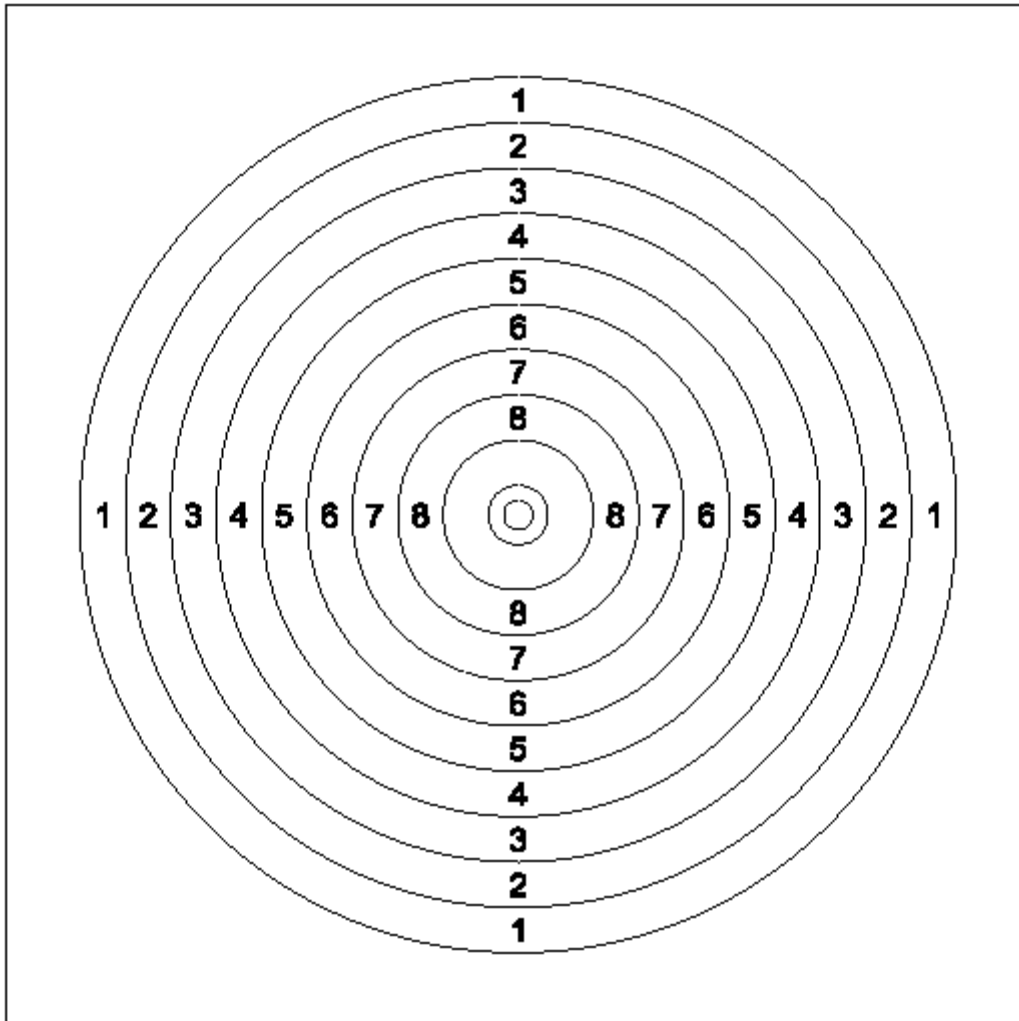
Surface Finish as indicated $N5 = 0.4$ micron

Surfaces not Designated $N7 = 1.6$ micron

Material: 303 Stainless Steel

Drawn: E Adlam	TARGET SHOOTING NEW ZEALAND	Drawing No.
Date: 10 May 98	Standard Smallbore Scoring Gauge	A4-604.4
A4 Scale: 2:1	Machining Details	Rev: 3

SECTION 3 APPENDIX C - 50M OVERLAY DIMENSIONS



- 10 Ring 10.4 mm (±0.1 mm) 5 Ring 90.4 mm (±0.5 mm)**
9 Ring 26.4 mm (±0.1 mm) 4 Ring 106.4 mm (±0.5 mm)
8 Ring 42.4 mm (±0.2 mm) 3 Ring 122.4 mm (±0.5 mm)
7 Ring 58.4 mm (±0.5 mm) 2 Ring 138.4 mm (±0.5 mm)
6 Ring 74.4 mm (±0.5 mm) 1 Ring 154.4 mm (±0.5 mm)
Inner Ten Ring 5 mm (±0.1 mm)
Ring Thickness 0.2 to 0.3mm .

**TARGET SHOOTING
NEW ZEALAND
INCORPORATED**



**RULES OF CONDUCT
AIR RIFLE COMPETITION**

1 November 2023

TABLE OF CONTENTS

AIR RIFLE COMPETITION

SECTION 4 - RULES OF CONDUCT - AIR RIFLE COMPETITION	64
4.1 GENERAL	64
4.2 SAFETY	64
4.3 RANGE AND TARGET STANDARDS (Ref ISSF 7.3).....	65
4.4 RIFLES, AMMUNITION, EQUIPMENT & CLOTHING STANDARDS (Ref ISSF 7.4,7.5)	65
4.5 RIFLE EVENTS (Ref ISSF 7.6)	65
4.6 EVENT PROCEDURES AND COMPETITION RULES (Ref ISSF 7.7, 7.9)	66
4.7 TARGET SCORING (Ref ISSF 6.14).....	68
4.8 COMPETITION OFFICIALS	68
4.9 DESIGNATED MATCHES	69
4.10 POSTAL COMPETITIONS	69
4.11 NATIONAL CHAMPIONSHIP	70
4.12 MERIT BADGES.....	71

SECTION 4 - RULES OF CONDUCT - AIR RIFLE COMPETITION

These Rules cover the conduct and management of Air Rifle competition at National and local level and shall be read in conjunction with current ISSF Rules. Any matter not covered shall be determined in compliance with the current ISSF Rules. All athletes wishing for International representation must comply with ISSF rules in all aspects.

4.1 GENERAL

- 4.1.1 These Rules shall apply to all TSNZ sanctioned events, TSNZ Postal Championships, and Open Championship or Open Sweepstake events conducted by Associations and Directly Affiliated Clubs.
- 4.1.2 Competitors shall make themselves conversant with these rules and with the conditions of the competitions. Failure to comply with the rules, or engaging in any dishonest, discreditable or dangerous conduct at any competition sanctioned by TSNZ, shall render the competitor liable to such penalty as the Range Committee may decide. Subject to the discretion of the Range Committee, such conduct may also be reported to the TSNZ Executive, which may impose such other disciplinary action as it sees fit. Any competitor collaborating in such conduct may be liable to the same penalties. (See Rule 4.1.8 for appeals to TSNZ Executive)
- 4.1.3 Any competitor entering any competition under an assumed name or supplying incorrect information on the entry form shall be guilty of dishonest conduct and shall be dealt with by the Range Committee under the provisions of Rule 4.1.2. (See Rule 4.1.8 for appeals to TSNZ Executive)
- 4.1.4 Any system, practice, device or accessory which may give a competitor an advantage over others and which is not mentioned in these Rules, or which is contrary to the spirit of good sportsmanship, is prohibited.
- 4.1.5 Any order exhibited by the Range Committee at the point where entries are taken at any event shall be binding on all competitors. (See Rule 4.9.1.4)
- 4.1.6 Competitors must comply with the orders of the Range Officer but no competitor shall be disadvantaged through following any order given by a Range Officer.
- 4.1.7 All these Rules, and any orders issued in accordance with Rule 4.1.5, shall be subject to, and comply with, current NZ firearms legislation.
- 4.1.8 Any Member of TSNZ has the right to refer any matter, or appeal any local ruling, to the TSNZ Executive that shall be the final arbiter on disputes and matters of interest. These referrals or appeals will be allowed by reasons of natural justice and interpretation of the intent of the TSNZ Air Rifle Rules, and must be received by the TSNZ Executive within 28 days of the matter occurring or receipt of the local ruling.

4.1.9 DEFINITIONS OF COMPETITORS

First year competitor - one who has not been a shooting member of any rifle club of any calibre.

Junior - A competitor who is under the age of twenty-one years on the 31st December in the year of competition. Proof of age may be required.

Veteran - A competitor who is sixty years of age or over on the first day of the particular competition. Proof of age may be required.

4.1.10 ELIGIBILITY TO COMPETE

- 4.1.10.1 Subject to the special conditions of any competition, the following are eligible to compete in TSNZ sanctioned events:

In **Individual competitions** - any financial member of TSNZ;

In **Team competitions** - financial members of any rifle club affiliated to TSNZ. A competitor may represent more than one club during any year, but only in different competitions in that year;

In **Association competitions** - financial members of any Association affiliated to TSNZ. A competitor may represent more than one Association during any year, but only in different competitions in that year;

Overseas shooters may compete in any competition provided they are affiliated members of their National Association.

- 4.1.10.2 No shooter, Club, or Association not affiliated to TSNZ shall take part in any competition run by any affiliated body.

- 4.1.10.3 Unless otherwise specified in the conditions a Club or Association may enter any number of teams and take any number of prizes.

4.2 SAFETY

- 4.2.1 The safety of competitors, range officials and spectators requires continued attention to safe firearms handling. Self-discipline is necessary on the part of all concerned. Where such discipline is lacking, it is the duty of range officials to

enforce discipline, and the duty of all members of TSNZ to assist and encourage such enforcement.

- 4.2.2 The Range Committee is responsible for overall safety. The Range Committee may establish further safety rules considered necessary for any particular venue.
- 4.2.3 The Chief Range Officer is responsible for giving any necessary commands.
- 4.2.4 The Range Officer is responsible for safety on the firing point and must ensure that the commands are obeyed and that all firearms are handled safely.
- 4.2.5 Any competitor who acts in an unsafe manner, or fails to respond to the commands of the Chief Range Officer, shall be required to stop firing immediately and the matter shall be reported to the Range Committee for consideration.
- 4.2.6 Any person who has consumed alcohol or other substance which may render him/her unsafe to handle firearms, shall not participate in any shooting competition while under the influence of the alcohol or other substance.
- 4.2.7 All rifles must be kept unloaded, with actions open, and a safety flag inserted except when on the firing point and the Range Officer has given the instructions to remove or insert safety flags.
- 4.2.8 Rifles must only be loaded on the firing point, with the muzzle pointing forward of the firing line, after the command "SHOOTERS LOAD" or "SHOOTERS START" has been given.
- 4.2.9 An air rifle is considered to be loaded when a pellet is on the loading ramp or in the breech, regardless of whether the action is open or closed.
- 4.2.10 At the end of the detail the Range Officer shall give the command "SHOOTERS, CLEAR ACTIONS, AND INSERT SAFETY FLAGS". Competitors shall respond by closing and opening the action and shall then insert a safety flag. The Range Officer shall verify that all actions are clear and safety flags are in before the rifles are taken from the firing point.
- 4.2.11 When personnel are forward of the firing line all actions shall be in a safe condition and the rifle be placed on the bench or stand, or be held with the muzzle pointed vertically upwards.
- 4.2.12 Dry fire and aiming exercises are permitted only with the permission of the Chief Range Officer, and only on the firing point or in a designated area.
- 4.2.13 During competition a rifle may be put down only after the action has been placed in a safe condition.
- 4.2.14 At the end of the detail the Range Officer shall verify that all actions are clear before the rifles are taken from the firing point.
- 4.2.15 All competitors are urged to wear earplugs, earmuffs, or similar hearing protection.

4.3 RANGE AND TARGET STANDARDS (Ref ISSF 7.3)

- 4.3.1 All ranges must be inspected and certified by a Range Safety Inspector appointed by the TSNZ Executive. Re-inspection shall be required when substantial alterations or modifications are made to the range. It is the responsibility of the affiliated body concerned to make application to TSNZ for any inspection.
- 4.3.2 Any target system may be used, providing it guarantees the necessary degree of safety, and efficient changing of the targets.
- 4.3.3 Where automatic target carriers or changers are used, the competitor may control target changing or may have the Assistant, where they are engaged, change the targets. Responsibility for shooting on the correct target rests solely with the competitor.
- 4.3.4 Refer to **ISSF Rule 7.3 RANGE AND TARGET STANDARDS**.

4.4 RIFLES, AMMUNITION, EQUIPMENT & CLOTHING STANDARDS (Ref ISSF 7.4, 7.5)

- 4.4.1 Refer to **ISSF Rule 7.4 RIFLES AND AMMUNITION** and **7.5 CLOTHING REGULATIONS**.
- 4.4.2 Shooters who want to be included on the NZ Shooting Federation Ranking Lists and be eligible for selection to compete in International events should comply with ISSF Rules.
- 4.4.3 Shooters who want to be included on the NZSF ranking lists should advise the TSNZ Office by 31 December or other such date as the Executive may from time to time determine. Any shooter who fails to nominate before the start of the selection period may apply to TSNZ to have their name included, and TSNZ may approve such applications provided the shooter's equipment and clothing complies with **ISSF Rules 7.4 and 7.5**.

4.5 RIFLE EVENTS (Ref ISSF 7.6)

- 4.5.1 Refer to **ISSF Rule 7.6 SHOOTING EVENT PROCEDURES AND COMPETITION RULES**
- 4.5.2 **PHYSICAL DISABILITY PROVISIONS**

- 4.5.2.1 The Range Officer may authorise another person to act for any competitor, who due to physical disability is unable to adjust the sights.
- 4.5.2.2 The use of a double arm sling, where such is necessary, is permitted.
- 4.5.2.3 The use of an artificial arm is permitted, provided it is being used solely as a substitute for a natural arm.
- 4.5.2.4 Any competitor who, by reason of physical handicap other than an artificial arm, cannot support a rifle in the manner required by these Rules may be granted a dispensation.
- 4.5.2.5 Any competitor suffering from defective eyesight and whose condition the provisions of Rule 4.4.4 cannot rectify may apply for dispensation to use additional optical aids.
- 4.5.2.6 Dispensations granted under this Section shall continue for not more than five years. Applications for renewal of a dispensation shall be made not less than three months prior to the expiry date of the dispensation in accordance with Rule 4.5.2.8.
- 4.5.2.7 Where a surgical procedure or other treatment is undertaken prior to the date of renewal to correct or modify a physical or optical disability for which a dispensation has been granted, the dispensation shall be void and a further application must be made if required.
- 4.5.2.8 Applications for dispensations shall be made to the Executive of TSNZ through the local Association and be accompanied by evidence sufficient to prove the dispensation is necessary to allow the applicant to participate in the sport to the best of his/her ability.

Medical certificates or Optometrist's certificates shall be considered the minimum evidence to be submitted. Photographs of any aids required are recommended.
- 4.5.2.9 Dispensations are not permitted or recognised for ISSF events.

4.6 EVENT PROCEDURES AND COMPETITION RULES (Ref ISSF 7.7, 7.9)

- 4.6.1 Refer to **ISSF Rule 7.7 RIFLE EVENTS** and **7.9 RIFLE EVENT TABLE**
- 4.6.2 Range standards and competition conditions for Designated Matches and other matches which are used for international selection shall be as close as practicable to ISSF Rules.
- 4.6.3 If other Championships are conducted on paper targets and are scored using target marking machines, they should be conducted as close as practicable to ISSF Rules.
- 4.6.4 Where matches are conducted on Electronic Scoring Targets, ISSF Rules pertaining to their use will apply.
- 4.6.5 **AIR RIFLE COMPETITIONS**
- 4.6.5.1 TSNZ will conduct all domestic competitions specified in Rule 4.1.1 in Men's events and Women's events.
- 4.6.5.2 Matches conducted at Air Rifle Championships shall be run as close as practicable to ISSF and IPC Rules.
- 4.6.5.3 TSNZ will maintain a schedule of all competition scores including all Open Championship, Designated Matches, Winter Series, Oceania or other Representative scores (not club scores) and may be either 40 or 60 shot matches.
- 4.6.5.4 An ISSF-style Final may be shot according to competition rules by the top 8 shooters, using the shooters' Qualification Match scores. If the event has Junior Men's and/or Junior Women's matches then Finals may be included for Juniors, which could be run in conjunction with the Men's and Women's Finals.
- 4.6.5.5 Awards for the championship where an elimination final is shot shall be awarded according to the current ISSF Rules.
- 4.6.5.6 Ties at any stage of the competition shall be broken in accordance with ISSF Rules.
- 4.6.5.7 The score recorded for the purpose of a Designated Match or Selection Match will be the Qualification Match score.
- 4.6.6 **SHOOTING AND SQUADDING TIMES**
- 4.6.6.1 Where self squadding applies, all circulars or programmes for competitions shall state the opening and closing times of each day's squadding and/or shooting. Shooting shall be permitted on the range only between those times unless sanctioned by the Range Committee.
- 4.6.6.2 Where prior entry applies, competitors and team officials shall be informed of the exact shooting time schedules and allocation of firing points by 4pm on the day preceding the day of pre-event training, if held, or by 4pm on the day before the competition if there is no provision for pre-event training.
- 4.6.6.3 Upon their names or numbers being called, competitors shall take their places on the firing point.
- 4.6.6.4 Competitors shall fire over the numbers on the firing point that correspond to the allocated target numbers.
- 4.6.6.5 Only competitors actually firing are allowed on the firing point, except in Team events where a coach is specifically permitted by the rules of the event. (See Rule 4.6.9.3)
- 4.6.6.6 Where a competition requires competitors to fire in more than one detail or squad, competitors may fire in consecutive details or squads provided they leave the firing point between details or squads.

- 4.6.6.7 A competitor who withdraws at any time after firing the first sighting shot in any competition shall not be replaced.
- 4.6.6.8 If a competition lasts for more than one day all competitors shall fire an equal number of shots each day.
- 4.6.6.9 The competition will commence on the command "SHOOTERS START", and time will be reckoned from that command. No shot may be fired until that command is given. Every shot fired after that command will be recorded for the competition.
- 4.6.6.10 The competition will end when the command "SHOOTERS STOP" is given and shooters shall stop shooting immediately.
- 4.6.6.11 Any shots fired before the start of the official shooting time, or after the end of the official shooting time, or not fired at all, shall be scored as misses.
- 4.6.6.12 **Competition Times** shall be in accordance with **ISSF Rules**.
- 4.6.6.13 **Sighting Shots** are permitted in accordance with **ISSF Rules**.
- 4.6.6.14 **Interruptions** – if any shooter is interrupted refer to **ISSF Rule 6.11.5 INTERRUPTIONS**.
- 4.6.6.15 **Malfunctions** – refer to **ISSF Rule 6.13 MALFUNCTIONS**.
- 4.6.7 **PRACTICE SHOOTING**
- Practice shooting shall be allowed where circumstances permit, but shall not be allowed before the start of competition on a competition day.
- 4.6.8 **SPOTTING**
- 4.6.8.1 In all competitions other than ISSF events, competitors may either spot for themselves or have their shots spotted by another person from the rear of the firing point.
- 4.6.8.2 Spotting is restricted solely to a description of the shot placement using the 'CLOCK' method. Spotters may not move on to the firing point, for any purpose, without the consent of the Range Officer. A spotter may also act as a coach for a shooter allowed coaching.
- 4.6.9 **COACHING**
- 4.6.9.1 For Coaching in ISSF competitions refer to **ISSF Rule 6.12.5 COACHING DURING ANY EVENT**.
- 4.6.9.2 Coaching, where a competitor receives advice or instructions, during a non-ISSF competition and where permitted by the conditions of those other competitions, may be carried out subject to the following conditions:
- 4.6.9.3 Teams - Where permitted by the rules of the event, coaching is available to all team members and may be carried out on the mound provided other competitors are not disturbed.
- 4.6.9.4 Competitors may leave the firing point at any time, but shall not disturb any other competitor and shall not remove any equipment or firearm until the command "SHOOTERS CLEAR ACTIONS AND INSERT SAFETY FLAGS", has been given and observed (See Rule 4.2.13).
- 4.6.9.5 A competitor wishing to speak to another person must leave the firing point. This must be done without disturbing any other competitor and after unloading and leaving the firearm in a safe condition.
- 4.6.9.6 Team officials must not contact competitors directly or talk with them while they are on the firing point. A team official wishing to speak to a team member on the firing point must first obtain permission of the Range Officer who will arrange for the member to leave the firing point.
- 4.6.10 **PROTEST TIMES**
- 4.6.10.1 For Electronic Targets refer to **ISSF Rule 6.16.6.2 EST SCORE PROTESTS**.
- 4.6.10.2 For Paper Targets refer to **ISSF Rule 6.16.6.3 PAPER TARGET PROTESTS**.
- 4.6.11 **TIE BREAKING**
- 4.6.11.1 For any matches advertised by the organising committee as being conducted under TSNZ or ISSF rules, ties shall be broken by the procedures contained in the current ISSF Rules.
- 4.6.12 **FINALS**
- 4.6.12.1 Finals may be conducted in Air Rifle events.
- 4.6.12.2 If Finals are conducted on Electronic targets they must be conducted to **ISSF Rule 6.17 FINALS IN OLYMPIC RIFLE AND PISTOL EVENTS**.
- 4.6.12.3 If Finals are conducted on paper targets, and are scored using target marking machines, they should be conducted as close as practicable to ISSF Rules. Shooting times should be as in the ISSF Rules but may include extra time to allow for changing targets.

- 4.6.12.4 If Finals are conducted on paper targets, and if it is not possible to hold shoot-offs for ties, then ties shall be broken by the countback rules in **ISSF Rule 6.15.1 INDIVIDUAL TIES IN 300M, 50M, 25M AND 10M EVENTS**
- 4.6.12.5 For Finals conducted on electronic targets, or for matches conducted on paper targets and scored with target marking machines, finalists should be selected according to the ISSF rules for Finals.
- 4.6.12.6 For Finals shot on paper targets with no scoring machine available, the Final may be conducted similar to indoor competitions or to some other format approved by the Match Committee. Finalists may be selected by any method approved by the Match Committee.
- 4.6.12.7 Conditions for Finals, if different from ISSF Rules, must be published before the Qualifying Match begins.

4.7 TARGET SCORING (Ref ISSF 6.14)

- 4.7.1 Refer to **ISSF Rule 6.14 SCORING AND RESULTS PROCEDURES**
- 4.7.2 Paper Targets may be scored with an approved target scoring machine.
- 4.7.3 Target scoring machines or Electronic Scoring Targets (EST) shall be used for all Designated Matches and for any other matches where decimal scoring is required.
- 4.7.4 Scoring shall be carried out by competent people appointed by the local Association for Postal Competitions, or the Range Committee for other competitions. All scoring shall be carried out with two scorers working together.
- 4.7.5 For targets specified in Rule 4.3 the value of the shot shall be decided by the edge of the shot hole closest to the centre of the target. All shots are scored according to the highest value of the target-scoring ring that is hit by that bullet hole.
- 4.7.6 For irregular shots (overloads and crossfires) Refer to **ISSF Rule 6.11.7 IRREGULAR SHOTS IN 10M, 50M AND 300M EVENTS**

4.8 COMPETITION OFFICIALS

4.8.1 RANGE COMMITTEE

- 4.8.1.1 Rifle meetings shall be under the general control of a Range Committee that shall consist of at least three people. The Range Committee shall arbitrate on any matter arising during the meeting and its decisions shall be final but subject to the appeal provisions of Rule 4.1.5.
- 4.8.1.2 At the National Air Rifle Championships the Range Committee's decisions may be appealed to an Appeal Committee, composed of three members, whose decisions shall be binding but subject to the appeal provisions of Rule 4.1.5. No member of the Range Committee who was involved in the original decision may be a member of the Appeal Committee.
- 4.8.1.3 The Range Committee shall verify the competence of the officials under its control to apply these Rules.
- 4.8.1.4 In all matters the Range Committee shall have regard to the ethics of good sportsmanship and the intent of these Rules, which is to provide fair and equitable conditions to all competitors, as far as, is practicable.
- 4.8.1.5 Competitors shall not be present at any Range Committee meeting when matters concerning them are being discussed. A competitor shall have the right, if so desired, to state a case to the Committee at some period during the proceedings before a decision is made. Where teams are concerned the team captains or managers are entitled to state a case prior to the conclusion of the Range Committee's deliberations.

4.8.2 CHIEF RANGE OFFICER

- 4.8.2.1 A Chief Range Officer must be appointed for each range whether other Range Officers are appointed or not. A Chief Range Officer shall hold a current Firearms Licence and be:
 - 4.8.2.2 Responsible to the Range Committee for the conduct of the competition and must co-operate with members of the Range Committee at all times;
 - 4.8.2.3 Responsible for ensuring that unlicensed shooters on the firing point are adequately supervised by the holder of an appropriate Firearms License, as required by the Arms Act 1983 and subsequent amendments;
 - 4.8.2.4 In charge of all range personnel and is responsible for their correct conduct;
 - 4.8.2.5 Responsible for arranging the measures to be taken for the rapid correction of any technical fault which occur (e.g. power failure, mechanical breakdown, etc.), and must have technical experts and necessary back-up services available;
 - 4.8.2.6 Required to take charge when irregularities occur.

4.8.3 RANGE OFFICERS

- 4.8.3.1 Where Range Officers are appointed they shall be responsible to the Chief Range Officer for the following duties. Where no Range Officers are appointed the Chief Range Officer shall be responsible for:

- 4.8.3.2 Ensuring the safe conduct of the shoot and for interrupting shooting in the interests of safety at any time;
- 4.8.3.3 Ordering from the firing point any competitor whose equipment or behaviour constitutes a risk to safety;
- 4.8.3.4 Checking the names and identification numbers of competitors to ensure they correspond with the start list;
- 4.8.3.5 Ensuring any commands are obeyed;
- 4.8.3.6 The accurate recording of shots by Register Keepers, where these are employed;
- 4.8.3.7 Supervising the correct operation of the targets;
- 4.8.3.8 Receiving protests and passing them on to a Range Committee member;
- 4.8.3.9 Recording all disturbances, penalties, cross fires, extra time allowances, repeated shots, and other irregularities, on the report sheet.

4.8.4 **COMPETITION JURY**

- 4.8.4.1 A Jury should be appointed for Matches conducted to ISSF Rules.
- 4.8.4.2 Juries are responsible for advising, assisting and supervising the competition officials appointed by the Organising Committee.
- 4.8.4.3 Jury members must hold a current ISSF Judges' Licence.
- 4.8.4.4 For Jury duties refer to **ISSF Rule 6.8 COMPETITION JURY DUTIES AND FUNCTIONS**.

4.9 **DESIGNATED MATCHES**

- 4.9.1 Designated Matches are those matches used by TSNZ as selection matches for various international events. TSNZ in conjunction with NZSF will determine which matches will be Designated Matches. These will be listed on the TSNZ website. There are a limited number of matches which may be held annually.
- 4.9.2 Any shooter wanting to attend international competitions such as World Cups, World Championships, Oceania Championships, Commonwealth Shooting Championships, Commonwealth Games or Olympic Games will need to attend some, or all, of these Designated Matches.
- 4.9.3 Designated Matches must be run as close as possible to ISSF Rules.
- 4.9.4 Any Club or Association wanting to hold a Designated Match may apply to TSNZ and will need to demonstrate their ability to hold a championship to ISSF Rules. Allocation of the limited number of Designated Matches will be decided on merit.

4.10 **POSTAL COMPETITIONS**

- 4.10.1 Annual Postal Competitions shall be arranged by TSNZ. The relevant advertisements shall be forwarded to affiliated bodies not later than 30 April in each year.
- 4.10.2 The postal competitions shall include an Individual Championship.
- 4.10.3 The postal match format shall be set out in the annual advertisement and may be amended by the TSNZ Annual General Meeting.
- 4.10.4 Entries for Postal Competitions shall be made on the official TSNZ entry form and be accompanied by the required entry fee.
- 4.10.5 Entries for Postal Competitions shall not be accepted unless post marked prior to the advertised closing date.
- 4.10.6 TSNZ shall issue sufficient numbered targets or stickers for each competitor. Where stickers are issued one sticker is to be affixed behind each counting diagram.
- 4.10.7 All targets for each competition shall be shot on the same range subject to the special conditions laid down for the competition.
- 4.10.8 Completed targets shall be returned to the local Association-authorized marker for scoring, not later than the date specified. Directly Affiliated Clubs may either have targets scored by an Association-authorized marker, or return shot and witnessed targets to TSNZ for scoring.
- 4.10.9 Local Association-authorized markers shall score targets in accordance with the rules for scoring. The local Association shall provide certified gauges for scoring.
- 4.10.10 The local Association shall forward the scores to TSNZ and shall hold shot competition targets until the final results are published and circulated.
- 4.10.11 The local Association or Club shall ensure the correct score has been entered on the results form and forward the scores to the Executive Officer by the date specified in the annual advertisement and shall hold shot competition targets and electronic target scoring printouts until the final results are distributed. Shot targets and electronic target scoring printouts shall be forwarded to the Executive Officer on request. Any target received in a damaged condition where the value of the shot cannot be properly determined shall be declared invalid, and any score found to be incorrectly applied shall be amended. Should any target(s) or electronic scoring printout(s) be unavailable for checking by the Executive Officer, or examination of the target(s)/printout(s) reveal that the rules of the competition have not been followed, the

competitor shall be disqualified from the competition.

4.10.12 Results of the Postal Competitions shall be published by TSNZ and shall contain the scores of all competitors. Copies shall be sent to all Associations and competing Clubs.

4.10.13 Postal Competition trophies shall be forwarded to the winners, only if requested in writing. The TSNZ Executive shall require adequate guarantees for the return of all Postal Competition trophies in good order and condition.

4.10.14 **WITNESSES:**

4.10.14.1 A witness drawn from the following qualified people shall supervise the shooting of every Postal Competition target:

A member of the TSNZ Executive;

A person appointed or approved by the TSNZ Executive.

4.10.14.2 **DUTIES OF WITNESSES** - The duties of the witness shall be:

To be conversant with these Rules of Conduct and the conditions of the competition;

To be present on the range during the entire shoot;

To ensure the stickers are correctly affixed to each target before the targets are placed on the target frames and the competitors are shooting the correct targets;

To sign and date the first and last targets of a 60-shot series after it has been shot;

To promptly advise TSNZ of any infringements of the rules.

4.10.14.3 A Witness may not witness his/her own shoot in any competition.

4.10.14.4 TSNZ reserves the right to appoint a special witness.

4.10.14.5 Any Club having difficulty in obtaining a witness may apply to the local Association for assistance, and be prepared to pay reasonable out-of-pocket expenses, if required, to the person appointed.

4.11 NATIONAL CHAMPIONSHIP

4.11.1 A National Air Rifle Championship shall be conducted annually within the first three months of the calendar year, on a shoulder-to-shoulder basis.

4.11.2 The National Air Rifle Championship programme of events may be determined by the Host Association subject to Rule 4.11.3. Full details of the proposed programme of events must be provided to the TSNZ Executive not later than 30 October in the year prior to the event for their approval.

4.11.3 The National Air Rifle Championship programme of events:

i) **MUST** include:

Air Rifle National Championship	Men- 60 shots plus Final Junior Men – 60 shots
Air Rifle National Championship	Women – 60 shots plus Final Junior Women – 60 shots
Air Rifle National Championship	IPC Standing – 60 shots plus Final

ii) **MAY** include:

Air Rifle TSNZ	Women / Junior – 60 shots
Air Rifle TSNZ	Men / Junior – 60 shots
Air Rifle TSNZ	Open Prone – 60 shots plus Final

4.11.4 TSNZ Medals shall be awarded by TSNZ for the New Zealand Championship events at the National Air Rifle Championships according to the TSNZ Trophy Steward Guidelines.

4.11.5 Certificates shall be awarded by TSNZ to three placings in all TSNZ Graded events, provided each recipient has completed the course of fire.

4.11.6 TSNZ medals and certificates shall not be awarded where the competition is uncontested (i.e. where there is only one entrant).

4.12 MERIT BADGES

4.12.1 TSNZ will issue Merit Badges for competitors who reach the appropriate qualifying standard in any competitions specified in Rule 4.1.1.

The qualifying scores for Merit Badges are:

60 shot - Men / Junior Men / Women / Junior Women

Black	500.0 – 529.9
Orange	530.0 – 549.9
Yellow	550.0 – 569.9
Blue	570.0 – 584.9
Red	585.0 – 599.9
Green	600.0 – 614.9
Gold	615.0 – 654.0

4.12.2 The TSNZ Trophy Steward will issue Merit Badges to competitors supplying proof of attaining the required standard. The first badge issued to any competitor is free but subsequent badges will be issued in exchange for previously issued badge or on payment of a fee set by the TSNZ Executive.

**TARGET SHOOTING
NEW ZEALAND
INCORPORATED**



BENCHREST RULES

1 November 2023

TABLE OF CONTENTS

BENCHREST COMPETITION

SECTION 5 - RULES - BENCHREST COMPETITION	73
5.1 GENERAL.....	73
5.2 SAFETY.....	73
5.3 RANGE STANDARDS	74
5.4 RIFLES, AMMUNITION & EQUIPMENT STANDARDS	74
5.5 TARGET STANDARDS.....	75
5.6 PHYSICAL DISABILITY PROVISIONS	76
5.7 BENCHREST EVENT PROCEDURES	76
5.8 TARGET SCORING	77
5.9 COMPETITION OFFICIALS	79
SECTION 5 APPENDIX A – OUTDOOR BENCHREST TARGETS	81
SECTION 5 APPENDIX B – INDOOR BENCHREST TARGETS.....	83
SECTION 5 APPENDIX C – TSNZ APPROVED GAUGES.....	86

SECTION 5 - GUIDELINES - BENCHREST COMPETITION

These Guidelines cover the conduct and management of Indoor and Outdoor Benchrest Competition at National and local level.

5.1 GENERAL

- 5.1.1 These Guidelines shall apply to all TSNZ sanctioned Benchrest events including TSNZ Postal Championships, and Open Championship or Open Sweepstake events conducted by Associations and Directly Affiliated Clubs.
- 5.1.2 Competitors shall make themselves conversant with these guidelines and with the conditions of the competitions. Failure to comply with the guidelines, or engaging in any dishonest, discreditable or dangerous conduct at any competition sanctioned by TSNZ, shall render the competitor liable to such penalty as the Range Committee may decide. Subject to the discretion of the Range Committee, such conduct may also be reported to the TSNZ Executive, which may impose such other disciplinary action as it sees fit. Any competitor collaborating in such conduct may be liable to the same penalties. (See Rule 5.1.8 for appeals to TSNZ Executive)
- 5.1.3 Any competitor entering any competition under an assumed name or supplying incorrect information on the entry form shall be guilty of dishonest conduct and shall be dealt with by the Range Committee under the provisions of Rule 5.1.2. (See Rule 5.1.8 for appeals to TSNZ Executive)
- 5.1.4 Any system, practice, device or accessory which may give a competitor an advantage over others and which is not mentioned in these Rules, or which is contrary to the spirit of good sportsmanship, is prohibited.
- 5.1.5 Any order exhibited by the Range Committee at the point where entries are taken at any event shall be binding on all competitors. (See Rule 5.9.2.4)
- 5.1.6 Competitors must comply with the orders of the Range Officer but no competitor shall be disadvantaged through following any order given by a Range Officer.
- 5.1.7 All these Guidelines, and any orders issued in accordance with Rule 5.1.5, shall be subject to, and comply with, current NZ Firearms Legislation.
- 5.1.8 Any Member of TSNZ has the right to refer any matter, or appeal any local ruling, to the Executive of TSNZ, which shall be the final arbiter on disputes and matters of interest. These referrals or appeals shall be allowed by reasons of natural justice and interpretation of the intent of the TSNZ Benchrest Guidelines, and must be received by the TSNZ Executive within 28 days of the matter occurring or receipt of the local ruling.

5.1.9 DEFINITIONS OF COMPETITORS

First year competitor - one who has not been a shooting member of any rifle club of any calibre.

Junior - A competitor who is under the age of twenty-one years on the 31st December in the year of competition. Proof of age may be required.

Veteran - A competitor who is sixty years of age or over on the first day of the particular competition. Proof of age may be required.

5.1.10 ELIGIBILITY TO COMPETE

- 5.1.10.1 Subject to the special conditions of any competition, the following are eligible to compete in TSNZ sanctioned events:

In **Individual competitions** - any financial member of TSNZ;

In **Team competitions** - financial members of any rifle club affiliated to TSNZ. A competitor may represent more than one club during any year, but only in different competitions in that year;

In **Association competitions** - financial members of any Association affiliated to TSNZ. A competitor may represent more than one Association during any year, but only in different competitions in that year;

Overseas shooters may compete in any competition provided they are affiliated members of their National Association.

- 5.1.10.1 Unless otherwise specified in the conditions a Club or Association may enter any number of teams and take any number of prizes.

5.2 SAFETY

- 5.2.1 The safety of competitors, range officials and spectators require continued attention to safe firearms handling. Self-discipline is necessary on the part of all concerned. Where such discipline is lacking, it is the duty of Range Officials to enforce discipline, and the duty of all members of TSNZ to assist and encourage such enforcement.
- 5.2.2 The Range Committee is responsible for overall safety. The Range Committee may establish further safety rules considered necessary for any particular venue.
- The Range Officer is responsible for safety on the firing point and must ensure that the commands are obeyed and that all firearms are handled safely.
- 5.2.3 Any competitor who acts in an unsafe manner or fails to respond to the commands of the Range Officer, shall be required to stop firing immediately and the matter shall be reported to the Range Committee for consideration.

- 5.2.4 Any person who has consumed alcohol or other substance which may render him/her unsafe to handle firearms shall not participate in any shooting competition while under the influence of the alcohol or other substance.
- 5.2.5 At the commencement of each detail shooters may not get into position until the range has been cleared of personnel, and, if indoors, the red light has been turned off.
- 5.2.6 The actions of all rifles containing the bolt or lever action must remain open with a safety flag inserted at all times, except when on the firing point after the range officer has given instructions to remove safety flags and, if indoors, turned the red light off.
- 5.2.7 Rifles must only be loaded on the firing point with the rifle installed within the rest and bag/s after the command "SHOOTERS LOAD" or "SHOOTERS START" has been given.
- 5.2.8 A rifle is considered to be loaded when a live round is on the loading ramp or in the breech, regardless of whether the action is open or closed, and at any time when the action is closed.
- 5.2.9 When the command "SHOOTERS STOP" is given, all competitors must stop shooting immediately, unload their rifles and insert their safety flag. Shooting shall only resume when the command "SHOOTERS START" is given.
- 5.2.10 Should it be necessary for personnel to go forward of the firing line during the course of a detail (for instance to replace a target) the Range Officer shall give the cease fire command, and ensure that all rifles are unloaded and safety flags inserted before allowing personnel on the range.
- 5.2.11 At the end of the detail the Range Officer shall give the command "SHOOTERS, CLEAR ACTIONS, AND INSERT SAFETY FLAGS". Competitors shall respond by closing and opening the action and shall then insert a safety flag. The Range Officer shall verify that all actions are clear and safety flags are in before the rifles are taken from the firing point.
- 5.2.12 All competitors and other people in the immediate vicinity of the firing point must wear earplugs, earmuffs or similar hearing protection during live firing.

5.3 RANGE STANDARDS

- 5.3.1 All ranges must be inspected and certified by a Range Safety Inspector appointed by the TSNZ Executive. Re-inspection shall be required when substantial alterations or modifications are made to the range. For temporary ranges the Range Certificate shall specify the approved period of use. It is the responsibility of the affiliated body concerned to make application to TSNZ for any inspection.
 - 5.3.2 Any target system may be used, providing it guarantees the necessary degree of safety, and efficient changing of the targets.
 - 5.3.3 Where automatic target carriers or changers are used, the competitor may control target changing or may have an assistant change the targets. Responsibility for shooting on the correct target rests solely with the competitor.
 - 5.3.4 The Bench shall be a rigidly constructed table being of a height to permit a shooter of average height to sit comfortably, with a recommended height of 0.8 metres. Benches shall be available for left and right-handed shooters, either singly or as double-sided benches.
 - 5.3.5 The firing line shall be coincident with the forward edge of the bench, however if this is not possible then the firing line shall be clearly marked on the bench.
 - 5.3.6 Shooters may provide their own seat which may be adjustable to provide optimum height for the shooter.
- WIND FLAGS** - The Organizing Committee shall advise competitors in advance what arrangements will be in place for wind flags in Outdoor competitions. Once installed all wind flags should stay on the range for the remainder of the shooting day. Where possible personal wind flags should be allowed. Any personal wind flags may be placed on the range as desired however all flags on the range must be no higher than a straight line drawn between the bench tops and the bottom of the target card and must be retained within the competitor's shooting lane. The Range Officer has discretion to remove any wind flag that is interfering with another shooter.

5.4 RIFLES, AMMUNITION & EQUIPMENT STANDARDS

5.4.1 General

- 5.4.1.1 All specified equipment and accessories shall comply with the standards set out in these rules.
- 5.4.1.2 Any member of the Range Committee, or the Range Officer, may inspect any item of a competitor's equipment or accessories specified in these rules. Any item found to contravene these rules shall be barred from competition.

5.4.2 Rifles

- 5.4.2.1 Any rifle chambered for 5.6mm (.22 cal) long rifle rimfire cartridge is permitted provided it is of a type that can be singly loaded. A detachable magazine, if fitted, may be used but only as a loading platform for single shot loading.
- 5.4.2.2 The following specifications apply:
 - a. The width of the stock shall not exceed 3 inches (76.2mm) at any point and shall have a flat or convex fore-end.

- b. Any part of the stock in contact with the rear bag shall not exceed 30mm in width.
 - c. All rifles must have a manually or mechanically actuate firing mechanism with all components being within the rifle. A free trigger is permitted where this has been specifically provided for at the point of manufacture, or by the fitting of a custom trigger. An electric trigger is permitted provided its arming feature is manually operated. The use of pressure fluid or remote actuation is not permitted.
 - d. The weight of the rifle with all attachments used by the competitor shall not exceed 8 kilograms.
- 5.4.2.3 **Sporting Rifle for INDOOR BENCHREST only** – any mass produced .22LR sporting rifle weighing not more than 4.1kg inclusive of sights is permitted subject to the Range Committee approving the rifle for competition. The following specifications apply:
- a. The only modifications allowed are improvements in bedding of the action and adjustments to the original factory trigger.
 - b. The rifle must consist of the original action, barrel profile, barrel steel and stock, and may not contain any additions to aid accuracy.
 - c. Any questions of eligibility will be resolved in favour of the spirit of these Rules.
- 5.4.2.4 Any other safe .22LR rifle not qualifying under the above definitions 5.4.2.1 – 5.4.2.2 may be used however the competitor must be advised in advance that they are ineligible for any awards, prizes, records or classification.
- 5.4.2.5 Any device, addition, contour or dimension on any rifle designed to co-act with any equipment to guide its return to the firing position without the necessity to re-aim the rifle optically for each shot shall be deemed illegal.
- 5.4.2.6 The use of a muzzle brake or compensator is prohibited.
- 5.4.3 **Scopes**
- 5.4.3.1 Unlimited.
- 5.4.4 **Rests**
- 5.4.4.1 Rifles shall be fired from placement on a front rest and rear rest. The rifle must be able to be lifted freely from the rests in a vertical direction with all attachments in place.
- 5.4.4.2 The front rest may be a sandbag or a rigid rest which may be supported on a pedestal but in either case shall not co-act with any rear sandbag(s) to restrain recoil or form a guiding means.
- 5.4.4.3 The rear rest shall be a sandbag which supports the rifle between the rear of the pistol grip and the toe of the butt stock.
- 5.4.4.4 Any sandbags used shall be without additions and containing sand only (heavy metallic based sand is permitted). The bags must be at least 12.7mm thick over their entire surface. No metallic materials or tape may be used in the construction of the sandbags.
- 5.4.4.5 The rear sandbag may incorporate a vertical spacer as long as this does not contain horizontal or vertical adjustments or contain any protrusions which can be inserted into the bench top or the sandbag.
- 5.4.5 **Ammunition**
- 5.4.5.1 Rimfire 5.6mm (.22LR cal) only is permitted.
- 5.4.5.2 Only solid projectiles made of lead or soft lead alloy material are permitted. Hollow nose, ballistic tip or similar projectiles are prohibited.
- 5.5 TARGET STANDARDS**
- 5.5.1 Paper targets approved by TSNZ for Benchrest competition shall comply with Specifications in Section 5, APPENDIX A and B.
- 5.5.2 The type and number of targets to be used shall be determined by the Organizing Committee and shall be advised in entry information and to all shooters prior to the start of the match.
- 5.5.3 One shot per scoring diagram shall be placed on the target apart from on the “sighter” diagrams which shall be unlimited.
- 5.5.4 **The TSNZ approved target shall be:**
- 5.5.4.1 For OUTDOOR Benchrest (APPENDIX A) – either of:
- a. Official WBSF International Rimfire Target - 25 counting shot diagrams per target
 - b. TSNZ 50m Rimfire Benchrest Target - 20 counting shot diagrams per target.
 - c. TSNZ 50 m Fanfold Benchrest Target – 10 counting shot diagrams per target.

5.5.4.2 For INDOOR Benchrest (APPENDIX B) – either of:

- a. TSNZ 25yd Indoor Benchrest Target
- b. TSNZ 20yd Indoor Benchrest Target

5.6 PHYSICAL DISABILITY PROVISIONS

5.6.1 The Range Officer may authorize another person to act for any competitor who due to physical disability is unable to load or adjust the sights.

5.6.2 Any competitor who by reason of physical handicap cannot adjust a rifle in the manner required by these Rules may be granted a dispensation by TSNZ.

5.6.3 Dispensations granted under this Section shall continue for not more than five years. Applications for renewal of a dispensation shall be made not less than three months prior to the expiry date of the dispensation in accordance with Rule 5.5.4.5.

5.6.4 Where a surgical procedure or other treatment is undertaken prior to the date of renewal to correct or modify a physical disability for which a dispensation has been granted, the dispensation shall be void and a further application must be made if required.

5.6.5 Applications for dispensations shall be made to the Executive of TSNZ through the local Association and be accompanied by evidence sufficient to prove the dispensation is necessary to allow the applicant to participate in the sport to the best of his/her ability. Medical certificates shall be considered the minimum evidence to be submitted.

5.7 BENCHREST EVENT PROCEDURES

5.7.1 SQUADDING

5.7.1.1 Any squadding method used must ensure a fair and even distribution of benches and match times.

5.7.1.2 For Outdoor Competitions:

- a. A bench rotation system for squadding is mandatory in a Benchrest-only event and preferable in a Benchrest-Prone combined event. Should a rotation system be used it is preferable that two-bench rotation be used so as to limit the number of personal wind flags required. The Organizing Committee is required to advise competitors in advance of the event if a bench rotation squadding method will be used.
- b. Where the Event is conducted in a single day at least one of the targets must be shot in an afternoon squad.
- c. Where the Event is conducted over several days a maximum of two 25-shot targets or two 20-shot targets may be completed on any one day, with one being shot in a morning squad and one in an afternoon squad on any one day.

5.7.1.3 Where pre-squadding applies allocation of position on the firing line will be drawn by ballot immediately following the Closing Date for entries on the following basis:

- a. For Individual competition the ballot will be for an even spread of shooters amongst Benches and Details. Allowance may be made for pairing or equipment sharing provided such is advised at time of entry and the range and competition times make this possible.
- b. For Team competitions the teams must be spread evenly across benches and details. It is the Team Leader's responsibility to advise the Organizing Committee of their team's individual shooting order at the time of entry, and if no such advice is forthcoming the Organizing Committee will undertake allocation at their discretion. Any shooter(s) not involved with a team will be allocated places at the discretion of the Organizing Committee.

5.7.2 MALFUNCTIONS

5.7.2.1 In the event of rifle failure resulting in the rifle becoming inoperable during competition, the rifle may be replaced to enable completion of the target, however no additional time will be granted. Such action must be undertaken with the guidance of the Range Officer.

5.7.2.2 If a rifle is in an unsafe condition it must remain on the bench until removal is authorized by the Range Officer.

Should a target be dislodged during firing the Range Officer will note the time and that competitor will cease shooting with the rest of shooters continuing uninterrupted. At the completion of the match and once the target is fixed that competitor will be allowed an additional five (2) minutes added to their remaining competition time in which to complete the match prior to any shooter proceeding with further details.

5.7.3 **PRACTICE SHOOTING**

5.7.3.1 Practice shooting shall be allowed where circumstances permit but for OUTDOOR competitions shall not be allowed before the start of competition on a competition day. This does not exclude the opportunity to sight the rifle ready for competition.

5.7.4 **COACHING**

5.7.4.1 Coaching, where a competitor receives advice or instructions, may be carried out subject to the following conditions:
- may be conducted from the rear of the firing point only.

5.7.4.2 Competitors may leave the firing point at any time but shall not disturb any other competitor and shall not remove any equipment or firearm until the command "SHOOTERS CLEAR ACTIONS AND INSERT SAFETY FLAGS", has been given and observed.

5.7.4.3 A competitor wishing to speak to another person must leave the firing point. This must be done with the approval of the Range Officer, without disturbing any other competitor and after unloading and leaving the firearm on the bench in a safe condition.

Team officials must not contact competitors directly or talk with them while they are on the firing point. A team official wishing to speak to a team member on the firing point must first obtain permission of the Range Officer who will arrange for the member to leave the firing point.

5.7.5 **APPROVED OUTDOOR BENCHREST COMPETITIONS** shall be:

5.7.5.1 Individual Matches (including Postal) – either three 25-shot targets or two 2 x 20-shot targets, which may be shot on separate days.

5.7.5.2 Individual Aggregate Matches – Individual Match as above PLUS pre-specified 50m Prone Scores held at the same Event.

5.7.5.3 Teams Matches – Inter-Provincial, Regional or International – as agreed by the relevant Organizing Committee and approved in advance by TSNZ.

5.7.5.4 **SHOOTING TIMES**

The time allowed in approved OUTDOOR BENCHREST competition is:

- a. 30 minutes including unlimited sighting shots for 25-shot International targets
- b. 45 minutes including unlimited sighting shots for 2 x 20-shot TSNZ targets when used in a target machine.

5.7.6 **APPROVED INDOOR BENCHREST COMPETITIONS** shall be:

5.7.6.1 Individual Matches (including Postal) – either 10-shot or 20-shot matches - as advised to all competitors at time of entry

5.7.6.2 Teams Matches – Inter-Provincial, Regional or International – as agreed by the relevant Organizing Committee and approved in advance by TSNZ.

5.7.6.3 **SHOOTING TIMES**

The time allowed in approved INDOOR BENCHREST competition is:

- a. 12 minutes including unlimited sighting shots for 10-shot match.
- b. 22 minutes including unlimited sighting shots for 20-shot match.

5.8 **TARGET SCORING**

5.8.1 Scoring shall be carried out by two persons appointed by the local Association for Postal Competitions, or the Organizing Committee for other competitions, one of whom shall mark and the other who shall check-mark.

5.8.2 Check-marking shall include confirming the value of any shot that is tested before the gauge is removed and confirming the total score of the target.

5.8.3 Shots that are in dispute must be determined as to value (tested) by means of a TSNZ-approved plug gauge (for OUTDOOR) and wide flange gauge (for INDOOR). The dimensions of the gauges for scoring doubtful shots shall be as specified in Section 5 APPENDIX C.

5.8.4 A gauge may be inserted only once in any bullet hole. When a gauge is inserted in a shot hole to determine the value of a shot the gauge shall not be removed from the target until the shot value is checked by a check-scorer and the value finally determined.

5.8.5 Where a gauge has been inserted in a bullet hole the result of the testing is to be indicated with an 'I' if the shot is 'in' or 'O' if the shot is 'out'. The scorer will indicate the value of the shot beside the diagram in Arabic numerals, including inner count as .0 or .1 where this is being tested for.

5.8.6 When a gauge has been inserted and the check-scorer does not agree on the value of the shot given by the scorer, a decision from a second check-scorer shall be obtained. The second check-scorer shall note it as to whether the shot was determined to be 'in' with an 'I' or 'out' with an 'O', note the score attributed to the shot and initial the target. Such decision shall be final.

5.8.7 Hits outside the scoring rings of the shooter's own target are scored as misses.

5.8.8 **OUTDOOR SCORING**

5.8.8.1 For OUTDOOR targets specified in Rule 5.5 the value of the shot shall be decided by the edge of the shot hole **closest to the centre of the target (inward gauging)**.

5.8.8.2 All shots are scored according to the highest value of the inner-most target-scoring ring that is touched by that bullet hole with no gap. A shot which touches the inner ring will be awarded a 10.1 (inner) score.

5.8.8.3 For tested shots, when the edge of the plug gauge touches any part of the outside of a scoring ring the shot must be scored at the higher value.

5.8.9 **INDOOR SCORING**

5.8.9.1 For INDOOR targets specified in Rule 5.5 the value of the shot shall be decided by the edge of the shot hole **furthest from the centre of the target (outward gauging)**.

5.8.9.2 All shots are scored according to the value of the outward-most target-scoring ring that is covered by that bullet hole with no gap. A shot which touches the inner dot will be awarded a 10.1 (inner) score.

5.8.9.3 For tested shots, when the edge of the gauge touches any part of the white outside of a scoring ring the shot must be scored at the lower value.

5.8.10 **TIE BREAKING**

5.8.10.1 The inner (.1) count will be the primary method of breaking a tie. If more than one shooter has the same score including inners, a tie will be recorded.

5.8.10.2 For events requiring a single winner the tie will be broken by:

a. highest scoring single target – 1st, 2nd then 3rd highest scoring single target as required. If after 3 targets the tie is still unbroken then

b. countback starting at the last target (i.e., #10 for a 10-shot match, #20 for a 20-shot match, # 25 for a 25-shot match, # 40 for a 2 x 20-shot match).

5.8.11 **SCORING PENALTIES**

The following scoring penalties and irregularities shall apply at all competitions:

5.8.11.1 **EARLY OR LATE FIRING**

Any competitor who fires before the "Start" command or after the "Stop" command shall be disqualified from the match and record no score.

5.8.11.2 **FIRST SHOT ERROR**

If the first shot on paper unintentionally hits a scoring face the Range Officer must be informed before the second shot is fired. The Range Officer must visually check the target, identify the shot and indicate it on the target when this is recovered after the match. No penalty will be incurred.

If the Range Officer is not notified before the second shot is fired then the first shot will be marked as a counting shot.

5.8.11.3 **TOO MANY SHOTS ON TARGET**

If a target has more than the number of shots required for the competition then, for each excess shot, one of the highest scoring shots shall be discounted and a penalty of two (2) points for each excess shot shall be imposed. If it can be verified that the excess shot(s) were fired by another competitor, the provisions of Rule 5.7.8.4 shall apply.

5.8.11.4 **OVERLOADS ON OWN TARGET**

Where a competitor places more than one shot on any counting diagram but fires not more than the total number of counting shots specified for the competition, full credit shall be given for each shot that can be distinctly seen. A penalty of one (1) point for each excess shot on any particular target shall be imposed.

5.8.11.5 **CROSSFIRES**

Any competitor who fires on a target other than their allocated target shall be penalized two (2) points for each shot cross-fired.

Where the actual firer of the scoring shot(s) cannot be determined on a target which has been cross-fired on, then the competitor receiving the shot shall be credited with the higher value shot. If the actual firer of the shot(s) on the cross-fired target can be determined, then each competitor shall be credited with the value of the shot(s) fired.

5.8.12 **PROTEST PROCEDURES**

5.8.12.1 A competitor shall have the right to have any target re-checked in order to have obvious errors corrected or doubtful shots tested. Shots that have already been tested shall not be retested.

5.8.12.2 Competitors are responsible for ensuring their scores are correctly noted by the statistical office and may challenge an incorrectly recorded score.

5.8.12.3 No protests for incorrectly marked, recorded or missing scores shall be entertained more than 10 minutes after the posting of final match scores.

5.9 **COMPETITION OFFICIALS**

5.9.1 **ORGANISING COMMITTEE**

5.9.1.1 The Organizing Committee shall be responsible for planning, organization, publicity and entries prior to the event, including ensuring full and correct information is provided to all entrants,

5.9.2 **RANGE COMMITTEE**

5.9.2.1 Rifle events shall be under the general control of a Range Committee that shall consist of at least three people. The Range Committee shall arbitrate on any matter arising during the meeting. The Committee's decisions shall be final but subject to the appeal provisions of Rule 5.1.8.

5.9.2.2 At the National Outdoor Championships, the Range Committee's decisions may be appealed to an Appeal Committee, composed of three members, whose decisions shall be binding but subject to the appeal provisions of Rule 5.1.8. No member of the Range Committee who was involved in the original decision may be a member of the Appeal Committee.

5.9.2.3 The Range Committee shall verify the competence of the officials under its control to apply these Rules.

5.9.2.4 In all matters the Range Committee shall have regard to the ethics of good sportsmanship and the intent of these Rules, which is to provide fair and equitable conditions to all competitors, as far as is practicable.

5.9.2.5 Competitors shall not be present at any Range Committee meeting when matters concerning them are being discussed. A competitor shall have the right, if so desired, to state a case to the Committee at some period during the proceedings before a decision is made. Where teams are concerned the team captains or managers are entitled to state a case prior to the conclusion of the Range Committee's deliberations.

5.9.3 **CHIEF RANGE OFFICER**

5.9.3.1 A Chief Range Officer must be appointed for each range whether other Range Officers are appointed or not. A Chief Range Officer shall hold a current Firearms License and be:

5.9.3.2 Responsible to the Range Committee for the conduct of the competition and must co-operate with members of the Range Committee at all times;

5.9.3.3 Responsible for ensuring that unlicensed competitors on the firing point are adequately supervised by the holder of an appropriate Firearms License, as required by the Arms Act 1983, and subsequent amendments;

5.9.3.4 In charge of all range personnel and is responsible for their correct conduct;

5.9.3.5 Responsible for arranging the measures to be taken for the rapid correction of any technical fault that may occur (e.g., power failure, mechanical breakdown, etc.), and must have technical experts and necessary back up services available;

5.9.3.6 Required to take charge when irregularities occur.

5.9.4 **RANGE OFFICERS**

5.9.4.1 Where Range Officers are appointed, they shall be responsible to the Chief Range Officer for the following duties. Where no Range Officers are appointed the Chief Range Officer shall be responsible for:

5.9.4.2 Ensuring the safe conduct of the shoot and for interrupting shooting in the interests of safety at any time;

5.9.4.3 Ordering from the firing point any competitor whose equipment or behavior constitutes a risk to safety;

5.9.4.4 Checking the names and identification numbers of competitors to ensure they correspond with the start list;

5.9.4.5 Ensuring any commands are obeyed;

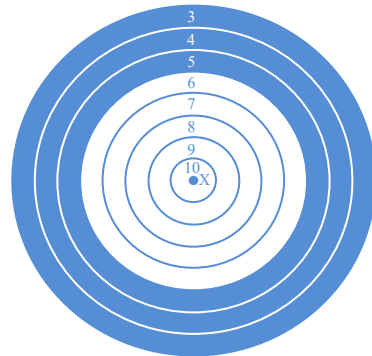
- 5.9.4.6 The accurate recording of shots by Register Keepers, where these are employed;
 - 5.9.4.7 Supervising the correct operation of the targets;
 - 5.9.4.8 Receiving protests and passing them on to a Range Committee member;
 - 5.9.4.9 Recording all disturbances, penalties, cross fires, extra time allowances, repeated shots, and other irregularities, on the report sheet.
- 5.9.5 **LIAISON OFFICER – required for National Events**
- 5.9.5.1 The Liaison Officer shall be appointed by the TSNZ Executive, shall be conversant with the Rules and regulations of TSNZ and shall be available to the Organizing Committee for consultation before the event and to the Range Committee during the event.
 - 5.9.5.2 The Liaison Officer shall be empowered to inspect the following: the range before and during the competition, the setting up and retrieval of targets, the marking and recording of scores, and the area available to competitors for their equipment.
 - 5.9.5.3 The Liaison Officer shall be empowered to mediate on any dispute arising during the running of the event and must be involved in all disputes on any of the areas listed in Rule 5.9.4.2.
 - 5.9.5.4 In the settling of any dispute the Liaison Officer shall:
 - a. have regard to the Rules of Competition, their intent, and the recognized code of good sportsmanship;
 - b. ensure only those persons directly concerned with any dispute are involved in deliberations;
 - c. have the ability to call upon any of the following to assist in the resolution: Team Managers, Range Officers, Range Committee, Markers, the principal Event Organizer, Members of the TSNZ Executive, and/or any other person whose specialized expertise the Liaison Officer considers necessary.

SECTION 5 APPENDIX A – OUTDOOR BENCHREST TARGETS

a) Official WBSF International Rimfire Target – 25 counting shot diagrams per target

i. Specifications:

- | | |
|-------------------|-----------------|
| Centre Dot | - 1mm diameter |
| 10 Ring | - 6mm diameter |
| 9 Ring | - 12mm diameter |
| 8 Ring | - 18mm diameter |
| 7 Ring | - 24mm diameter |
| 6 Ring | - 30mm diameter |
| 5 Ring | - 36mm diameter |
| 4 Ring | - 42mm diameter |
| 3 Ring/Outer Edge | - 48mm diameter |



Colour: may be printed in Blue or Black

ii. Layout

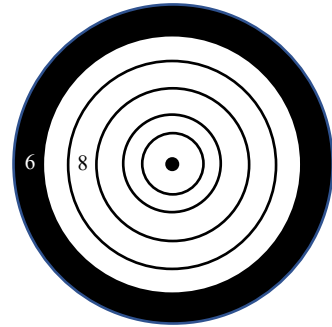
OFFICIAL WBSF INTERNATIONAL RIMFIRE TARGET

COMPETITOR: _____ BENCH: _____ DETAIL: _____ RELAY: _____ SCORE: _____

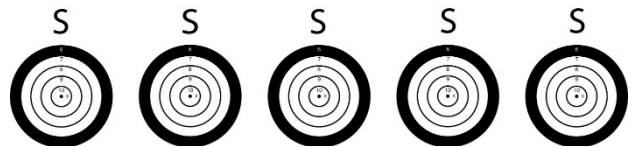
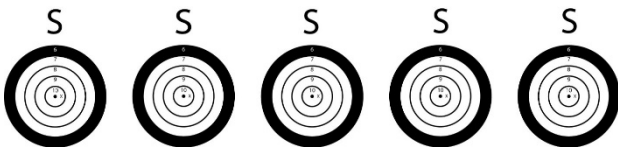
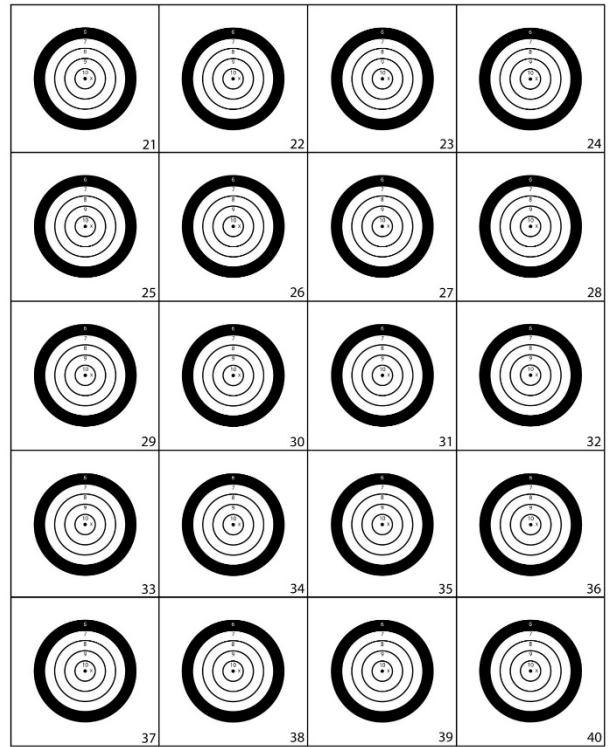
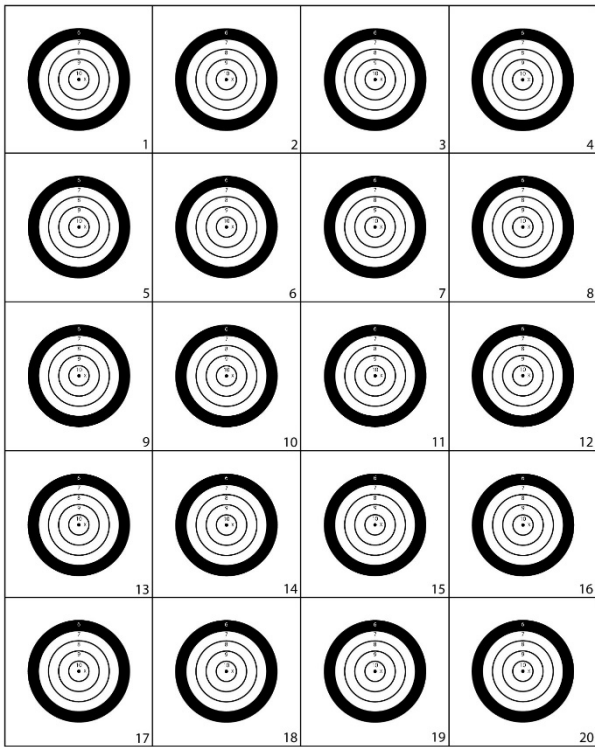
b) TSNZ 50m Rimfire Benchrest Target - 20 counting shot diagrams per target (for 2x20-shot matches)

i. Specifications:

- Centre Dot – 1mm diameter
- 10 Ring – 6mm diameter
- 9 Ring – 12mm diameter
- 8 Ring – 18mm diameter
- 7 Ring – 24mm diameter
- 6 Ring / Outer Edge – 30mm diameter



ii. Layout



C) TSNZ 50m Rimfire Benchrest Target - 10 counting shot diagrams per target (for use on Fanfold targets)

i. Specifications

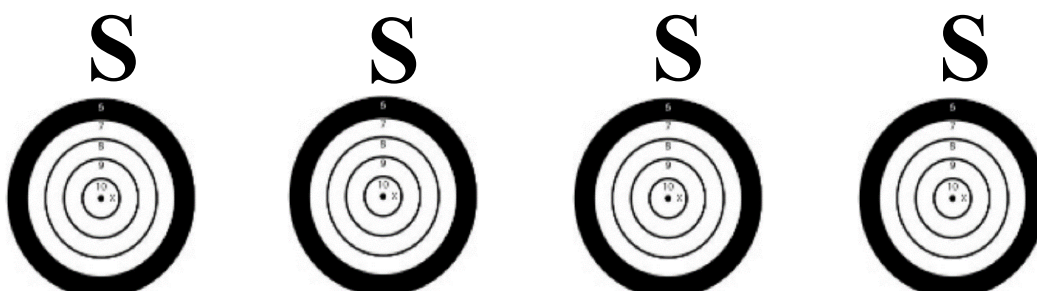
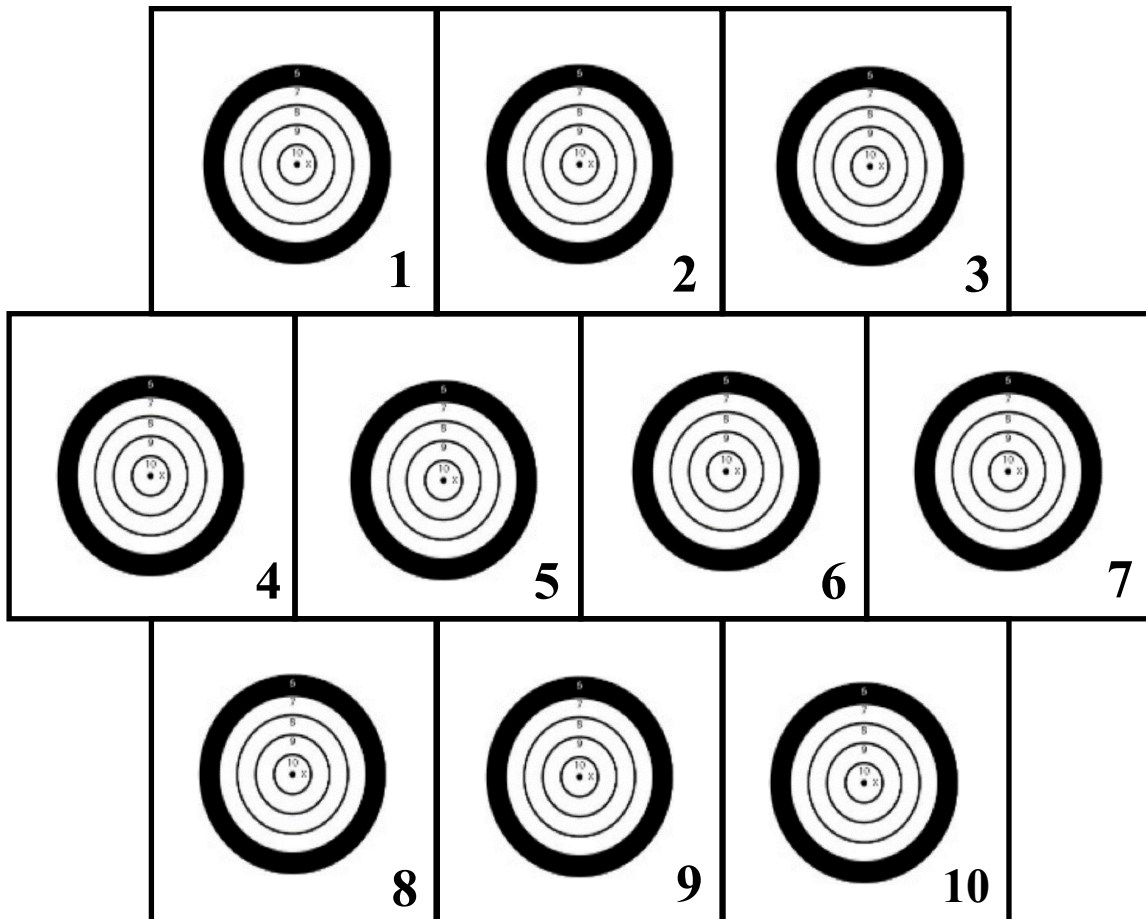


Outside of 6 Ring is 30mm Dia
Outside of 7 Ring is 24mm Dia
Outside of 8 ring is 18 mm Dia
Outside of 9 Ring is 12mm Dia
Outside of 10 Ring is 6mm Dia
Dot is 1mm Dia

Line width
0.25mm

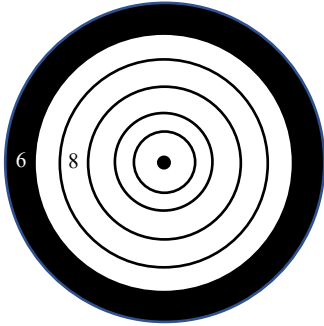
All printing is black

ii. Layout



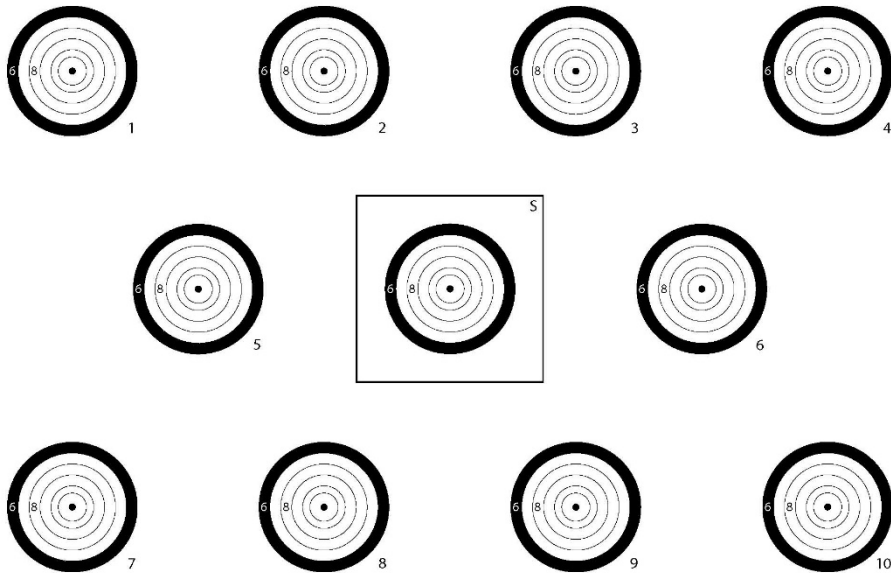
SECTION 5 APPENDIX B – INDOOR BENCHREST TARGETS

a. Specifications of 25-yard and 20-yard INDOOR BENCHREST TARGET DIAGRAMS



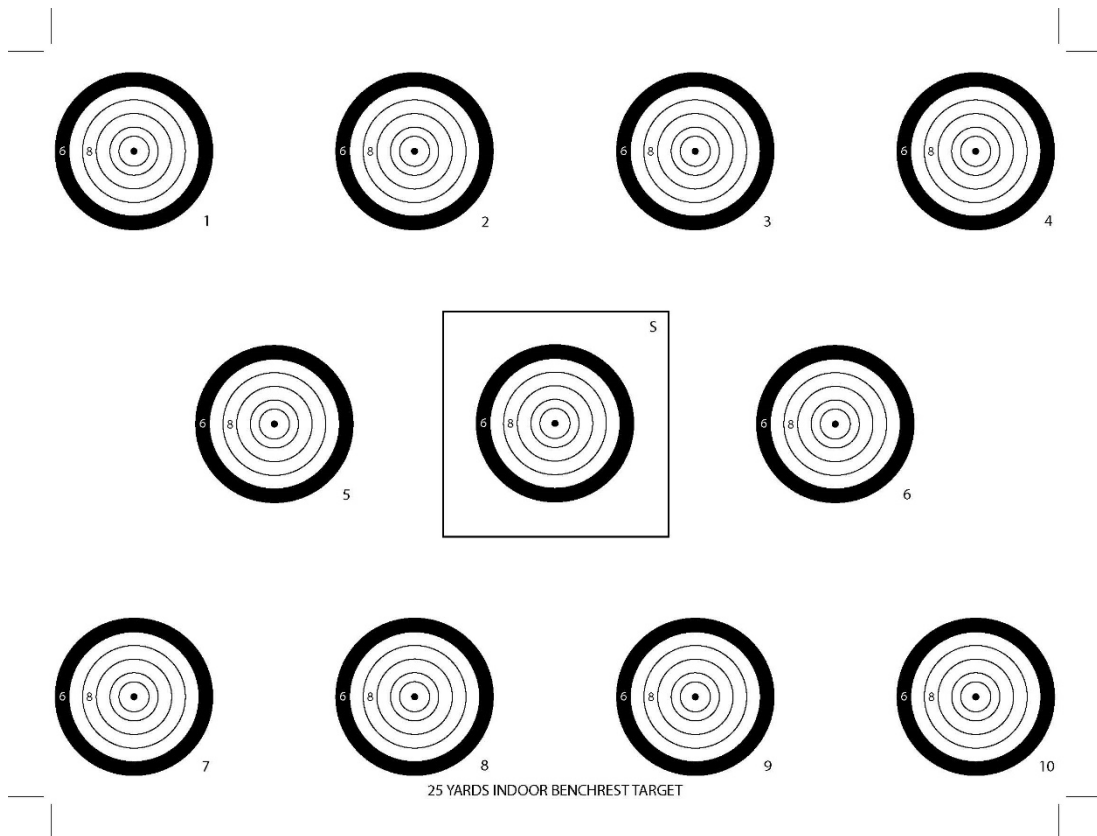
	25 yards Diameter (mm)	20 yards Diameter (mm)	Tolerance
Centre Dot	2.40	1.50	±0.05mm
Inner Gauging Ring	8.06	7.57	±0.05mm
10 Ring	12.92	11.45	±0.05mm
9 Ring	20.23	17.30	±0.10mm
8 Ring	27.55	23.16	±0.10mm
7 Ring	34.89	29.01	±0.10mm
6 Ring	42.18	34.86	±0.20mm
Line thickness	0.20mm	0.16mm	

b. Layout of 20-yard INDOOR BENCHREST TARGET



20 YARDS INDOOR BENCHREST TARGET

c. Layout of 25-yard INDOOR BENCHREST TARGET



The attached layout is to fit the same size fan fold paper as the “TSNZ 50m Target 2021”.

The label line along the bottom will be “TSNZ 50m Benchrest Target 2022”. Looks to be about 5mm from bottom of page. Use same font size.

The numbers 1 to 10 should be tucked close to the bottom RH of the squares.

The numbers inside the rings are to fit within the rings. Can be small as they are only used when marking the targets, Yes, there is a “x” to the right of the dot in the middle.

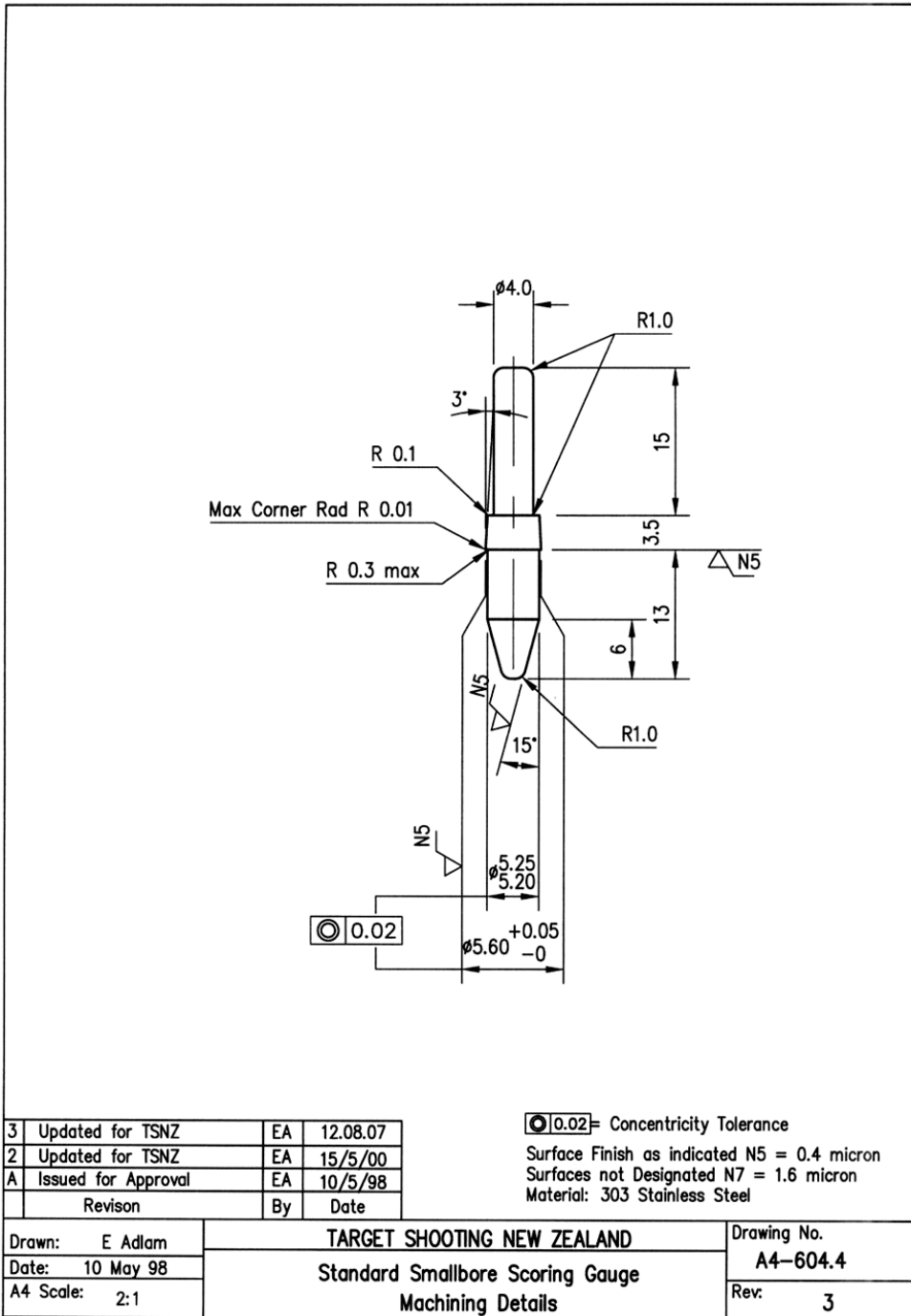
The top edge of the black ring of the targets 8, 9, 10 is the centre of the layout and should be in the middle of the page. i.e. 140mm from top.

The squares are 45mm square.

I have checked the layout as provided and the positions of the targets and spacing will fit the page adequately.

SECTION 5 APPENDIX C – TSNZ APPROVED GAUGES

a. TSNZ-approved Plug Gauge – for use on OUTDOOR targets



b. TSNZ-approved Wide Flange Gauge – for use on INDOOR targets

