

**TARGET SHOOTING
NEW ZEALAND
INCORPORATED**



**RULES OF CONDUCT
INDOOR COMPETITION**

1 November 2023

TABLE OF CONTENTS

INDOOR COMPETITION

SECTION 2 - RULES OF CONDUCT - INDOOR COMPETITION	25
2.1 GENERAL	25
2.2 SAFETY	25
2.3 RANGE STANDARDS	26
2.4 EQUIPMENT AND CLOTHING STANDARDS	26
2.5 TARGET STANDARDS	27
2.6 SHOOTING POSITION	28
2.7 PHYSICAL DISABILITY PROVISIONS	28
2.8 SCORING PROCEDURES	28
2.9 GRADING OF MEMBERS	31
2.10 COMPETITION OFFICIALS	31
2.11 COMPETITION CONDITIONS	32
2.12 POSTAL COMPETITIONS	34
2.13 INTER-ISLAND COMPETITION	35
2.14 INTERNATIONAL MATCHES	38
SECTION 2 APPENDIX A - BUTTPLATE AND HOOK	39
SECTION 2 APPENDIX B - TSNZ LIAISON OFFICER.....	40
SECTION 2 APPENDIX C - SCORING GAUGE FOR INDOOR TARGETS	41
SECTION 2 APPENDIX D - NATIONAL INDOOR CHAMPIONSHIP	42
SECTION 2 APPENDIX E - NATIONAL DISTRICT CHAMPIONSHIP.....	42
SECTION 2 APPENDIX F - INDOOR TARGETS SPECIFICATION – 2012	43
SECTION 2 APPENDIX G - ELECTRONIC TARGETS.....	44

Section 2 - RULES OF CONDUCT - INDOOR COMPETITION

These Rules cover the conduct and management of Indoor Competition at National and local level.

2.1 GENERAL

- 2.1.1 These Rules shall apply to all TSNZ sanctioned events, TSNZ Postal Championships, and Open Championship or Open Sweepstake events conducted by Associations and Directly Affiliated Clubs.
- 2.1.2 Any system, practice, device or accessory which may give a shooter an advantage over others and which is not mentioned in these Rules, or which is contrary to the spirit of good sportsmanship, is prohibited.
- 2.1.3 Any order exhibited by the Range Committee at the entry point of any event shall be binding on all competitors (see Rule 2.10.1.4).
- 2.1.4 These Rules, and any orders issued in accordance with Rule 2.1.3, shall be subject to and comply with, current NZ Firearms Legislation.
- 2.1.5 Any Member of TSNZ has the right to refer any matter, or appeal any local ruling, to the TSNZ Executive, which shall be the final arbiter on disputes and matters of interest. These referrals or appeals will be considered by reasons of natural justice and interpretation of the intent of the TSNZ Indoor Rules, and must be received by the TSNZ Executive within 28 days of the matter occurring or receipt of the local ruling.
- 2.1.6 **Definitions of Competitors:**
- First-year competitor** - one who has not been a shooting member of any rifle Club of any calibre.
- Junior** - A competitor who is under the age of twenty-one years on the 31st December in the year of competition. Proof of age may be required.
- Veteran** - A competitor who is sixty years of age or over on the first day of the particular competition. Proof of age may be required.

2.2 SAFETY

- 2.2.1 The safety of competitors, range officials, and spectators requires continued attention to safe firearms handling. Self-discipline is necessary on the part of all concerned. Where such discipline is lacking, it is the duty of range officials to enforce discipline, and the duty of all members of TSNZ to assist and encourage such enforcement.
- 2.2.2 The Range Committee is responsible for overall safety. The Range Committee may establish further safety rules considered necessary for any particular venue.
- 2.2.3 The Range Officer is responsible for safety on the firing point and must ensure that the commands are obeyed and that all firearms are handled safely.
- 2.2.4 Any competitor who acts in an unsafe manner or fails to respond to the commands of the Range Officer, shall be required to stop firing immediately and the matter shall be reported to the Range Committee for consideration.
- 2.2.5 Any person who has consumed alcohol or other substance which may render him/her unsafe to handle firearms, shall not participate in any shooting competition while under the influence of the alcohol or other substance.
- 2.2.6 The actions of all rifles containing the bolt or lever action must remain open with a safety flag inserted at all times, except when on the firing point and until after the Range Officer has turned the red light off and given instructions to remove safety flags.
- 2.2.7 At the commencement of each detail shooters may not get into position until the range has been cleared of personnel, and the red light has been turned off.
- 2.2.8 Rifles must only be loaded on the firing point with the muzzle pointing forward of the firing line after the appropriate instruction has been given by the Range Officer.
- 2.2.9 Should it be necessary for personnel to go forward of the firing line during the course of a detail (for instance to replace a target), the range officer shall give the cease fire command, and ensure that all rifles are unloaded, with butts on the ground, and safety flags inserted, and the red light turned on before allowing personnel on the range.
- 2.2.10 A rifle is considered to be loaded when a live round is on the loading ramp or in the breech, regardless of whether the action is open or closed, and at any time when the action is closed.
- 2.2.11 The final locking of the action shall not take place until the butt of the rifle is in contact with the competitor's shoulder and the muzzle is pointed in a safe direction towards the target(s).
- 2.2.12 Upon the command "SHOOTERS, STOP AND UNLOAD" competitors must stop shooting immediately, unload their rifles and, with the action open, lower the butts to the ground.
- 2.2.13 At the end of the detail the Range Officer shall give the command "SHOOTERS, CHECK THAT YOUR ACTIONS ARE CLEAR AND SAFETY FLAGS ARE INSERTED". The Range Officer shall verify that all actions are clear and safety flags are in before the rifles are taken from the firing point.
- 2.2.14 Should personnel be required to move forward of the firing line the red light shall be turned on, rifles shall be unloaded with the actions open, safety flags inserted, and the butts placed on the ground.
- 2.2.15 All competitors, officials and other people in the immediate vicinity of the firing point must wear earplugs, earmuffs or similar hearing protection during live firing.

2.3 RANGE STANDARDS

- 2.3.1 Ranges must have a line of targets and a firing line parallel to the target line. The firing line shall be clearly marked with a line with a maximum width of 25mm. The firing points are located behind the firing line and must be numbered to correspond with the targets.
- 2.3.2 Ranges may be of either 18.288 meters (20 yards) or 22.860 meters (25 yards) +/-50mm (2 inches). The length of the range is to be determined by measurement of the shortest distance between the forward edge of the firing line and the face of the targets.
- 2.3.3 The firing point shall preferably be flat. If sloped, any slope shall be towards the rear and the grade not more than 87mm in each 2 meters.
- 2.3.4 The firing point may be equipped with permanent padding not exceeding 25mm thick uncompressed.
- 2.3.5 The range shall be constructed with suitable protection that, under all normal conditions, will prevent any projectile from exiting the range perimeter.
- 2.3.6 All ranges shall have provision for the firing of warming shots while the competitor is on the firing point and in accord with Rule 2.2.8.
- 2.3.7 All ranges, both permanent and temporary, must be inspected and certified according to the current requirements of the Firearms Safety Authority. Shooting range operators shall supply a copy of the Range Certificate to the TSNZ Executive Officer within 1 month of receipt.
- 2.3.8 Regulations relating to range certification and range inspections are available from the Firearms Safety Authority. Information on the construction of new and temporary ranges is available in the current version of the NZ Police Shooting Range Manual, and additional information on range construction, target heights, lighting, and ventilation is available from the TSNZ Executive Officer.
- 2.3.9 All ranges shall be equipped with a red safety light, controlled by the Range Officer, which is easily visible to all shooters on the firing point.
- 2.3.10 Range Certificates, a list of Range Safety Inspectors, and recommendations on range construction, target heights, lighting and ventilation are available from the TSNZ Executive Officer.
- 2.3.11 **Lighting:** All ranges must have artificial illumination providing the necessary amount of light without glare or distracting shadows on the targets or firing points. The entire area must be evenly illuminated with not less than recommended minimum 300 lux.
- 2.3.11.1 Targets must be illuminated evenly with not less than 1000 lux. The background area behind the targets must be a non-reflecting, medium, neutral colour. If fluorescent lights are used, multiple tubes working "out of phase" must be provided.
- 2.3.11.2 Measuring of the target illumination (minimum of 1000 lux) must be done with the measuring device held at the level of the target and pointed towards the firing point.
- 2.3.11.3 Measuring general range illumination (minimum 300 lux) must be done with the measuring device held at the firing point and midway between the firing point and the target line, with the device directed towards the ceiling illumination.

2.4 EQUIPMENT AND CLOTHING STANDARDS

2.4.1 General

- 2.4.1.1 All specified equipment, apparel and accessories shall comply with the standards set out in these rules.
- 2.4.1.2 Any member of the Range Committee, or the Range Officer, may inspect any item of a competitor's equipment, apparel or accessories specified in these rules. Any item found to contravene these rules shall be barred from competition.

2.4.2 Rifles

- 2.4.2.1 Any rifle chambered for 5.6mm (.22 cal.) long rifle rimfire cartridges is permitted, provided it is of a type that can be loaded singly. A magazine, if fitted, may not be used.
- 2.4.2.2 A free trigger is permitted where this has been specifically provided for at the point of manufacture, or by the fitting of a custom trigger. Any rifle unable to withstand the normal handling and operation associated with the sport without any risk of accidental discharge must be barred from use until judged safe by the Range Committee.
- 2.4.2.3 The use of a butt plate and butt hook conforming to the standards set out in Section 2 APPENDIX A is permitted.
- 2.4.2.4 The use of barrel extenders and tuners is permitted.
- 2.4.2.5 The weight of the rifle with all other attachments used by the competitor, but excluding the sling, shall not exceed 8 kilograms.
- 2.4.2.6 The use of a muzzle brake or compensator is prohibited.

2.4.3 Sights

- 2.4.3.1 Any form of 'open' or 'aperture' sight, fixed or adjustable, is permitted.

- 2.4.3.2 Foresight elements of plastic or metal, iris foresights, and all neutral diopter light filters, are permitted.
- 2.4.3.3 No magnifying combination of lenses is permitted, except that one lens not exceeding 0.5 diopter (1.5 magnification) may be fitted to either the front or the rear sight. In specific cases a dispensation may be granted. Refer to Rule 2.7.5.
- 2.4.3.4 Corrective glasses or contact lenses may be worn, or a corrective lens may be fitted externally to the rear of the rear aperture sight, either alone or in addition to any lens used as specified in Clause 2.4.3.3.
- 2.4.3.5 A blinder may be attached to the rifle or the rear sight.
- 2.4.3.6 Telescopic or electronic sights, including light emitting devices, are prohibited.

2.4.4 Ammunition

- 2.4.4.1 Rimfire 5.6mm (.22 cal.) long rifle. Only solid projectiles made of lead or soft lead alloy material are permitted. Hollow nose, ballistic tip and other similar projectiles are prohibited.

2.4.5 Slings

- 2.4.5.1 A sling may be made of any flexible material and shall have a maximum width of 40 mm.
- 2.4.5.2 The sling may be attached to the rifle at not more than two points.

2.4.6 Spotting Scopes

- 2.4.6.1 A spotting scope may be used to determine shot position.

2.4.7 Clothing and Padding

- 2.4.7.1 All shooting clothing, gloves, linings, padding and reinforcements must be made of soft, flexible and pliable material.
- 2.4.7.2 Padding is permitted only on the outside of the shooting coat, in the following places:
 - (i) On the shoulder that supports the butt;
 - (ii) On the sling arm from the armpit to a point 100mm from the end of the sleeve;
 - (iii) On the other elbow at a length not exceeding 300 mm.
- 2.4.7.3 The total thickness of padding (including the jacket and lining) shall not exceed 10mm compressed. Strap-on elbow pads may be worn provided the 10mm total compressed thickness is not exceeded.
- 2.4.7.4 Padding on the sleeves may not exceed one-half of the circumference of the sleeve.
- 2.4.7.5 Only one hook, loop, button or similar device may be fastened to the outside of the sleeve or shoulder seam on the sling arm to prevent the sling slipping down the arm.
- 2.4.7.6 A padded glove may be used on the hand of the sling arm. The cuff of the glove shall not extend more than 50mm above the wrist knuckle. The glove must be fully flexible, containing no material that may provide additional support. Total glove thickness, front and back combined, shall not exceed 12mm compressed.
- 2.4.7.7 No additional padding of any type may be attached or used on the person in any form.

2.4.8 Shooting Mats

- 2.4.8.1 Portable rectangular mats, made of material that conforms to Rule 2.4.7.1, and not more than 850mm wide, may be used in addition to permanent mound padding and elbow padding.
- 2.4.8.2 The front portion of the mat, not exceeding 500mm by 750mm, may be made of a compressible material not more than 50mm thick uncompressed.
- 2.4.8.3 A shooting mat shall not cause interference to any other competitor on the firing point.

2.4.9 Gauges

- 2.4.9.1 TSNZ-approved gauges shall be:
 - a) a wide flange type suitable for either the 18.288 metre (20 yards) or 22.860 metre (25 yards) standard targets and shall conform to the detailed dimensional drawing contained in Section 2, APPENDIX C.
 - b) a plug gauge with a diameter of 5.60mm (+0.00mm and -0.05mm), which shall only be used for testing the outermost scoring ring (i.e. testing between a score of 5 or 4).
- 2.4.9.2 TSNZ-approved gauges may be purchased from TSNZ Trading or any other person approved by TSNZ.

2.5 TARGET STANDARDS

- 2.5.1 PAPER targets recognised by TSNZ for Indoor competition shall comply with Specification in Section 2, APPENDIX F.
- 2.5.2 ELECTRONIC targets recognised by TSNZ for Indoor competition shall comply with Specification in Section 2, APPENDIX G.

2.6 SHOOTING POSITION

- 2.6.1 The competitor shall lie on the firing point with the body extended and the head toward the target. Both hands and one shoulder may support the rifle only. While aiming, the cheek may be placed on the rifle stock. The rifle or any accessories must not touch or rest against any other point or object. Both forearms and sleeves of the shooting jacket forward of the elbow must be visibly raised from the surface of the firing point or shooting mat. The sling forearm must form an angle of not less than thirty degrees from the horizontal, measured from the axis of the forearm.
- 2.6.2 The rifle may be supported by the sling, but no part of the rifle may touch the sling or its attachments other than at the normal attachment points. The sling may be braced to one arm only (see Rule 2.7 for dispensation provisions).
- 2.6.3 The butt of the rifle must be placed on the outside of the shooting jacket.
- 2.6.4 No part of the competitor's body shall rest forward of the marked firing line.
- 2.6.5 No artificial rest of any kind is permitted but in specific circumstances a dispensation may be granted (refer to Rule 2.7).

2.7 PHYSICAL DISABILITY PROVISIONS

- 2.7.1 The Range Officer may authorise another person to act for any competitor who, due to physical disability, is unable to adjust the sights.
- 2.7.2 The use of a double arm sling, where such is necessary, is permitted.
- 2.7.3 The use of an artificial arm is permitted, provided it is being used solely as a substitute for a natural arm.
- 2.7.4 Any competitor who, by reason of physical handicap other than an artificial arm, cannot support a rifle in the manner required by these Rules may apply for a dispensation.
- 2.7.5 Any competitor suffering from defective eyesight and whose condition the provisions of Rule 2.4.3.4 cannot rectify may apply for dispensation to use additional optical aids.
- 2.7.6 Dispensations granted under this Section shall continue for not more than five years. Applications for renewal of a dispensation shall be made not less than three months prior to the expiry date of the dispensation in accordance with Rule 2.7.8.
- 2.7.7 Where a surgical procedure or other treatment is undertaken prior to the date of renewal to correct or modify a physical or optical disability for which a dispensation has been granted, the dispensation shall be void and a further application must be made if required.
- 2.7.8 Applications for dispensations shall be made to the Executive of TSNZ through the local Association and be accompanied by evidence sufficient to prove the dispensation is necessary to allow the applicant to participate in the sport to the best of his/her ability. Medical certificates or Optometrists certificates shall be considered the minimum evidence to be submitted. Photographs of any aids required are recommended.

2.8 SCORING PROCEDURES

- 2.8.1 **For PAPER TARGETS** specified in Rule 2.5.1:
 - 2.8.1.1 Scoring shall be carried out by two people, appointed by the local Association, working together, one of whom shall mark and the other who shall check mark. Check marking shall include confirming the value of any shot that is tested and confirming the total score for the target.
 - 2.8.1.2 The value of the shot (except for an inner ten where rule 2.8.1.8 will apply) shall be decided by the edge of the shot hole furthest from the centre of the target as determined by a TSNZ-approved wide flange gauge.

When the flange of the gauge touches the outside of the scoring line (ie, the intent, ignoring printing imperfections, of the white line is not visible) the lower value shall be credited.

Testing for a value 5 shot, a TSNZ-approved plug gauge shall be used, marking the outside of the line. A shot touching the aiming mark, using a plug gauge, shall be scored as 4. It is only these two shots that are to be tested with a plug gauge.

Any shot wholly outside the aiming mark shall have no score value.

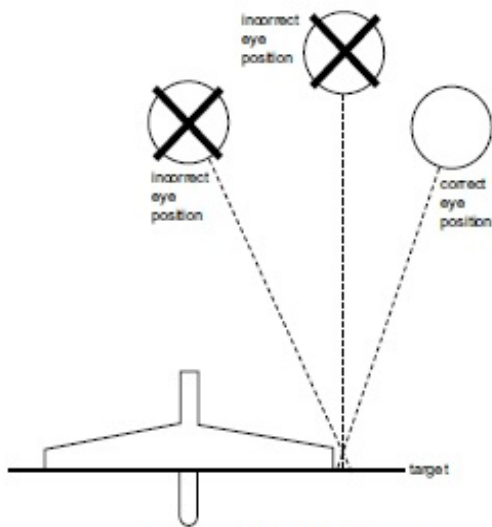


Fig. 9—SCORING TARGETS

The intended practice is to view the tester from an angle so that you can clearly see where the edge of the tester meets the paper.

- 2.8.1.3 Where a TSNZ-approved gauge is inserted in a shot hole to determine the value of the shot, the gauge shall not be removed from the target until the value of the shot is finally determined.
- 2.8.1.4 When scoring targets, the value of each shot shall be shown in Arabic numerals alongside the appropriate diagram.
- 2.8.1.5 If the shot is tested, the letter 'I' if the shot is 'in' and 'O' if the shot is 'out' shall be placed alongside the diagram to indicate the result of the testing. The value of the shot shall then be shown beneath the 'I' or 'O'. If the shot was being tested for an inner and the shot tests in, the value to be shown is to be 10.1, otherwise the value to be shown is to be 10.0.
- 2.8.1.6 All shots which are tested are to be checked by a check-marker before gauges are removed. Once checked, the letter 'T' shall be placed alongside the 'I' or 'O' to indicate it has been checked and agreed with.
- 2.8.1.7 If a tested value is not agreed with between the marker and the check-marker it shall be examined by a second check-marker, whose decision shall be final. A further 'T' shall then be added, and the second check-marker shall initial alongside the appropriate diagram.
- 2.8.1.8 When a TSNZ-approved wide flange gauge has been inserted in the shot hole and the intent, ignoring printing imperfections, of the "Inner Gauging" ring is not visible, the value shall be shown as 10.1.
- 2.8.1.9 **SCORING PENALTIES:** The following scoring penalties and irregularities shall apply in all competition:
- 2.8.1.9.1 **TOO MANY SHOTS ON SIGHTING DIAGRAM** - If the sighting diagram has more than the maximum of three permitted shots and:
- (i) The total number of shots, including sighting shots, is not more than 13 (100 possible) or 23 (200 possible), then the three highest valued shots on the sighting diagram shall be discounted and the remainder shall be treated as counting shots. A penalty deduction of one point for each excess shot fired on the sighting diagram shall be imposed.
 - (ii) The total number of shots, including sighting shots, exceeds 13 (100 possible) or 23 (200 possible), then the three highest valued shots on the sighting diagram shall be discounted and the remainder shall be treated as counting shots and Rule 2.8.1.9.3 shall apply.
- 2.8.1.9.2 **SIGHTING SHOTS PLACED ON COUNTING DIAGRAM**
- (i) If the first or second sighting shot misses the target or is fired onto a counting diagram there shall be no penalty. The Range Officer shall be notified before the next shot is fired. Should a third sighting shot be fired which scores on a counting diagram, either on the competitor's own target or as a cross-fire onto a target other than their own, then counting shots shall be deemed to have commenced, and the shot treated and scored accordingly.
 - (ii) Should a completed target have only one sighting shot then the highest counting shot shall be regarded as a sighting shot and discounted.
 - (iii) Should a completed target have no sighting shots, then the two highest counting shots shall be regarded as sighting shots and discounted.
 - (iv) Failure to notify the Range Officer before commencing counting shots will deem the shooter to have fired the number of sighting shots that appear on the sighting diagram.
- 2.8.1.9.3 **EXCESS SHOTS ON TARGETS**
- If a target has more than the number of counting shots required for the competition then, for each excess shot, one of the highest scoring shots shall be discounted and a penalty of two points for each excess shot fired will be imposed. If it can be verified that the excess shot(s) were fired by another competitor, the provisions of Rule 2.8.1.9.5 shall apply.

2.8.1.9.4 **OVERLOADS ON OWN TARGET**

Where a competitor places more than one shot on any counting diagram, but fires not more than the total number of counting shots specified for the competition, full credit shall be given for each shot that can be distinctly seen. A penalty of one point for each excess shot on any particular diagram shall be imposed. An inner bull overloaded shall be scored as 9.1.

2.8.1.9.5 **CROSSFIRES**

Any competitor who fires on a target other than their allocated target shall be penalised two points per crossfire. Where the actual firers of the scoring shots cannot be determined on a target which has been cross fired on, the competitor receiving the shot shall be credited with the higher value shot. If the actual firers of the shots on the overloaded diagram can be determined, then each competitor shall be credited with the value of the shots fired. The competitor who crossfires shall be penalised two points for each shot crossfired. Any competitor who fires on to the target of another competitor or fires a shot which for any reason does not register on any target, and then fires the full number of shots allowed for the competition, shall be disqualified and reported to the Range Committee for further disciplinary action.

2.8.1.10 **PROTEST PROCEDURES**

2.8.1.10.1 A competitor shall have the right to have any target re-checked in order to have obvious errors corrected or doubtful shots tested. Shots that have already been tested shall not be re-tested.

2.8.1.10.2 Competitors are responsible for ensuring their scores are correctly recorded by the statistical office and may challenge an incorrectly recorded score.

2.8.1.10.3 No protests for incorrectly marked, recorded, or missing scores shall be entertained more than 10 minutes after the posting of final match scores.

2.8.2 For **ELECTRONIC TARGETS** specified in Rule 2.5.2:

2.8.2.1 Scoring printouts must be printed for all matches shot on electronic targets.

2.8.2.2 All scoring printouts shall be checked by a person appointed by the local Association.

2.8.2.3 The value of a shot may not be challenged; the value of all shots as printed on the scoring printout shall be final.

2.8.2.4 **SCORING PENALITIES** - The following scoring penalties and irregularities shall apply in all competition:

2.8.2.4.1 **TOO MANY SIGHTING SHOTS** – if there are more than the maximum of three permitted sighting shots on a completed match printout and

i) the total number of shots, including sighting shots, is not more than 13 (100 possible) or 23 (200 possible), then the three highest valued shots on the sighting diagram shall be discounted and the remainder shall be treated as counting shots. A penalty deduction of one point for each excess shot fired on the sighting diagram shall be imposed.

ii) the total number of shots, including sighting shots, exceeds 13 (100 possible) or 23 (200 possible), then the three highest valued shots on the sighting diagram shall be discounted and the remainder shall be treated as counting shots and Rule 2.8.1.9.3 shall apply.

2.8.2.4.2 **TOO FEW SIGHTING SHOTS** – Should a completed match printout have

i) only one sighting shot then the highest counting shot shall be regarded as a sighting shot and discounted.

ii) no sighting shots, then the two highest counting shots shall be regarded as sighting shots and discounted.

Failure to notify the Range Officer before commencing counting shots will deem the shooter to have fired the number of sighting shots that appear on the match printout.

2.8.2.4.3 **CROSSFIRES** - Any competitor who fires on a target other than their allocated target shall be penalised two points per crossfire. Where the actual firers of the scoring shots cannot be determined on a target which has been cross fired on, the competitor receiving the shot shall be credited with the higher value shot. If the actual firers of the shots on the overloaded diagram can be determined, then each competitor shall be credited with the value of the shots fired. The competitor who crossfires shall be penalised two points for each shot crossfired. Any competitor who fires on to the target of another competitor or fires a shot which for any reason does not register on any target, and then fires the full number of shots allowed for the competition, shall be disqualified and reported to the Range Committee for further disciplinary action.

2.9 GRADING OF MEMBERS

- 2.9.1 For the purposes of the competitions specified in rule 2.1.1 TSNZ shall grade members into one of the five grades specified in Rule 2.9.3. A first-year competitor as defined in Rule 2.1.6 shall automatically be D grade.
- 2.9.2 For the purposes of grading all affiliated members shall hold a 'Shooters Performance Card' and shall enter all official club, championship and representative scores shot between 1 April and 30 September.
- 2.9.3 Official club scores include all scores shot at any club that are not marked as 'Practice' prior to being shot.
- 2.9.4 Affiliated shooters shall compute their grading average out of 100 by adding all scores for the grading period as specified in rule 2.9.2 and dividing the result by the number of 10 shot targets involved. A minimum of six official scores shall be required for grading purposes. The shooters grading for the next season shall then be determined from the following grading table:
- | | |
|--------------|-----------------|
| Master Grade | 97.75 - 100 |
| A Grade | 96.50 - 97.74 |
| B Grade | 94.00 - 96.49 |
| C Grade | 90.00 - 93.99 |
| D Grade | 89.99 and under |
- 2.9.5 Affiliated members shall not later than 10 October forward their completed 'Shooters Performance Card' to their Club Secretaries.
- 2.9.6 Club Secretaries shall check the calculations on the 'Shooters Performance Card' and enter the member's name, number, average score and grade on the 'Club Grading Form' as supplied by TSNZ.
- 2.9.7 Club Secretaries shall retain the 'Shooters Performance Cards' for a period of 12 months.
- 2.9.8 Club Secretaries shall not later than 31 October return the completed 'Club Grading Form' to the TSNZ Executive Officer.
- 2.9.9 The TSNZ Executive Officer shall, supply each Association, Club and Directly Affiliated Club with a master list of their own financial members confirmed gradings not later than 1 March in each year.
- 2.9.10 The level of average score as specified in Rule 2.9.3 to be attained for each grade shall be reviewed regularly at the TSNZ Annual General Meeting. The Executive shall ensure that the current seasons grading numbers are assessed each year, and if considered necessary prepare a remit for consideration at the TSNZ Annual General Meeting.
- 2.9.11 In the event of any change to grading levels, the new scores shall only be applied to scores shot after the levels have been determined.
- 2.9.12 An **ungraded competitor** may enter any competition upon provision of a certificate, signed by the member's Club Secretary, of the last six official scores prior to the competition.
- 2.9.12.1 A competitor who returns to the sport having been absent for a period of less than three years shall recommence with the grading held prior to that absence.
- 2.9.12.2 A competitor who returns to the sport after having been absent for a period of more than three years shall be graded by his/her Club on the average of six official scores.
- 2.9.12.3 The Club Secretary shall forward these gradings to the Executive Officer for an official grading and issue of a Membership Card when remitting the TSNZ Capitation Fee in compliance with Clause 1.A.1 of the TSNZ Constitution.
- 2.9.13 TSNZ, Associations, Clubs and Directly Affiliated Clubs reserve the right to grade a member who wishes to enter a championship but who has not yet obtained an official TSNZ grading or Membership Card.
- 2.9.14 The onus of entering the correct grade rests with the competitor.

2.10 COMPETITION OFFICIALS

2.10.1 RANGE COMMITTEE

- 2.10.1.1 Rifle competitions shall be under the control of a Range Committee that shall consist of at least three people. The Range Committee shall arbitrate on any matter arising during the meeting. The Committee's decisions shall be final subject to the provisions of Rule 2.1.5.
- 2.10.1.2 The Range Committee is responsible for the safety of all competitors, officials, spectators and other personnel on the range and its environs. The Committee must ensure the safety rules of TSNZ are followed.
- 2.10.1.3 The Range Committee shall verify the competence of the officials under its control to apply the Rules.
- 2.10.1.4 In all matters the Range Committee shall have due regard to the ethics of good sportsmanship and the intent of these Rules, which is to provide fair and equal conditions to all competitors, as far as is practicable.

- 2.10.1.5 Competitors shall not be present at any Range Committee meeting when matters concerning them are being discussed. A competitor shall have the right, if so desired, to state a case to the Committee prior to the conclusion of the proceedings and before a decision is made. Where teams are concerned the team captains or managers are entitled to state a case prior to the conclusion of the Range Committee's deliberations.
- 2.10.2 **RANGE OFFICERS**
- 2.10.2.1 The Range Officer shall be the holder of a current Firearms Licence.
- 2.10.2.2 Every Range Officer of an Open Championship, Island, or Nationals event shall hold a current TSNZ Indoor Range Officer qualification.
- 2.10.2.3 The Range Officer shall be responsible for ensuring that unlicensed competitors on the firing point are adequately supervised by the holder of an appropriate firearms license, as required by the Arms Act 1983 and subsequent amendments.
- 2.10.2.4 The Range Officer is responsible for turning the red safety light back on at any time when shooting is not permitted.
- 2.10.2.5 The Range Officer is responsible for giving the commands "SHOOTERS LOAD", "SHOOTERS START", "SHOOTERS STOP AND UNLOAD", "SHOOTERS CLEAR ACTIONS AND INSERT SAFETY FLAGS", and other necessary commands. The Range Officer shall ensure the commands are obeyed and that the safety rules are followed.
- 2.10.2.6 The Range Officer is responsible for providing the correct time calls and for responding promptly to any abnormal condition or incident notified by competitors or other people on the range.
- 2.10.2.7 In the interests of safety the Range Officer may interrupt shooting at any time.
- 2.10.2.8 The Range Officer may order from the firing point any competitor whose behaviour or equipment constitutes a risk to safety.
- 2.10.2.9 The Range Officer shall refer to the Range Committee any competitor whose equipment is suspected of contravening the standards set out in these Rules.
- 2.10.2.10 No competitor shall be penalised or disadvantaged through following any instruction of the Range Officer.

2.11 COMPETITION CONDITIONS

- 2.11.1 Competitors are required to be familiar with these rules and competition conditions. Any rule infringements, or dishonest, discreditable or dangerous conduct at any competition sanctioned by TSNZ, shall render a competitor liable to disqualification from the competition. Subject to the discretion of the Range Committee, such conduct may be reported to the TSNZ Executive, which may impose such disciplinary action as it sees fit. Any competitor collaborating in such conduct shall be liable to the same penalties. Refer to Rule 2.1.5 for appeals to TSNZ.
- 2.11.2 **ELIGIBILITY FOR COMPETITION**
- 2.11.2.1 Subject to special conditions of any competition the following are eligible to compete in TSNZ sanctioned events:
- (i) In **Individual competitions** - any financial member of TSNZ;
 - (ii) In **Teams competitions** - financial members of any Club affiliated to TSNZ. A competitor may represent more than one Club during any year, but only in different competitions in that year;
 - (iii) In **Association competitions** - financial members of any Association affiliated to TSNZ. A competitor may represent more than one Association during any year, but only in different competitions in that year;
- 2.11.2.2 No Competitor, Club or Association **not affiliated to TSNZ** shall take part in any competition conducted by any affiliated body.
- 2.11.2.3 Overseas shooters may compete in any competition provided they are affiliated members of their National Association.
- 2.11.2.4 Unless otherwise specified in the conditions, an Association or Club may enter any number of teams and take any number of prizes. No competitor may shoot for more than one team in any one competition.
- 2.11.3 **SHOOTING AND SQUADDING TIMES**
- 2.11.3.1 All circulars or programmes for competitions shall state the opening and closing times of each day's squadding and/or shooting. Shooting shall only be permitted on the range between those times unless sanctioned by the Range Committee.
- 2.11.3.2 The Range Committee shall announce adjournments at least two details prior to the adjournment. When the announced number of details are completed at the end of the day, no further details shall be shot.
- 2.11.3.3 Any competitor wilfully entering under an assumed name or supplying incorrect information on any entry form shall be dealt with in accordance with Rule 2.11.1.
- 2.11.3.4 Competitors shall fire over the numbers on the firing point that correspond to their allocated targets.
- 2.11.3.5 Only competitors actually firing are allowed on the firing point. Coaches, spotters and others authorised by the conditions of the competition shall be permitted to occupy the rear of the firing point only.

2.11.4 **PRACTICE SHOOTING**

2.11.4.1 The Range Committee may allow Practice shooting before or during a competition where conditions and circumstances permit. After a practice shoot a competitor must leave the firing point before shooting a competition target. No competitor shall have a practice target on the target frame at the same time as a competition target.

2.11.5 **SPOTTING**

2.11.5.1 In all events, competitors may either spot for themselves or may have their shots spotted by another person from the rear of the firing point only.

2.11.5.2 Spotting is restricted solely to a description of the shot placement using the 'CLOCK' method. Spotters shall not move on to the firing point for any purpose without the consent of the Range Officer. A spotter may also act as a coach for a competitor allowed coaching.

2.11.6 **COACHING**

Coaching is where a competitor receives advice or instruction during the competition.

2.11.6.1 Coaching is permitted for C & D Grade competitors only and may be conducted from the rear of the firing point only.

2.11.6.2 Any coaching of C & D grade shooters on the range must be carried out with minimum disturbance to other competitors.

2.11.7 **RANGE PROCEDURES**

2.11.7.1 In a competition consisting of more than one match, a competitor may shoot in consecutive details or squads provided the competitor leaves the firing point between details or squads.

2.11.7.2 Competitors may load when instructed and fire on the command "SHOOTERS START" and may not fire after the command "SHOOTERS STOP". Time will be taken from the signal "SHOOTERS START" and any shot fired after the command "SHOOTERS STOP" will be disallowed.

2.11.8 **COMPETITION TIMING**

2.11.8.1 The time limit shall be twelve minutes for a ten-shot match (100 possible) and twenty-two minutes for a twenty-shot match (200 possible), inclusive of sighting shots permitted under Rule 2.11.9.

2.11.8.2 A maximum period of one minute shall be allowed for the firing of warmer shots prior to commencement of the competition timing.

2.11.8.3 For a 10 shot match, the intermediate time call will be given at six (6) minutes to go and a 20 shot match intermediate call will be given at ten (10) minutes to go, and a verbal warning must be given two minutes before full time expires.

2.11.9 **SIGHTING SHOTS**

2.11.9.1 Two compulsory shots and one additional optional sighting shot shall be permitted on the designated sighting diagram, prior to the commencement of counting shots (see Rules 2.8.1.9.2, 2.8.2.4.1, 2.8.2.4.2).

2.11.9.2 For PAPER TARGETS:

(i) The sighting diagram shall be the centre diagram on an eleven-diagram target.

(ii) Where multiple targets are used, all but one of the sighting diagrams shall be defaced in a manner that can be seen by the naked eye from the firing point.

(iii) In twenty shot matches the two targets shall be placed adjacent, horizontally, on the target frames.

2.11.9.3 For ELECTRONIC TARGETS:

i) All sighting shots must be fired with the target control system in "Sighting" mode.

ii) It is the shooter's responsibility to change from "Sighting" mode to "Match" / "Competition" mode before firing any counting shots.

2.11.9.4 Disqualification for misconduct shall not necessarily involve the loss of scores made by a competitor in team matches prior to the offence being committed unless the Range Committee decides otherwise.

2.11.10 **TIE BREAKING**

2.11.10.1 Unless otherwise stipulated in the program, and displayed at the point of entry, individual ties shall be decided in the following manner:

1. By the aggregate of inners over all targets; if still a tie then

2. By count back over the totals of ten-shot or 20 shot strings including inners, commencing with the last target; if still a tie then

3. By a shoot off as stipulated at the point of entry by the Range Committee.

2.11.10.2 Team ties for the first three places shall be decided as follows:

By the team aggregate of inners; if still a tie then

By totalling the results of all team members by ten-shot strings and following the procedures set out in Rule; if still a tie then

The tied teams shall be listed equally in alphabetical order of team names.

2.11.11 MALFUNCTIONS

- 2.11.11.1 Where a malfunction occurs resulting in a rifle failing to fire a projectile which exits the barrel when the trigger is pulled the competitor shall be permitted to complete the target in a later detail or squad, once the fault has been rectified. The competitor may also elect to use a substitute rifle or accessory.
- 2.11.11.2 The only defective cartridge that shall be recognized is one where the projectile does not leave the muzzle end of the barrel. Once the blockage has been cleared another cartridge may be used and the shoot completed in accordance with Rule 2.11.11.4. Where a projectile leaves the muzzle end of the barrel and for any reason whatsoever does not hit any target, the competitor shall lose the shot.
- 2.11.11.3 If an individual electronic target malfunctions, the shooter shall be permitted to complete the target in a later detail or squad and the shoot completed in accordance with Rule 2.11.11.6.
- 2.11.11.4 If an individual shooter cannot complete their shoot within the allotted time for any reason outside their control, other than the provisions set out in Rules 2.11.11.1, 2.11.11.2 or 2.11.11.3, the shooter shall have the right to claim completion of the shoot in accordance with Rule 2.11.11.6
- 2.11.11.5 If for any reason outside the shooters' control the entire squad/detail cannot complete their shoot within the allocated time, the Range Officer shall note the time remaining at the point the stoppage occurs. If the reason for the stoppage can be rectified within a reasonable time the entire squad/detail shall be re-started using the remaining time plus 1 minute, during which all shooters shall be allowed one additional sighting shot prior to commencing their competition firing. If the reason for the stoppage cannot be rectified within a reasonable time the squad/detail shall be abandoned.
- 2.11.11.6 Where a competitor elects to complete a shoot under Rules 2.11.11.1 or 2.11.11.2 or 2.11.11.3 or 2.11.11.4, one sighting shot plus time equivalent to one minute per counting shot remaining shall be allowed to complete the target.

2.12 POSTAL COMPETITIONS

- 2.12.1 Annual postal competitions shall be arranged by the TSNZ Executive and the relevant advertisements shall be forwarded to all associations and clubs not later than 31 March in each year.
- 2.12.2 The postal competitions shall include:
- 2.12.2.1 A Season's Aggregate in all grades;
- 2.12.2.2 An Individual Championship in all grades and for Women, Juniors and Veterans;
- 2.12.2.3 Inter-club and Association teams matches in all grades, plus Women, Junior and Veteran team matches and Combined club teams.
- 2.12.3 The postal match format shall be set out in the annual advertisement and may be amended by a TSNZ General Meeting.
- 2.12.4 For the purposes of the above a Junior shall be under twenty-one years of age on the 31st December in the year of the competition, and a Veteran shall be sixty years of age or over on the last date for entries as noted in the annual advertisement.
- 2.12.5 A competitor may shoot for teams in different grades or categories within the same TSNZ Postal Competition. No competitor may shoot for more than one team in any grade or category within the same TSNZ Postal Competition.
- 2.12.6 Entries for individual and team competitions shall be made on the official TSNZ entry form and be accompanied by the required entry fee.
- 2.12.7 Entries may be accepted up to 5 weeks prior to the closing date of the Seasons Aggregate and 3 weeks prior to the closing date of all other Postal competitions but no extension of time shall be granted to complete the competition.
- 2.12.8 TSNZ shall issue suitable identification for each competitor's targets.

2.12.9 WITNESSES

The shooting of every TSNZ postal competition target shall be witnessed by a person approved by the local TSNZ affiliated Association.

2.12.9.1 DUTIES OF WITNESSES

The duties of the witness shall be:

- (i) To be conversant with these Rules of Conduct and the conditions of the competition;

- (iv) To be present on the range during the entire shoot;
- (v) To ensure the competitors are those named on the entry form and that the stickers are affixed before any target is shot;
- (vi) To sign and date each paper target or electronic scoring printout after it has been shot. For an Association Teams' event a signed certificate verifying the targets en bloc shall suffice;
- (vii) To promptly advise TSNZ of any infringements of the rules.

2.12.9.2 A Witness may not witness his/her own shoot in any competition;

2.12.9.3 The TSNZ Executive reserves the right to appoint a special witness.

2.12.9.4 Any Club having difficulty in obtaining a witness may apply to the local Association for assistance, and be prepared to pay the reasonable out-of-pocket expenses, if required, of the person appointed.

2.12.10 Marked paper targets and electronic target scoring printouts from electronic targets shall be returned to the local Association not later than the date specified in the annual advertisement. Directly Affiliated Clubs shall return shot and witnessed targets to the Executive Officer, for marking, by that same date.

2.12.11 Any paper target or electronic target scoring printout received in a mutilated condition shall be disqualified.

2.12.12 The local Association or Club authorised markers shall score targets in accordance with Rule 2.8.

2.12.13 The local Association or Club shall verify the correct score has been entered on the results form and forward the scores to the Executive Officer by the date specified in the annual advertisement and shall hold shot competition targets and electronic target scoring printouts until the final results are distributed. Shot targets and electronic target scoring printouts shall be forwarded to the Executive Officer on request. Any target received in a damaged condition where the value of the shot cannot be properly determined shall be declared invalid, and any score found to be incorrectly applied shall be amended. Should any target(s) or electronic scoring printout(s) be unavailable for checking by the Executive Officer, or examination of the target(s)/printout(s) reveal that the rules of the competition have not been followed, the competitor shall be disqualified from the competition.

2.12.14 Postal competition results shall be published and contain the scores of all competitors. All placings shall be detailed and copies shall be forwarded to all competing Clubs and all Associations.

2.12.15 Postal competition trophies shall be forwarded to the winners only if requested in writing. The TSNZ Executive shall require adequate guarantees for the return of all postal competition trophies in good order and condition.

2.13 INTER-ISLAND COMPETITION

2.13.1 Teams subject to the following conditions are:

North Island and South Island Veterans Teams
 North Island and South Island Open Teams
 North Island and South Island Women's Teams
 North Island and South Island Junior Teams
 North Island and South Island Men's Team

2.13.2 **NOMINATION** for these teams may be made by any affiliated member of TSNZ, subject to the following conditions:

2.13.2.1 Members who wish to nominate for selection to any of the teams in Rule 2.13.1 shall complete a written nomination and submit it to the TSNZ office not later than 30th April in the year of the event. A nomination is only valid if the Member is a current TSNZ financial member by 31st May in the year of the event.

2.13.2.2 Members may only nominate for the specific Island Teams that correlate to that Member's usual place of residence on 1 April in the year of the event i.e. if you live in the North Island you may only nominate for North Island and if you live in the South Island you may only nominate for South Island Teams.

2.13.2.3 The TSNZ Executive Officer shall no later than 15th May of the year of the event, forward a full list of nominations to the Association Secretaries and publish the list on the TSNZ website. This list will include the Nominees' affiliation status at that time the list is published.

2.13.3 TEAM SELECTION

2.13.3.1 The teams listed in clause 2.13.1 shall be determined by a process of automatic qualification, and subsequent deliberation by Island Selection Panels.

2.13.3.2 Automatic qualification shall be determined using rankings calculated from current season's scores attained by nominees at Open Championships as detailed in the TSNZ shooting calendar.

2.13.3.3 Each nominee's score (excluding inners) from each completed Open Championship up to the weekend of PLUS 4, shall be expressed as an average out of 100. The total best four Open Championship averages shall determine each nominee's ranking. Any finals, top ten events, re-entries, or any scores obtained at any range other than that of the Open Championship's Host Venue, shall not be included in the calculation of the Championship average.

2.13.3.4 The TSNZ Executive Officer shall calculate the ranking lists from all Open Championship scores provided by Championship organisers in accordance with Section 1 Appendix G.1. The TSNZ Executive Officer shall forward the completed ranking lists to the appropriate Island Selection Panel no later than the weekend of **PLUS 5** of the TSNZ

Indoor Competition calendar.

- 2.13.3.5 The highest ranked nominees for each team will automatically qualify for inclusion in the team.
The number of automatic qualifications for each team shall be as follows. Open teams - 15 members, Women's teams - 11 members, Men's teams - 11 members, Junior teams - 7 members, Veteran teams - 7 members.
- 2.13.3.6 The Island Selection Panel shall select the remaining members of each team from the full list of nominees and may consider nominees who have not completed four Championships.
- 2.13.3.7 The Island Selection Panel shall also select two emergencies for each team, and name in ranked order up to five on call shooters for each team.

2.13.4 **HOST ASSOCIATION**

- 2.13.4.1 The Association hosting the event shall, not later than the weekend of **PLUS 3** forward the required accommodation forms to the Executive Officer for onward transmission to team Members in accordance with Clause 2.13.4.4.
- 2.13.4.2 Team members shall return accommodation forms promptly to the Host Association, which shall not be held responsible for accommodation requests received later than the date specified by the Host Association.

The Host Association shall be responsible for:

- 2.13.4.3 Providing an approved range conforming with the standards in Rule 2.3 and adequate facilities for the numbers involved;
- 2.13.4.4 Providing a list of recommended accommodation and all accommodation arrangements to be the responsibility of the individuals;
- 2.13.4.5 Arranging the programme for the event, including a social function on the Sunday evening, and provision for the taking of team photographs;
- 2.13.4.6 Providing time in the programme for the introduction of teams and the presentation of team date bars;
- 2.13.4.7 Providing a minimum of three competent target markers and an adequate number of TSNZ-approved gauges;
- 2.13.4.8 Providing adequate staff to serve as Range Officers, target changers, and the like;
- 2.13.4.9 Making provision for adequate practice for all participants prior to the commencement of the match;
- 2.13.4.10 Providing adequate score-boards for the display of scores as they come to hand;
- 2.13.4.11 Arranging, where requested by TSNZ, for marking of international postal teams matches shot during the weekend, including verification of scores for forwarding overseas.
- 2.13.4.12 Full co-operation, with the Liaison Officer, appointed by the TSNZ Executive, to supervise the arrangements and conduct of the event. Refer Section 2, APPENDIX B for Liaison Officer's duties.

2.13.5 **TEAM MANAGERS**

- 2.13.5.1 Any Ordinary Member of TSNZ who wishes to be considered for the position of Manager of any of the teams defined in Rule 2.13.1 shall, not later than **PLUS 3** submit his/her nomination in writing to the Executive Officer.
- 2.13.5.2 The TSNZ Executive shall, as soon as practicably possible following selection and confirmation of the Inter-Island teams in the year of the event, appoint a Manager for each of the teams in Rule 2.13.1.

2.13.6 **NOTIFICATION**

- 2.13.6.1 The Convener of each Island Selection Panel shall provide the Executive Officer with details of the teams, team captains and any on-call members not later than Monday after the weekend of **PLUS 5**.
- 2.13.6.2 The TSNZ Executive Officer shall forward to each team member written advice of his/her selection, and all necessary forms and details pertaining to the Inter Island event as soon as practicably possible following receipt of team lists from the Island Selection Panel Conveners.
- 2.13.6.3 The Executive Officer shall forward to each Team Manager the names, addresses and contact phone numbers of each member of the Team under his/her management, as soon as practicably possible following appointment of those Managers.
- 2.13.6.4 The Executive Officer shall forward full details of all Teams to the Host Association and the Trophy Steward, as soon as practicably possible following receipt of team lists from the Island Selection panel Conveners.

2.13.7 **TRAVEL ARRANGEMENTS AND EXPENSES**

- 2.13.7.1 Travel arrangements and expenses are the responsibility of the individual team members.
- 2.13.7.2 Team members and Managers participating in the matches specified in Rule 2.13.1 shall be entitled to a payment for travel calculated as follows:

- (i) An allowance based on the distance from the shooter's/Manager's home base to the venue with the first 250 kilometers being disallowed;
 - (ii) Team members and Managers required to cross Cook Strait - \$20 additional.
- 2.13.7.3 Team Managers shall be entitled to an additional payment for Manager's duties as determined annually by the Executive.

2.13.8 INTER-ISLAND MATCHES FORMAT

- 2.13.8.1 The Inter-Island Open, Women, Men, Junior and Veteran matches shall be held annually during the weekend of **PLUS 11**. The venue shall alternate between the North and South Islands, or as decided by a TSNZ General Meeting.
- 2.13.8.2 The matches shall be conducted by a Host Association which shall be selected and approved by a TSNZ Annual General Meeting three years prior to the event.
- 2.13.8.3 The matches shall be shot under TSNZ Rules of Conduct - Indoor Competition.
- 2.13.8.4 The matches shall be shot on a shoulder-to-shoulder basis and details or squads shall be so arranged that no two members of either team occupy adjacent mounds.
- 2.13.8.5 The course of fire for each team member shall consist of three matches - one ten-shot, one twenty-shot and one ten-shot. A member selected for more than one team shall shoot separate matches for each team.
- 2.13.8.6 The TSNZ Executive shall appoint a Liaison Officer, whose duties are set out in Section 2, APPENDIX B, to be present at the event.
- 2.13.8.7 Ties for individual and team trophies shall be decided in accordance with Rule 2.11.10.
- 2.13.8.8 For any year where the competition is not able to be held in compliance with these Rules due to disruption from a declared pandemic, natural disaster, or other extenuating circumstances, the Executive may set aside Rules 2.13.8.1, 2.13.8.2, 2.13.8.4, and 2.13.8.6 for that year for the purpose of running the Interisland Match. Any proposed changes may only be made in such a way as to keep as close to the original format and spirit of the competition as possible.

2.13.9 INTER-ISLAND OPEN MATCH

- 2.13.9.1 Each team shall consist of twenty members plus two emergencies, all of who shall shoot.
- 2.13.9.2 Membership of the team shall be open to all affiliated members of TSNZ who have nominated for the event. (Refer Rule 2.13.2 and 2.13.3)
- 2.13.9.3 The winning team shall hold the Ross Shield for one year.
- 2.13.9.4 The highest scoring team member (including emergencies) in the match shall hold the BSA Guns Shield for one year, and be awarded a suitably engraved medal, presented by TSNZ, to retain.

2.13.10 INTER-ISLAND WOMENS MATCH

- 2.13.10.1 Each team shall consist of fifteen members plus two emergencies all of whom shall shoot.
- 2.13.10.2 Membership of the team shall be open to all affiliated women shooters who have nominated for the event. (Refer Rule 2.13.2 and 2.13.3)
- 2.13.10.3 The winning Team shall hold the Craig Shield for one year.
- 2.13.10.4 The highest scoring North Island team member (including emergencies) shall hold the MacDowall Cup for one year and the highest scoring South Island team member (including emergencies) shall hold the R.E.Taylor Cup for one year.

2.13.11 INTER-ISLAND MENS MATCH

- 2.13.11.1 Each team shall consist of fifteen members plus two emergencies all of whom shall shoot.
- 2.13.11.2 Membership of the team shall be open to all affiliated men shooters who have nominated for the event. (Refer Rule 2.13.2 and 2.13.3)
- 2.13.11.3 The winning Team shall hold the Cameron Family Cup for one year.
- 2.13.11.4 The highest scoring team member (including emergencies) from both Island teams shall be awarded a medal to retain, suitably engraved and presented by TSNZ.

2.13.12 INTER-ISLAND JUNIOR MATCH

- 2.13.12.1 Each team shall consist of ten members plus two emergencies all of whom shall shoot.
- 2.13.12.2 Membership of the team shall be open to all affiliated Junior shooters as defined in Rule 2.1.6 who have nominated for the event. (Refer Rule 2.13.2 and 2.13.3)
- 2.13.12.3 The winning team shall hold the TSNZ Junior Cup for one year.
- 2.13.12.4 The highest scoring team member (including emergencies) in the match shall hold the Nan Barlow Memorial Cup for one year.

2.13.13 **INTER-ISLAND VETERANS MATCH**

- 2.13.13.1 Each team shall consist of ten members and two emergencies all of whom shall shoot.
- 2.13.13.2 Membership of the team shall be open to all affiliated Veterans who have nominated for the event. (Refer rule 2.13.2 and 2.13.3)
- 2.13.13.3 The winning team shall hold the Rhodes Scroll for one year.
- 2.13.13.4 The highest scoring team member (including emergencies) from the Island teams shall hold the Lissington Trophy for one year.

2.13.14 **INTER-ISLAND REPRESENTATIVE AWARDS**

- 2.13.14.1 On first representation in an Inter-Island team a member shall be awarded a representative badge depicting the event plus a date bar for that year. On subsequent representation in the team a date bar only shall be awarded.
- 2.13.14.2 Date bars shall be presented to team members when teams are introduced and shall be recorded as issued. All new badges shall be presented at the social function.
- 2.13.14.3 The TSNZ Trophy Steward shall maintain a suitable logbook to record all Open, Women, Men, Junior and Veteran Island and National team members and have such logbook present at each Inter-Island shoot.

2.14 **INTERNATIONAL MATCHES**

- 2.14.1 The TSNZ Executive shall attempt to arrange appropriate international matches for indoor teams to fire on a postal basis. Such matches may be for Open, Women, Men, Veteran or Junior teams with such membership terms and conditions as may be practicable to settle with overseas associations.
- 2.14.2 The New Zealand teams, to the required number of shooters in each category, shall be comprised of members taken from the corresponding category North v South event conducted on the preceding day by score ranking in descending order.
- 2.14.3 If such matches cannot be conducted in any particular year, a National Team shall not be selected and National Awards shall not be made.

2.14.4 **NATIONAL AWARDS**

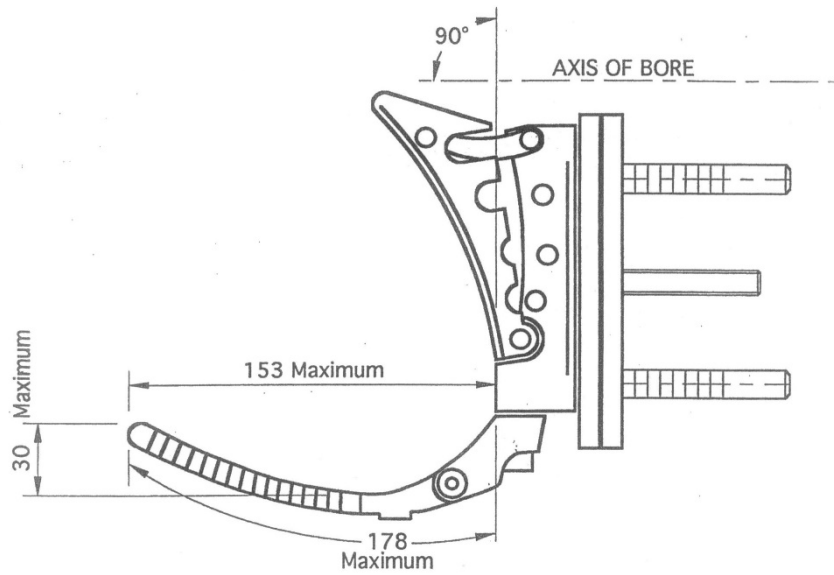
- 2.14.4.1 On first representation in a National Team a member shall be awarded a New Zealand representative medal depicting the team and a bar for that year. On subsequent representation, a date bar only shall be awarded. Any shooter required to shoot as an emergency for any National team shall be considered to be part of the team, and shall be entitled to National Awards.
- 2.14.4.2 On first representation in a National Open Team a member shall be awarded a Silver Fern Pocket bearing the words 'New Zealand Smallbore Rifle Team'.
- 2.14.4.3 On first representation in a National Women's Team a member shall be awarded a Silver Fern pocket bearing the words 'New Zealand Women's Smallbore Rifle Team'.
- 2.14.4.4 On first representation in a National Junior Team a member shall be awarded a Silver fern pocket bearing the words 'New Zealand Junior Smallbore Rifle Team'.
- 2.14.4.5 On first representation in a National Veterans Team a member shall be awarded a Silver Fern pocket bearing the words 'New Zealand Veterans Smallbore Rifle Team'.
- 2.14.4.6 On first representation in a National Men's Team a member shall be awarded a Silver Fern pocket bearing the words 'New Zealand Men's Smallbore Rifle Team'.
- 2.14.4.7 Date bars for National Teams shall be handed out to all team members during the team photo session and shall be recorded as issued. All new medals and pockets shall be presented at the social function.
- 2.14.4.8 National Awards shall only be granted for postal events where the team is assembled at one venue and the match is shot on a shoulder-to-shoulder basis on one calendar day.
- 2.14.4.9 A Silver Fern pocket shall only be worn on an approved blazer.

2.14.4.10 **REPLACEMENT SILVER FERN POCKETS**

- 2.13.7.3.1 One only additional pocket may be purchased from TSNZ, at a price to be fixed by the TSNZ Executive. Requests for replacement or additional pockets must be approved by the TSNZ Executive and recorded by the Trophy Steward. In exceptional circumstances (i.e. loss through fire or burglary) TSNZ may approve dispensation from this requirement.

SECTION 2 APPENDIX A - BUTTPLATE AND HOOK

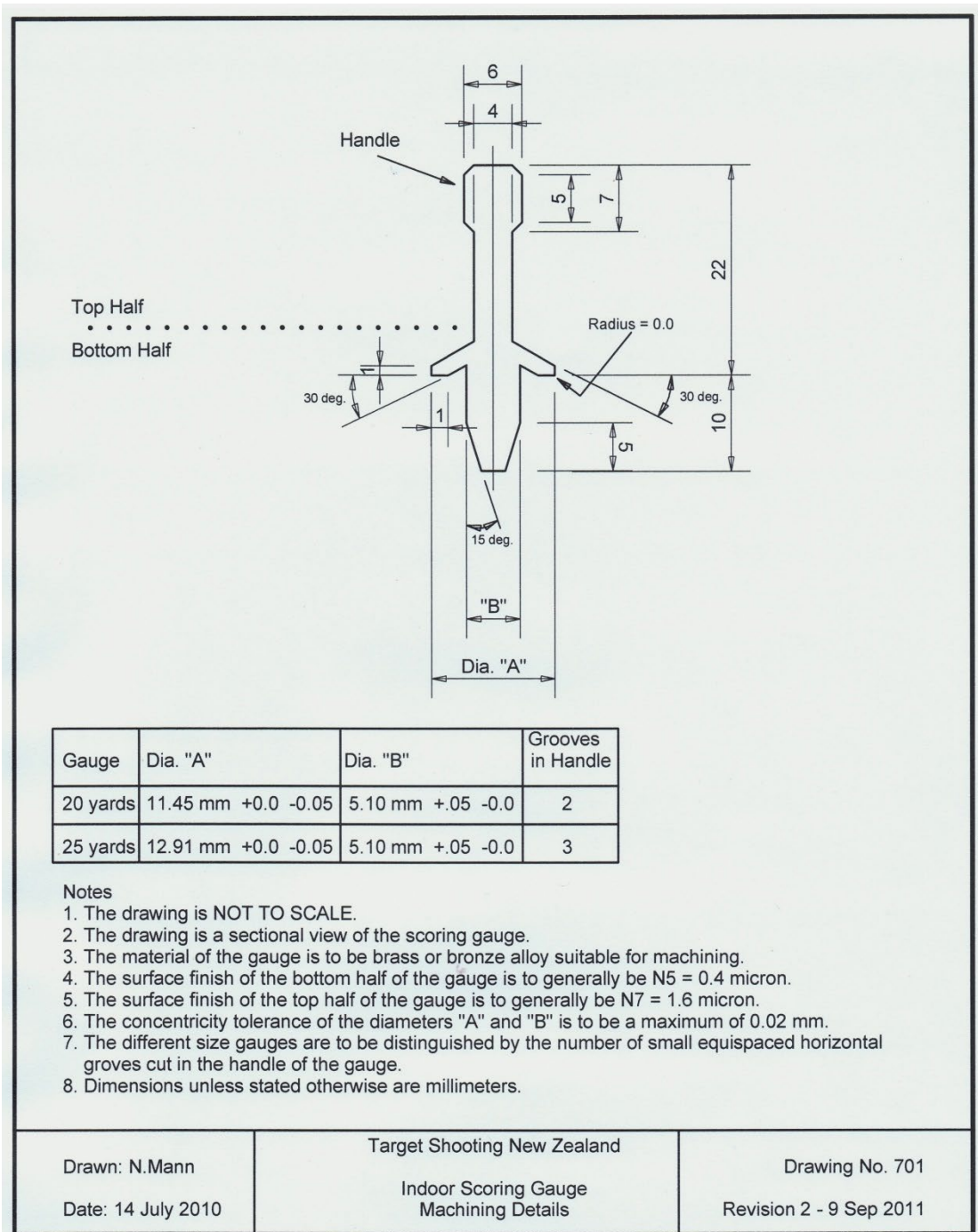
A butt hook may be used that projects not more than 153mm (A) past the rear of a line, perpendicular to a line drawn through the axis of the bore of the rifle, which is tangent to the deepest part of the butt plate depression that normally rests against the shoulder. It may have a total outside length around any curve or bend of not more than 178mm (B).



SECTION 2 APPENDIX B - TSNZ LIAISON OFFICER

- Appointment:** The TSNZ Executive shall appoint the Liaison Officer.
The TSNZ Executive Officer shall advise the event organizers and the Team Managers of the Liaison Officer's appointment.
- Criteria:** The Liaison Officer should reside within reasonable distance of the event venue.
The Liaison Officer shall be conversant with the rules and regulations of TSNZ.
- Powers:** The Liaison Officer shall be empowered to mediate on any dispute arising during the running of the event. In the settling of disputes, the Liaison Officer shall have regard to the rules of competition, their intent, and the recognized code of good sportsmanship.
- Duties:** To consult with the organisers on any problems during the time leading up to the event.
To be readily available at all times during the event.
To inspect the following:
- (a) The range, before and during the event;
 - (b) The setting up and retrieval of targets;
 - (c) Marking and recording of scores;
 - (d) The area available to competitors for their equipment.
- To provide a written, detailed report on all disputes to the TSNZ Executive.
To provide, within a reasonable time after the event, a general report on problems and suggestions for future events.
- General:** The Liaison Officer must be involved in all disputes concerning the above areas.
The Liaison Officer will ensure only those persons directly concerned with any dispute are involved in deliberations.
The Liaison Officer may call on any of the following persons, at his/her discretion, to assist in the resolution of a dispute:
- Team Managers;
 - Range Officers;
 - Range Committee;
 - Markers;
 - The principal Event Organiser;
 - Members of the TSNZ Executive;
 - Any other person whose specialised expertise the Liaison Officer considers necessary to conclude any dispute.

SECTION 2 APPENDIX C - SCORING GAUGE FOR INDOOR TARGETS



SECTION 2 APPENDIX D - NATIONAL INDOOR CHAMPIONSHIP

- 2.D.1 TSNZ shall organise an annual National Indoor Championship (NIC).
- 2.D.2 The NIC shall be contested during **PLUS 9** weekend, using a multiple of venues.
- 2.D.3 Competition shall be conducted in Master, A, B, C and D grades.
- 2.D.4 Course of Fire:
- | | |
|-----------------------|------------------------------|
| Master; A and B Grade | 2 x 20 shot matches |
| C and D Grade | 1 x 10 and 1 x 20 shot match |
- 2.D.5 Prizes to be cash payout, with fixed 1st, 2nd and 3rd amounts and percentage payouts for 4th and lower placings based upon the levels of entry in each grade.
- 2.D.6 In the event of a tie, the combined prize payout for the affected placings will be totalled and divided between the number of tied competitors.
- 2.D.7 The Executive to determine general competition conditions and entry fees.

SECTION 2 APPENDIX E - NATIONAL DISTRICT CHAMPIONSHIP

- 2.E.1 TSNZ shall organise an annual National District Championship (NDC).
- 2.E.2 The NDC shall be contested over 5 Rounds plus Semi Final & Final, on dates as set by Executive.
- 2.E.3 Match to be held on Association home range, unless dispensation given to use alternate range.
- 2.E.4 Teams, competitor format, points and bonus points to be managed as per the NDC Rules previously determined by the Executive and published prior to each competition annually.
- 2.E.7 The Executive to determine general competition conditions and entry fees.
- 2.E.8 Trophies presented to winner of each Division final, Certificates to top 5 shooters in each Division final, and top 3 Juniors.

SECTION 2 APPENDIX F - INDOOR TARGETS Specification – 2012

TSNZ Outward Gauging Target 2012 20yd and 25yd Specification

Card Specification
 Card Weight: 200 grams per square metre
 Card Material: Special, short grain
 Card colour: Light yellow
 Card Light Reflectance: Low
 Aiming mark colour: Black

Notes
 All the outsides of the scoring rings on the aiming marks are circular and concentric with one another.

Aiming Mark
 The target has 11 identical Aiming Marks positioned as shown on the dimensioned target at the bottom of the page.

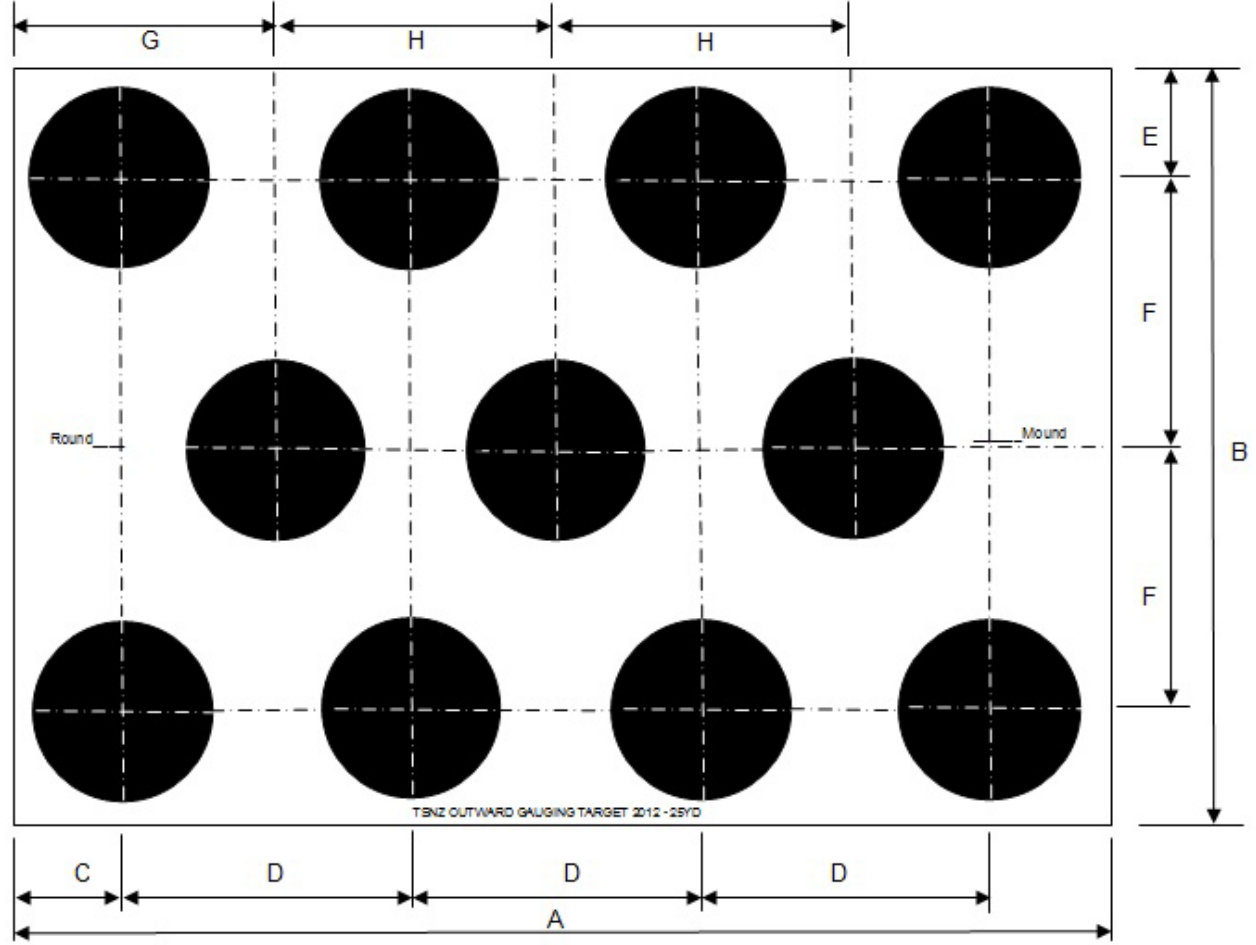


Dim	25.yds	20.yds	Units
A	350	280	mm
B	240	192	mm
C	48.3	38.6	mm
D	84.5	67.6	mm
E	46.8	37.5	mm
F	73.2	58.5	mm
G	90.5	72.4	mm
H	84.5	67.6	mm

Table showing Target Dimensions

Outside of	25.Yards Diameter	20.Yards Diameter	Units	Tolerance
Centre dot	0.75	1.72	mm	(±0.05mm)
Inner Gauging Ring	8.06	7.57	mm	(±0.05mm)
10 Ring	12.92	11.45	mm	(±0.05mm)
9 Ring	20.23	17.30	mm	(±0.1mm)
8 Ring	27.55	23.16	mm	(±0.1mm)
7 Ring	34.86	29.01	mm	(±0.1mm)
6 Ring	42.18	34.86	mm	(±0.2mm)
5 Ring	49.49	40.71	mm	(±0.2mm)
Black	51.40	41.10	mm	(±0.2mm)
Scoring Ring Thickness:	0.20	0.16	mm	

Table showing Aiming Mark Dimensions



Section 2 APPENDIX G - Electronic Targets

For competitions fired on electronic targets the equipment shall comprise of:

a) Hardware which must be approved by TSNZ. TSNZ reserves the right to have such equipment inspected and tested for accuracy at any time it deems fit;

AND

b) Software which must be:

i) originally supplied with the hardware, or subsequently installed with the approval of the hardware manufacturer and as per TSNZ specifications (see chart below)

AND

iii) which has not been altered by any unauthorised person.

Specifications for TSNZ Electronic Targets

Outside of	25 Yards Electronic Diameter (mm)	20 Yards Electronic Diameter (mm)
Inner Ring	10.50	9.50
10 Ring	12.90	11.50
9 Ring	20.20	17.30
8 Ring	27.60	23.20
7 Ring	34.90	29.00
6 Ring	42.20	34.90
5 Ring	49.50	40.70
Black	51.40	41.10
4 Ring	62.60	52.30