

**TARGET SHOOTING
NEW ZEALAND
INCORPORATED**



**RULES OF CONDUCT
OUTDOOR COMPETITION**

1 January 2025

TABLE OF CONTENTS

OUTDOOR COMPETITION

SECTION 3 - RULES OF CONDUCT - OUTDOOR COMPETITION	48
3.1 GENERAL (REF ISSF 7.1)	48
3.2 SAFETY (REF ISSF 7.2)	48
3.3 RANGE & TARGET STANDARDS (REF ISSF 7.3)	49
3.4 RIFLES, AMMUNITION, EQUIPMENT & CLOTHING STANDARDS (REF ISSF 7.4,7.5)	49
3.5 RIFLE EVENTS (REF ISSF 7.6)	50
3.6 EVENT PROCEDURES AND COMPETITION RULES (REF ISSF 7.7)	50
3.7 TARGET SCORING (REF ISSF 6.14, 6.10, ANNEX FOR PAPER TARGET SCORING)	52
3.8 GRADING OF MEMBERS	53
3.9 COMPETITION OFFICIALS	53
3.10 DESIGNATED MATCHES	54
3.11 POSTAL COMPETITIONS	55
3.12 OUTDOOR NATIONALS	55
3.13 INTER-ISLAND OUTDOOR TEAMS MATCHES	57
3.14 INTERNATIONAL MATCHES	58
3.15 NATIONAL AWARDS	58
SECTION 3 APPENDIX A - TSNZ LIAISON OFFICER.....	59
SECTION 3 APPENDIX B - PLUG GAUGE	60
SECTION 3 APPENDIX C - 50M OVERLAY DIMENSIONS	61

[Note – ISSF references are for ISSF Official Statutes Rules and Regulations Edition2017 Second Print V1.1 01/2018]

SECTION 3 - RULES OF CONDUCT - OUTDOOR COMPETITION

These Rules cover the conduct and management of Outdoor Competition at National and local level and shall be read in conjunction with current ISSF Rules. Any matter not covered shall be determined in compliance with the current ISSF Rules. All athletes wishing for International representation must comply with ISSF rules in all aspects.

3.1 GENERAL (Ref ISSF 7.1)

- 3.1.1 These Rules shall apply to all TSNZ sanctioned events, TSNZ Postal Championships, and Open Championship or Open Sweepstake events conducted by Associations and Directly Affiliated Clubs.
- 3.1.2 Competitors shall make themselves conversant with these rules and with the conditions of the competitions. Failure to comply with the rules, or engaging in any dishonest, discreditable or dangerous conduct at any competition sanctioned by TSNZ, shall render the competitor liable to such penalty as the Range Committee may decide. Subject to the discretion of the Range Committee, such conduct may also be reported to the TSNZ Executive, which may impose such other disciplinary action as it sees fit. Any competitor collaborating in such conduct may be liable to the same penalties. (See Rule 3.1.8 for appeals to TSNZ Executive)
- 3.1.3 Any competitor entering any competition under an assumed name or supplying incorrect information on the entry form shall be guilty of dishonest conduct and shall be dealt with by the Range Committee under the provisions of Rule 3.1.2. (See Rule 3.1.8 for appeals to TSNZ Executive)
- 3.1.4 Any system, practice, device or accessory which may give a competitor an advantage over others and which is not mentioned in these Rules, or which is contrary to the spirit of good sportsmanship, is prohibited.
- 3.1.5 Any order exhibited by the Range Committee at the point where entries are taken at any event shall be binding on all competitors. (See Rule 3.9.1.4)
- 3.1.6 Competitors must comply with the orders of the Range Officer but no competitor shall be disadvantaged through following any order given by a Range Officer.
- 3.1.7 All these Rules, and any orders issued in accordance with Rule 3.1.5, shall be subject to, and comply with, current NZ Firearms Legislation.
- 3.1.8 Any Member of TSNZ has the right to refer any matter, or appeal any local ruling, to the Executive of TSNZ, which shall be the final arbiter on disputes and matters of interest. These referrals or appeals shall be allowed by reasons of natural justice and interpretation of the intent of the TSNZ Outdoor Rules, and must be received by the TSNZ Executive within 28 days of the matter occurring or receipt of the local ruling.

3.1.9 DEFINITIONS OF COMPETITORS

First year competitor - one who has not been a shooting member of any rifle club of any calibre.

Junior - Competitors will remain as Juniors until the 31st of December of the year in which they become 21 years of age. Proof of age may be required.

Veteran - A competitor who is sixty years of age or over on the first day of the particular competition. Proof of age may be required.

3.1.10 ELIGIBILITY TO COMPETE

- 3.1.10.1 Subject to the special conditions of any competition, the following are eligible to compete in TSNZ sanctioned events:

In **Individual competitions** - any financial member of TSNZ;

In **Team competitions** - financial members of any rifle club affiliated to TSNZ. A competitor may represent more than one club during any year, but only in different competitions in that year;

In **Association competitions** - financial members of any Association affiliated to TSNZ. A competitor may represent more than one Association during any year, but only in different competitions in that year;

Overseas shooters may compete in any competition provided they are affiliated members of their National Association.

- 3.1.10.2 No shooter, Club, or Association not affiliated to TSNZ shall take part in any competition run by any affiliated body.

- 3.1.10.3 Unless otherwise specified in the conditions a Club or Association may enter any number of teams and take any number of prizes.

3.2 SAFETY (Ref ISSF 7.2)

- 3.2.1 The safety of competitors, range officials and spectators require continued attention to safe firearms handling. Self-discipline is necessary on the part of all concerned. Where such discipline is lacking, it is the duty of Range Officials to enforce discipline, and the duty of all members of TSNZ to assist and encourage such enforcement.
- 3.2.2 The Range Committee is responsible for overall safety. The Range Committee may establish further safety rules considered necessary for any particular venue.

- 3.2.3 The Chief Range Officer is responsible for giving any necessary commands.
- 3.2.4 The Range Officer is responsible for safety on the firing point and must ensure that the commands are obeyed and that all firearms are handled safely.
- 3.2.5 Any competitor who acts in an unsafe manner, or fails to respond to the commands of the Chief Range Officer, shall be required to stop firing immediately and the matter shall be reported to the Range Committee for consideration.
- 3.2.6 Any person who has consumed alcohol or other substance which may render him/her unsafe to handle firearms, shall not participate in any shooting competition while under the influence of the alcohol or other substance.
- 3.2.7 The actions of all rifles containing the bolt or lever action must remain open with a safety flag inserted at all times, except when on the firing point after the range officer has given instructions to remove safety flags.
- 3.2.8 Rifles must only be loaded on the firing point with the muzzle pointing forward of the firing line, after the command "SHOOTERS LOAD" or "SHOOTERS START" has been given.
- 3.2.9 The final locking of the action shall not take place until the butt of the rifle is in contact with the competitor's shoulder and the muzzle is pointed in a safe direction towards the target(s).
- 3.2.10 A rifle is considered to be loaded when a live round is on the loading ramp or in the breech, regardless of whether the action is open or closed, and at any time when the action is closed.
- 3.2.11 When the command "SHOOTERS STOP" is given, all competitors must stop shooting immediately, open their actions, leave them in the open position, and lower the butts to the ground. Shooting shall only resume when the command "SHOOTERS START" is given.
- 3.2.12 Should it be necessary for personnel to go forward of the firing line during the course of a detail (for instance to replace a target) the range officer shall give the cease fire command, and ensure that all rifles are unloaded with butts on the ground and safety flags inserted before allowing personnel on the range.
- 3.2.13 Dry fire and aiming exercises are permitted only with the permission of the Chief Range Officer, and only on the firing point or in a designated area.
- 3.2.14 During competition a firearm may be put down only after it has been unloaded and the action left open.
- 3.2.15 At the end of the detail the Chief Range Officer shall give the command "SHOOTERS, CLEAR ACTIONS, AND INSERT SAFETY FLAGS". Competitors shall respond by closing and opening the action and shall then insert a safety flag. The Range Officer shall verify that all actions are clear and safety flags are in before the rifles are taken from the firing point.
- 3.2.16 All competitors and other people in the immediate vicinity of the firing point are urged to wear earplugs, earmuffs or similar hearing protection.

3.3 RANGE & TARGET STANDARDS (Ref ISSF 7.3)

- 3.3.1 All ranges must be inspected and certified by a Range Safety Inspector appointed by the TSNZ Executive. Re-inspection shall be required when substantial alterations or modifications are made to the range. It is the responsibility of the affiliated body concerned to make application to TSNZ for any inspection.
- 3.3.2 Any target system may be used, providing it guarantees the necessary degree of safety, and efficient changing of the targets.
- 3.3.3 Where automatic target carriers or changers are used, the competitor may control target changing or may have the Assistant, where they are engaged, change the targets. Responsibility for shooting on the correct target rests solely with the competitor.
- 3.3.4 For single diagram targets, refer to **ISSF Rule 7.3: RANGE AND TARGET STANDARDS**.
- 3.3.5 For multi diagram targets, all measurements shall be taken to the centre of the card.
- 3.3.6 The 50 yard and 100 yard competition targets shall be as currently specified by the National Smallbore Rifle Association of the United Kingdom.

3.4 RIFLES, AMMUNITION, EQUIPMENT & CLOTHING STANDARDS (Ref ISSF 7.4,7.5)

- 3.4.1 Refer to **ISSF Rule 7.4 RIFLES AND AMMUNITION** and **7.5 CLOTHING REGULATIONS**.
- 3.4.2 Shooters who want to be included on the NZ Shooting Federation Ranking Lists and be eligible for selection to compete in International events should comply with ISSF Rules.
- 3.4.3 Shooters who want to be included on the NZSF ranking lists should advise the TSNZ Office by 31 December or other such date as the Executive may from time to time determine. Any shooter who fails to nominate before the start of the selection period may apply to TSNZ to have their name included, and TSNZ may approve such applications provided the shooter's equipment and clothing complies with **ISSF Rules 7.4 and 7.5**. Any infringement under the relevant ISSF Rules, Equipment & Clothing Standards (ISSF 7.4, 7.5) resulting in disqualification and loss of score, shall only apply to the NZSF Ranking List score.
- 3.4.4 Prone shooters not intending to compete internationally and who do not require their name to be listed on the NZSF ranking lists may use equipment and clothing which complies with the **TSNZ Indoor Rules**.
- 3.4.5 **Shooting Mats**

- 3.4.5.1 Refer to **ISSF Rule 6.4.7.2 FIRING POINT EQUIPMENT**.
- 3.4.5.2 Shooters are permitted to use private mats.
- 3.4.5.3 Private mats may be smaller than the minimum dimensions but must not exceed the maximum dimensions in **ISSF Rule 6.4.7.2 b**.

3.5 RIFLE EVENTS (Ref ISSF 7.6)

- 3.5.1 Refer to **ISSF Rule 7.6: SHOOTING EVENT PROCEDURES AND COMPETITION RULES**

3.5.2 PHYSICAL DISABILITY PROVISIONS

- 3.5.2.1 The Range Officer may authorise another person to act for any competitor who due to physical disability is unable to adjust the sights.
- 3.5.2.2 The use of a double arm sling, where such is necessary, is permitted.
- 3.5.2.3 The use of an artificial arm is permitted, provided it is being used solely as a substitute for a natural arm.
- 3.5.2.4 Any competitor who, by reason of physical handicap other than an artificial arm, cannot support a rifle in the manner required by these Rules may be granted a dispensation.
- 3.5.2.5 Any competitor suffering from defective eyesight and whose condition the provisions of Rule 3.4.4 cannot rectify may apply for dispensation to use additional optical aids.
- 3.5.2.6 Dispensations granted under this Section shall continue for not more than five years. Applications for renewal of a dispensation shall be made not less than three months prior to the expiry date of the dispensation in accordance with Rule 3.5.2.8.
- 3.5.2.7 Where a surgical procedure or other treatment is undertaken prior to the date of renewal to correct or modify a physical or optical disability for which a dispensation has been granted, the dispensation shall be void and a further application must be made if required.
- 3.5.2.8 Applications for dispensations shall be made to the Executive of TSNZ through the local Association and be accompanied by evidence sufficient to prove the dispensation is necessary to allow the applicant to participate in the sport to the best of their ability.

Medical certificates or Optometrist's certificates shall be considered the minimum evidence to be submitted. Photographs of any aids required are recommended.
- 3.5.2.9 Dispensations are not permitted or recognised for ISSF events.

3.6 EVENT PROCEDURES AND COMPETITION RULES (Ref ISSF 7.7)

- 3.6.1 **50m SHOOTING [Prone and 3P].** Refer to **ISSF Rule 7.7 RIFLE EVENTS** and **7.7.4 RIFLE EVENT TABLE**
- 3.6.1.1 Range standards and competition conditions for Designated Matches and other matches which are used for international selection shall be as close as practicable to ISSF Rules.
- 3.6.1.2 Other Championships conducted on paper targets and scored using target marking machines should be conducted as close as practicable to ISSF Rules. It is permissible to have one or two shots per competition target, however in all cases there must be four sighting targets.
- 3.6.1.3 When Target Machines are being used, and a shooter inadvertently starts on their match targets during sighting time, they should notify the Range Officer and restart their match scoring by firing extra shots on the first competition target(s). This is done without penalty and ISSF Rule 6.11.5 does not apply.
- 3.6.1.4 Championships conducted on paper targets and scored without target machines may be conducted to **Rule 3.6.2**
- 3.6.1.5 Where matches are conducted on Electronic Scoring Targets, ISSF Rules pertaining to their use will apply.
- 3.6.2 **50 YARDS AND 100 YARDS AND 50M MULTI-DIAGRAM SHOOTING**
- 3.6.2.1 Twenty, thirty, forty or sixty competition shots at each range, which may be split into twenty or thirty-shot courses, plus unlimited sighting shots for each course of fire which must be fired before the first competition shot of each course.
- 3.6.2.2 A minimum of one sighting diagram shall be provided for any course of fire.
- 3.6.2.3 The maximum number of shots which may be fired on a competition diagram is five at 50m or 50 yards, and ten at 100 yards.
- 3.6.2.4 Competition time, including sighting shots:

For a twenty-shot course:	30 minutes
For a thirty-shot course	40 minutes
For a forty-shot course:	50 minutes
For a sixty-shot course:	70 minutes

3.6.3 SHOOTING AND SQUADDING TIMES

- 3.6.3.1 Where self squadding applies all circulars or programmes for competitions shall state the opening and closing times of each day's squadding and/or shooting. Shooting shall be permitted on the range only between those times unless sanctioned by the Range Committee.
- 3.6.3.2 Where prior entry applies competitors and team officials shall be informed of the exact shooting time schedules and allocation of firing points by 4pm on the day preceding the day of pre-event training, if held, or by 4pm on the day before the competition if there is no provision for pre-event training.
- 3.6.3.3 Upon their names or numbers being called, competitors shall take their places on the firing point.
- 3.6.3.4 Competitors shall fire over the numbers on the firing point that correspond to the allocated target numbers.
- 3.6.3.5 Only competitors actually firing are allowed on the firing point, except in team's events where a coach is specifically permitted by the rules of the event. (See Rule 3.6.6.4)
- 3.6.3.6 Where a competition requires competitors to fire in more than one detail or squad, competitors may fire in consecutive details or squads provided they leave the firing point between details or squads.
- 3.6.3.7 A competitor who withdraws at any time after firing the first sighting shot in any competition shall not be replaced.
- 3.6.3.8 If a competition lasts for more than one day all competitors shall fire an equal number of shots each day.
- 3.6.3.9 The competition will commence on the command "SHOOTERS START", and time will be reckoned from that command. No shot may be fired until that command is given. Every shot fired after that command will be recorded for the competition.
- 3.6.3.10 The competition will end when the command "SHOOTERS STOP" is given and shooters shall stop shooting immediately.
- 3.6.3.11 Any shots fired before the start of the official shooting time, or after the end of the official shooting time, or not fired at all, shall be scored as misses.
- 3.6.3.12 **Competition Times** shall be in accordance with **ISSF Rules**.
- 3.6.3.13 **Sighting Shots** are permitted in accordance with **ISSF Rules**.
- 3.6.3.14 **Interruptions** – if any shooter is interrupted refer to **ISSF Rules 6.11.3 INTERRUPTIONS**.
- 3.6.3.15 **Malfunctions** – Refer to **ISSF Rule 6.13 MALFUNCTIONS**.

3.6.4 PRACTICE SHOOTING

- 3.6.4.1 Practice shooting shall be allowed where circumstances permit, but shall not be allowed before the start of competition on a competition day.

3.6.5 SPOTTING

- 3.6.5.1 In all competitions other than ISSF events, competitors may either spot for themselves or have their shots spotted by another person from the rear of the firing point.
- 3.6.5.2 Spotting is restricted solely to a description of the shot placement using the 'CLOCK' method. Spotters may not move on to the firing point, for any purpose, without the consent of the Range Officer. A spotter may also act as a coach for a shooter allowed coaching.

3.6.6 COACHING

- 3.6.6.1 For Coaching in ISSF Matches refer to **ISSF Rule 6.12.5 COACHING DURING ANY EVENT**.
- 3.6.6.2 Coaching, where a competitor receives advice or instructions, during a non-ISSF competition and where permitted by the conditions of those other competitions, may be carried out subject to the following conditions:
 - Individuals** - Coaching is permitted for C and D Grade shooters only, and may be conducted from the rear of the firing point only.
 - Teams** - Where permitted by the rules of the event, coaching is available to all team members and may be carried out on the mound provided other competitors are not disturbed.
- 3.6.6.3 Competitors may leave the firing point at any time, but shall not disturb any other competitor and shall not remove any equipment or firearm until the command "SHOOTERS CLEAR ACTIONS AND INSERT SAFETY FLAGS", has been given and observed (See Rule 3.2.14).
- 3.6.6.4 A competitor wishing to speak to another person must leave the firing point. This must be done without disturbing any other competitor and after unloading and leaving the firearm in a safe condition.
- 3.6.6.5 Team officials must not contact competitors directly or talk with them while they are on the firing point. A team official wishing to speak to a team member on the firing point must first obtain permission of the Range Officer who will arrange for the member to leave the firing point.

- 3.6.7 **PROTEST TIMES**
- 3.6.7.1 For Electronic Targets refer to **ISSF Rule 6.16.5.2 EST SCORE PROTESTS**.
- 3.6.7.2 For Paper Targets refer to **ISSF ANNEX Rules for Paper Target Scoring 5.5 PAPER TARGET SCORE PROTESTS**.
- 3.6.8 **TIE BREAKING**
- 3.6.8.1 For any matches advertised by the Organising Committee as being conducted under TSNZ or ISSF rules, ties shall be broken by the procedures contained in the current ISSF Rules.
- 3.6.9 **FINALS**
- 3.6.9.1 Finals may be conducted in Outdoor events for Prone and 3P matches.
- 3.6.9.2 If Finals are conducted on Electronic targets they must be conducted to **ISSF Rule 6.17 FINALS IN OLYMPIC RIFLE AND PISTOL EVENTS**.
- 3.6.9.3 If Finals are conducted on paper targets, and are scored using target marking machines, they should be conducted as close as practicable to ISSF Rules. Shooting times should be as in the ISSF Rules but may include extra time to allow for changing targets.
- 3.6.9.4 If Finals are conducted on paper targets, and if it is not possible to hold shoot-offs for ties, then ties shall be broken by the countback rules in **ISSF Rule 6.15.1 INDIVIDUAL TIES IN 10M, 25M, 50M AND 300M EVENTS**.
- 3.6.9.5 For Finals conducted on electronic targets, or for matches conducted on paper targets and scored with target marking machines, finalists should be selected according to the ISSF Rules for Finals.
- 3.6.9.6 For Finals shot on paper targets with no scoring machine available, the Final may be conducted similar to indoor competitions or to some other format approved by the Match Committee. Finalists may be selected by any method approved by the Match Committee. Conditions for Finals, if different from ISSF Rules, must be published before the Qualifying Match begins.

3.7 TARGET SCORING (Ref ISSF Annex Rules for Paper Target Scoring, 6.10, 6.14)

- 3.7.1 Refer to **ISSF Rule 6.14 SCORING AND RESULTS PROCEDURES, 6.10 EST Competition Operations and ANNEX Rules for Paper Target Scoring**.
- 3.7.2 Paper Targets may be scored with an approved target scoring machine or with plug gauges.
- 3.7.3 Target scoring machines or Electronic Scoring Targets (EST) shall be used for all Designated Matches and for any other matches where decimal scoring is required. When an obvious error has occurred using the Target scoring machine, a modified ISSF type Finals gauge, or an ISSF overlay may be used to determine the correct decimal or integer score, using Rule 3.7.10.
- 3.7.4 Scoring shall be carried out by competent people appointed by the local Association for Postal Competitions, or the Range Committee for other competitions. All scoring shall be carried out with two scorers working together.
- 3.7.5 For targets specified in Rule 3.5 the value of the shot shall be decided by the edge of the shot hole closest to the centre of the target. All shots are scored according to the highest value of the target-scoring ring that is hit by that bullet hole.
- 3.7.6 Shots that are in dispute must be determined as to value by means of a certified plug gauge or other approved device. When the flange of the gauge touches any part of the outside of a scoring ring the shot must be scored at the higher value. The dimensions of the plug gauge for scoring doubtful shots on 50 metre and on 50 and 100 yard targets shall be as specified in Section 3, APPENDIX B.
- 3.7.7 A plug gauge may be inserted only once in any bullet hole. When a gauge is inserted in a shot hole to determine the value of a shot, the gauge shall not be removed from the target until the shot value is finally determined.
- 3.7.8 Where a plug gauge has been inserted in a bullet hole the result of the testing is to be indicated with an 'I' if the shot is 'in' or 'O' if the shot is 'out'. Each scorer shall initial the target to indicate that the plug gauge has been inserted and, lastly, the score attributed to the shot will be indicated on the target in Arabic numerals.
- 3.7.9 When the plug gauge has been inserted and the two scorers do not agree on the value of the shot a decision from a check scorer shall be obtained. The check scorer shall initial the target and note it as to whether the shot was determined to be 'In' or 'Out', and, lastly, note the score attributed to the shot. Such decision shall be final.
- 3.7.10 When the accurate use of the plug gauge is made difficult by the close proximity of another bullet hole, the shot value must be determined by means of an engraved magnifying gauge (eg. "Eagle Eye") and transparent flat overlay to aid in reconstructing the position of the scoring ring, or to determine the number of bullet holes which overlap. See Section 3, APPENDIX C for dimensions of overlay. Where doubt exists as to the correct value, the competitor shall be given the higher shot value.
- 3.7.11 Where an event uses 25 yard indoor targets the scoring procedures shall be as prescribed in TSNZ Indoor Competition Rules.
- 3.7.12 Hits outside the scoring rings of the shooter's own target are scored as misses at all ranges.

- 3.7.13 For irregular shots (overloads and crossfires) refer to **ISSF Rule 6.11.5 IRREGULAR SHOTS , 6.11.6 CROSSFIRES, and ANNEX Rules for Paper Target Scoring 4.3 TOO MANY SHOTS PER PAPER TARGET**

3.8 GRADING OF MEMBERS

Note: Grading shall apply to prone shooting only. No grading shall apply to 3 Position Competitions.

- 3.8.1 TSNZ shall grade members for the purposes of the competitions specified in Rule 3.1.1.
- 3.8.2 For the purposes of grading all affiliated members shall hold a "Shooter's Performance Card" and shall enter all official club, championship and representative scores shot between 1 October and 31 March.
- 3.8.3 Official scores include all scores shot at any club, championship or representative match that are not marked as 'Practice' prior to being shot.
- 3.8.4 Affiliated members shall compute gradings by adding all scores as defined in Rule 3.8.2 and dividing the result by the total number of 10-shot strings involved.
- 3.8.5 Affiliated members shall not later than 10 April forward their completed "Shooters Performance Card" to their Club Secretary.
- 3.8.6 Club Secretaries shall retain the "Shooters Performance Cards" for 12 months.
- 3.8.7 Club Secretaries shall check the calculations on the "Shooter's Performance Cards" and enter the member's name, number, average score and grade on the "Club Grading Form" as supplied by TSNZ, and shall return the completed "Club Grading Form" to the TSNZ Executive Officer not later than 30 April.
- 3.8.8 The TSNZ Executive Officer shall not later than 30 September in each year supply each Association with a master list of all outdoor gradings.
- 3.8.9 A minimum of four thirty-shot official scores at 50 metres shall be required for grading purposes.
- 3.8.10 For grading purposes there shall be four grades:
- A Grade 97.00 - 100
 - B Grade 95.00 - 96.99
 - C Grade 92.50 - 94.99
 - D Grade 92.49 and under
- 3.8.11 The level of average score to be attained for each grade shall be determined by way of Remit to the TSNZ Annual General Meeting.
- 3.8.12 A first year competitor shall automatically be D Grade, subject to Rule 3.1.9.
- 3.8.13 An ungraded competitor may enter any competition upon provision of a certificate, signed by the member's Club Secretary, of the last four thirty-shot official scores prior to the competition.
- 3.8.14 A competitor who returns to the sport after having been absent for a period of less than three years shall recommence with the grading held prior to that absence.
- 3.8.15 A competitor who returns to the sport after having been absent for a period of more than three years shall be graded by his/her Club on the average of four thirty shot official scores.
- 3.8.16 The Club Secretary shall forward this grading to the TSNZ Executive Officer for an official grading and issue of a Membership Card in compliance with Rule 1.A.1.
- 3.8.17 TSNZ, Associations and Clubs reserve the right to grade a member who wishes to enter a championship but who has not yet obtained an official TSNZ grading or membership card. A currently graded indoor competitor wishing to enter an Outdoor competition without having obtained an official outdoor grading may enter as per the following schedule relating to their Indoor Grade obtained at the end of the Indoor Season immediately prior to the relevant Outdoor Season:
- | | | |
|--------------------------|---|-----------------|
| Indoor Master or A grade | = | Outdoor B Grade |
| Indoor B Grade | = | Outdoor C Grade |
| Indoor C and D Grade | = | Outdoor D Grade |
- 3.8.18 The onus of entering the correct grade rests with the competitor.

3.9 COMPETITION OFFICIALS

3.9.1 RANGE COMMITTEE

- 3.9.1.1 Rifle meetings shall be under the general control of a Range Committee that shall consist of at least three people. The Range Committee shall arbitrate on any matter arising during the meeting. The Committee's decisions shall be final but subject to the appeal provisions of Rule 3.1.8.
- 3.9.1.2 At the National Outdoor Championships the Range Committee's decisions may be appealed to an Appeal Committee, composed of three members, whose decisions shall be binding but subject to the appeal provisions of Rule 3.1.8. No member of the Range Committee who was involved in the original decision may be a member of the Appeal Committee.

- 3.9.1.3 The Range Committee shall verify the competence of the officials under its control to apply these Rules.
- 3.9.1.4 In all matters the Range Committee shall have regard to the ethics of good sportsmanship and the intent of these Rules, which is to provide fair and equitable conditions to all competitors, as far as is practicable.
- 3.9.1.5 Competitors shall not be present at any Range Committee meeting when matters concerning them are being discussed. A competitor shall have the right, if so desired, to state a case to the Committee at some period during the proceedings before a decision is made. Where teams are concerned the team captains or managers are entitled to state a case prior to the conclusion of the Range Committee's deliberations.

3.9.2 CHIEF RANGE OFFICER

- 3.9.2.1 A Chief Range Officer must be appointed for each range whether other Range Officers are appointed or not. A Chief Range Officer shall hold a current Firearms Licence and be:
 - 3.9.2.2 Responsible to the Range Committee for the conduct of the competition and must co-operate with members of the Range Committee at all times;
 - 3.9.2.3 Responsible for ensuring that unlicensed competitors on the firing point are adequately supervised by the holder of an appropriate Firearms License, as required by the Arms Act 1983, and subsequent amendments;
 - 3.9.2.4 In charge of all range personnel and is responsible for their correct conduct;
 - 3.9.2.5 Responsible for arranging the measures to be taken for the rapid correction of any technical fault that may occur (e.g. power failure, mechanical breakdown, etc.), and must have technical experts and necessary back up services available;
 - 3.9.2.6 Required to take charge when irregularities occur.

3.9.3 RANGE OFFICERS

- 3.9.3.1 Where Range Officers are appointed they shall be responsible to the Chief Range Officer for the following duties. Where no Range Officers are appointed the Chief Range Officer shall be responsible for:
 - 3.9.3.2 Ensuring the safe conduct of the shoot and for interrupting shooting in the interests of safety at any time;
 - 3.9.3.3 Ordering from the firing point any competitor whose equipment or behaviour constitutes a risk to safety;
 - 3.9.3.4 Checking the names and identification numbers of competitors to ensure they correspond with the start list;
 - 3.9.3.5 Ensuring any commands are obeyed;
 - 3.9.3.6 The accurate recording of shots by Register Keepers, where these are employed;
 - 3.9.3.7 Supervising the correct operation of the targets;
 - 3.9.3.8 Receiving protests and passing them on to a Range Committee member;
 - 3.9.3.9 Recording all disturbances, penalties, cross fires, extra time allowances, repeated shots, and other irregularities, on the report sheet.

3.9.4 COMPETITION JURY

- 3.9.4.1 A Jury should be appointed for Matches conducted to ISSF Rules.
- 3.9.4.2 Juries are responsible for advising, assisting and supervising the competition officials appointed by the Organizing Committee.
- 3.9.4.3 Jury members must hold a current ISSF Judges' Licence.
- 3.9.4.4 For Jury duties refer to **ISSF Rule 6.8 COMPETITION JURY DUTIES AND FUNCTIONS.**

3.10 DESIGNATED MATCHES

- 3.10.1 Designated Matches are those matches used by TSNZ as selection matches for various international events. TSNZ in conjunction with NZSF will determine which matches will be Designated Matches. These will be listed on the TSNZ website. There are a limited number of matches which may be held annually.
- 3.10.2 Any shooter wanting to attend international competitions such as World Cups, World Championships, Oceania Championships, Commonwealth Shooting Championships, Commonwealth Games or Olympic Games will need to attend some, or all, of these Designated Matches.
- 3.10.3 Designated Matches must be run as close as possible to ISSF Rules.
- 3.10.4 Any Club or Association wanting to hold a Designated Match may apply to TSNZ and will need to demonstrate their ability to hold a championship to ISSF Rules. Allocation of the limited number of Designated Matches will be decided on merit.

3.11 POSTAL COMPETITIONS

- 3.11.1 Annual Postal Competitions shall be arranged by TSNZ. The relevant advertisements shall be forwarded to Associations and Outdoor Clubs not later than the week following the TSNZ AGM in each year.
- 3.11.2 The postal competitions shall include an Individual Championship in all grades at 50 metres.
- 3.11.3 A competitor may shoot for teams in different grades or categories within the same TSNZ Postal Competition. No competitor may shoot for more than one team in any grade or category within the same TSNZ Postal Competition.
- 3.11.4 The postal match format shall be set out in the annual advertisement and may be amended by a TSNZ General Meeting.
- 3.11.5 Entries for postal competitions shall be made on the official TSNZ entry form and be accompanied by the required entry fee.
- 3.11.6 Entries for Postal Competitions shall not be accepted unless post marked prior to the advertised closing date.
- 3.11.7 The TSNZ Executive Officer shall issue sufficient numbered stickers for each competitor. One sticker is to be affixed behind a counting diagram for each 10-shot series.
- 3.11.8 All targets for each competition shall be shot on subject to the special conditions laid down for the competition.
- 3.11.9 Completed targets shall be returned to the Association-authorized marker for scoring, not later than the date specified. Directly Affiliated Clubs may either have targets scored by a local Association-authorized marker or return shot and witnessed targets to the TSNZ Executive Officer for scoring.
- 3.11.10 Any target received in a damaged condition, other than normal weather damage, may be discounted.
- 3.11.11 The local Association-authorized marker shall score targets in accordance with the rules for scoring. The local Association shall provide certified gauges for scoring.
- 3.11.12 The local Association or Club shall ensure the correct score has been entered on the results form and forward the scores to the Executive Officer by the date specified in the annual advertisement and shall hold shot competition targets and electronic target scoring printouts until the final results are distributed. Shot targets and electronic target scoring printouts shall be forwarded to the Executive Officer on request. Any target received in a damaged condition where the value of the shot cannot be properly determined shall be declared invalid, and any score found to be incorrectly applied shall be amended. Should any target(s) or electronic scoring printout(s) be unavailable for checking by the Executive Officer, or examination of the target(s)/printout(s) reveal that the rules of the competition have not been followed, the competitor shall be disqualified from the competition.
- 3.11.13 Results of the Postal Competitions shall be published and contain the scores of all competitors. Copies shall be sent to all local Associations and competing Clubs.
- 3.11.14 Postal Competition trophies shall be forwarded to the winners only if requested in writing. The TSNZ Executive shall require adequate guarantees for the return of all Postal Competition trophies in good order and condition.
- 3.11.15 **WITNESSES**
- 3.11.15.1 A Witness drawn from the following qualified people shall supervise the shooting of every Postal Competition target:
- A member of the TSNZ Executive;
 - A person appointed or approved by the TSNZ Executive.
- 3.11.15.2 Duties of Witnesses - the duties of the Witness shall be:
- To be conversant with these Rules of Conduct and the conditions of the competition;
 - To be present on the range during the entire shoot;
 - To ensure the stickers are correctly affixed to each target before the targets are placed on the target frames and the competitors are shooting the correct targets;
 - To sign and date each target after it has been shot;
 - To promptly advise the TSNZ Executive of any infringements of the rules.
- 3.11.15.3 A Witness may not witness their own shoot in any competition.
- 3.11.15.4 The TSNZ Executive reserves the right to appoint a special Witness.
- 3.11.15.5 Any club having difficulty in obtaining a Witness may apply to the local Association for assistance, and be prepared to pay reasonable out-of-pocket expenses, if required, to the person appointed.

3.12 OUTDOOR NATIONALS

- 3.12.1 A National Outdoor Championship shall be conducted annually, on a shoulder-to-shoulder basis, at a venue and by a

host Association, in conjunction with TSNZ, selected not less than three years ahead by a TSNZ Annual Meeting.

3.12.2 The venue shall alternate between the North and South Islands unless the TSNZ Annual General Meeting decides otherwise.

3.12.3 The event dates are required to incorporate the weekend designated **PLUS 17** on the TSNZ annual calendar. Where the Nationals conflict with an ISSF sanctioned event the TSNZ Executive, in consultation with the Host organising committee, may change the date of the Nationals, by no more than a week, to allow TSNZ members to compete, or officiate at both events. Such date changes to be promulgated as soon as advised by the ISSF of their dates but no later than 6 months prior to the scheduled date for the Nationals.

The National Outdoor Championship programme of events may be determined by the Host Association subject to Rule 3.12.5. Full details of the proposed programme of events must be provided to the TSNZ Executive not later than 30 September in the year prior to the event for their approval.

3.12.4 The National Outdoor Championship programme of events

i) MUST include:

3P National Championship	Men / Women - 3 x 20 shots plus Final
3P National Championship	Junior Men / Junior Women – 3 x 20 shots
50m Benchrest	All – 3 x 40 shots
50m Prone TSNZ **	Graded Match 1 – all grades 60 shots
50m Prone National Championship **	Junior Qualification – 60 shots
50m Prone National Championship **	Women's Elimination (if required) – 60 shots Women's Qualification – 60 shots
50m Prone National Championship **	Men's Elimination (if required) – 60 shots Men's Qualification – 60 shots
50m Prone Island Teams	Inter-Island Match – 60 shots
50m Prone NZ Teams	Slazenger / Wakefield / Women / Junior Teams – 60 shots
Presentation	Photographs and Award Function

** Events counting towards NZ Team Selection

ii) MAY include:

50m Prone	Badge Match, as determined by Host Association
50m Prone TSNZ **	Graded Match 2 – all grades 60 shots
50m Prone Association Teams	As determined by Host Association
Other Events	As determined by Host Association

3.12.5 The TSNZ Executive may approve variations to the proposed and/or agreed programme provided any such variations are approved prior to the distribution of the programme and entry forms.

3.12.6 Variations after the distribution of the programme and entry forms may be made only in the event of special circumstances (for example, after entries close too few entries received, or entry numbers exceed the range size, etc). Such variations must be approved by the TSNZ Executive, and must be as a result of consultation between the Host Association and TSNZ Liaison officer.

3.12.7 Any changes made after the distribution of the programme and entry forms must be publicised as soon as practically possible. Any changes made after close of entries must be distributed to all entered participants affected by the change within 24 hours of the change being approved.

3.12.8 International matches may be included in the programme.

3.12.9 All medals and representative pockets shall be presented at the social function arranged by the Host Association, except for Air Rifle and Three Position medals which may be presented on the day of competition.

3.12.10 TSNZ Medals shall be awarded by TSNZ for the New Zealand National Championship events at the National Outdoor Championships according to the current TSNZ Trophy Steward Guidelines.

3.12.11 Medals shall be awarded by TSNZ to three placings in all TSNZ Graded events, provided each recipient has completed the course of fire.

3.12.12 The type of award for the Badge Match is at the discretion of the Host Association. The type of award to be given each year must be clearly stated on the entry form.

3.12.13 Events shall not be conducted where there is only one entrant and that sole entrant must be notified at least seven days prior to the event.

3.12.14 DUTIES OF HOST ASSOCIATION

3.12.14.1 The Host Association shall be responsible for:

3.12.14.2 Obtaining approval of the TSNZ Executive for the National Outdoor Championship programme not later than 30 September in the year preceding the event;

3.12.14.3 Arranging distribution of the programme and entry forms to all local associations and outdoor clubs not later than 30

November prior to the Championships;

- 3.12.14.4 Providing an approved range with a minimum of twenty-two firing points;
- 3.12.14.5 Providing a list of recommended accommodation and all accommodation arrangements to be the responsibility of the individuals;
- 3.12.14.6 Arranging the programme for the event, including a social function;
- 3.12.14.7 Providing time in the programme for the introduction of teams and the presentation of team date bars;
- 3.12.14.8 Providing a minimum of three qualified target scorers and sufficient TSNZ-approved gauges;
- 3.12.14.9 Providing equipment and personnel for carrying out equipment and rifle checks;
- 3.12.14.10 Providing sufficient qualified personnel to serve as Range Officers, target changers, and the like;
- 3.12.14.11 Making provision for adequate practice for all participants on the days prior to the matches;
- 3.12.14.12 Making provision for the display of scores as they come to hand;
- 3.12.14.13 Providing a copy of the full results of the meeting to all competitors;
- 3.12.14.14 Arranging, where requested by the TSNZ Executive, for the marking of international postal teams matches shot during the National Outdoor Championships, including verification of scores for forwarding overseas;
- 3.12.14.15 Full co-operation with the Liaison Officer appointed by the TSNZ Executive to supervise arrangements for and conduct of the event. Refer to Section 3, APPENDIX A for the Liaison Officer's duties.
- 3.12.14.16 A Host Association may obtain assistance from other local Associations or Clubs.

3.13 INTER-ISLAND OUTDOOR TEAMS MATCHES

3.13.1 ELIGIBILITY, NOMINATION AND SELECTION

- 3.13.1.1 The Inter-Island Open match shall be competed for annually between teams comprising ten members and one emergency.
- 3.13.1.2 All competitors at the National Outdoor Championship shall be eligible for inclusion in the Inter-Island Teams by use of the following process:
- 3.13.1.3 Scores shall be aggregated to determine a ranking list for all competitors from the following events: Graded Match 1, Graded Match 2 (if shot), plus the first match shot of the TSNZ National Championship. Any score disqualification under Rule 3.4.3 shall not apply to eligibility or selection.
- 3.13.1.4 The top ten competitors from each Island shall be named as the Inter-Island teams with the 11th ranked competitor from each Island being named as the Emergency.

3.13.2 INTER ISLAND TEAM MANAGERS

- 3.13.2.1 Any member of TSNZ who wishes to nominate for the position of Manager of either of the teams defined in Rule 3.13.1 shall, not later than 1 December, submit his/her written nomination to the TSNZ Executive Officer.
- 3.13.2.2 The TSNZ Executive shall, not later than 20 January in the year of the event, appoint a Manager for each team.
- 3.13.2.3 The TSNZ Executive Officer shall provide all the necessary forms and stationery to the Team Managers when advising them of appointment.

3.13.3 INTER ISLAND MATCH DETAILS

- 3.13.3.1 The match shall be shot during the National Outdoor Championship and be conducted by the Host Association.
- 3.13.3.2 The match shall be shot over 50 metres and will consist of one sixty-shot match, which may be shot as two thirty-shot matches, by each team member and emergency.
- 3.13.3.3 The match shall be shot under TSNZ Outdoor Competition Rules and on the targets specified in Rule 3.3.
- 3.13.3.4 The match shall be shot shoulder-to-shoulder and squads shall be so arranged that no two members of either team occupy adjacent mounds.
- 3.13.3.5 The winning team shall be awarded the South Canterbury Jewellers Association Silver Tray to hold for one year. Ties shall be determined in the manner for deciding ties in Rule 3.6.8.
- 3.13.3.6 The team member or emergency who returns the highest score in the match shall be awarded the Goodwill Trophy to hold for one year. Ties for this trophy shall be decided in the manner for deciding individual ties set out in Rule 3.6.8.

3.13.4 INTER ISLAND REPRESENTATIVE AWARDS

- 3.13.4.1 On first representation in an Island Team each member and emergency shall be awarded a representative badge depicting the event plus a date bar for that year. On subsequent representation in the team a date bar only shall be

awarded.

- 3.13.4.2 Date bars shall be presented on the range and shall be recorded as issued. All new badges shall be presented at the social function.
- 3.13.4.3 The TSNZ Trophy Steward shall maintain a suitable logbook to record all Island and National representative team members and have such logbook present at the National Outdoor Championship.

3.14 INTERNATIONAL MATCHES

- 3.14.1 International matches as may be organized by TSNZ will be shot on the final day of the National Championships. TSNZ shall advise the host association all details on the Internationals to be included in the programme (including match rules) not later than 30th September in the year preceding the event.
- 3.14.2 The required number of shooters for any International match shall be named in order of ranking from the lists compiled in accordance with Rule 3.13.1.3. Conditions of the competition such as gender and age shall be acknowledged as required.
- 3.14.3 Competitors may be selected for more than one team, but shall only shoot one International match, with their score counting for all teams.
- 3.14.4 The team and course of fire shall be as specified in the rules for the match.
- 3.14.5 To be eligible for selection for International matches, shooters should comply with the equipment and clothing standards for that match.

3.15 NATIONAL AWARDS

- 3.15.1 On first representation in a National Team a member shall be awarded a New Zealand representative medal appropriate to the event and a date bar. On subsequent representation, a white date bar only will be awarded.
- 3.15.2 On first representation in a National Open Team a member shall be awarded a Silver Fern pocket bearing the words 'New Zealand Smallbore Rifle Team'.
- 3.15.3 On first representation in a National Women's Team a member shall be awarded a Silver Fern pocket bearing the words 'New Zealand Women's Smallbore Rifle Team'.
- 3.15.4 On first representation in a National Junior Team a member shall be awarded a Silver Fern pocket bearing the words "New Zealand Junior Smallbore Rifle Team".
- 3.15.5 Shooters who qualify for new National awards at the National Outdoor Championships shall have them presented at the social function.
- 3.15.6 National Awards shall only be granted for postal events where the team is assembled at one venue and the match is shot on a shoulder-to-shoulder basis on one calendar day.
- 3.15.7 Any shooter required to shoot as an emergency for any National team shall be considered to be part of the team, and shall be entitled to National Awards.
- 3.15.8 Silver Fern pockets shall only be worn on an approved blazer.

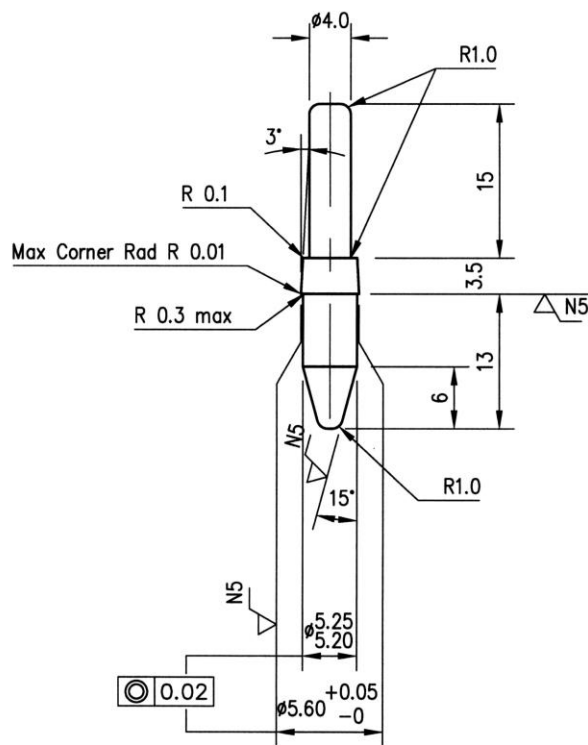
3.15.9 REPLACEMENT SILVER FERN POCKETS

One only additional pocket may be purchased from TSNZ, at a price to be fixed by the TSNZ Executive. Requests for replacement or additional pockets must be approved by the TSNZ Executive and recorded by the Trophy Steward. In exceptional circumstances (e.g. loss through fire or burglary) TSNZ may approve dispensation from this requirement.

SECTION 3 APPENDIX A - TSNZ LIAISON OFFICER

- Appointment:** The TSNZ Executive shall appoint the Liaison Officer.
The TSNZ Executive Officer shall advise the organisers of the event, and the Teams Managers, of the Liaison Officer's appointment.
- Criteria:** The Liaison Officer should reside within reasonable distance of the event venue.
The Liaison Officer shall be conversant with the rules and regulations of TSNZ.
The Liaison Officer where practicable shall be the holder of an ISSF Judges Licence.
- Powers:** The Liaison Officer shall be empowered to mediate on any dispute arising during the running of the event.
In the settling of disputes, the Liaison Officer shall have regard to the rules of competition, their intent, and the recognised code of good sportsmanship.
- Duties:** To consult with the organisers on any problems during the time leading up to the event;
To be readily available at all times during the event;
To inspect the following:
(a) The range, before and during the event;
(b) The setting up and retrieval of targets;
(c) Marking and recording of scores;
(d) The area available to competitors for their equipment;
To provide a written, detailed report on all disputes to the TSNZ Executive;
To provide, within a reasonable time after the event, a general report on problems and suggestions for future events.
- General:** The Liaison Officer must be involved in all disputes concerning the above areas.
The Liaison Officer will ensure only those persons directly concerned with any dispute are involved in deliberations.
The Liaison Officer may call on any of the following persons, at their discretion, to assist in the resolution of a dispute:
Team Managers;
Range Officers;
Range Committee;
Markers;
The principal event Organiser;
Members of the TSNZ Executive;
Any other person whose specialised expertise the Liaison Officer considers necessary to conclude any dispute.

SECTION 3 APPENDIX B - PLUG GAUGE

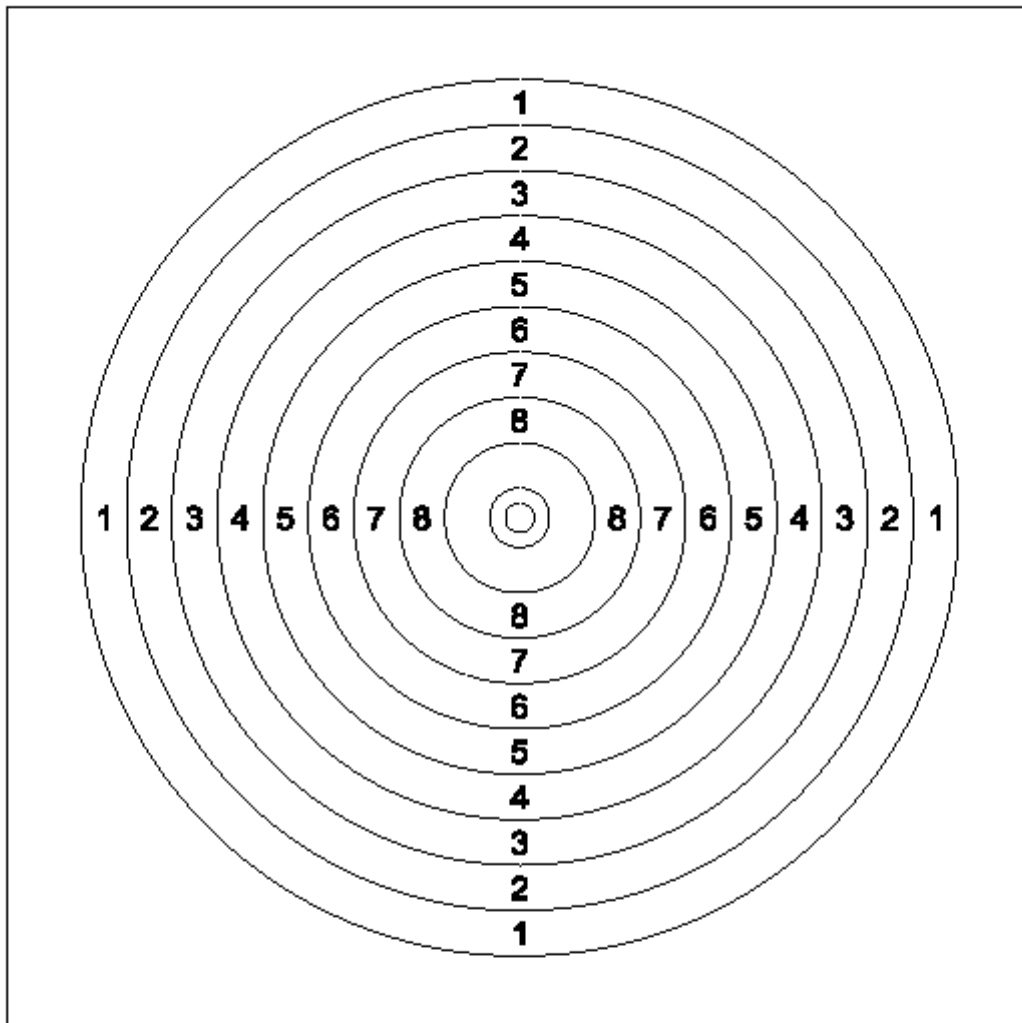


3	Updated for TSNZ	EA	12.08.07
2	Updated for TSNZ	EA	15/5/00
A	Issued for Approval	EA	10/5/98
	Revision	By	Date

$\text{◎} 0.02$ = Concentricity Tolerance
 Surface Finish as indicated N5 = 0.4 micron
 Surfaces not Designated N7 = 1.6 micron
 Material: 303 Stainless Steel

Drawn: E Adlam	TARGET SHOOTING NEW ZEALAND	Drawing No.
Date: 10 May 98		A4-604.4
A4 Scale: 2:1	Standard Smallbore Scoring Gauge Machining Details	Rev: 3

SECTION 3 APPENDIX C - 50M OVERLAY DIMENSIONS



10 Ring 10.4 mm (±0.1 mm) 5 Ring 90.4 mm (±0.5 mm)
9 Ring 26.4 mm (±0.1 mm) 4 Ring 106.4 mm (±0.5 mm)
8 Ring 42.4 mm (±0.2 mm) 3 Ring 122.4 mm (±0.5 mm)
7 Ring 58.4 mm (±0.5 mm) 2 Ring 138.4 mm (±0.5 mm)
6 Ring 74.4 mm (±0.5 mm) 1 Ring 154.4 mm (±0.5 mm)
Inner Ten Ring 5 mm (±0.1 mm)
Ring Thickness 0.2 to 0.3mm .